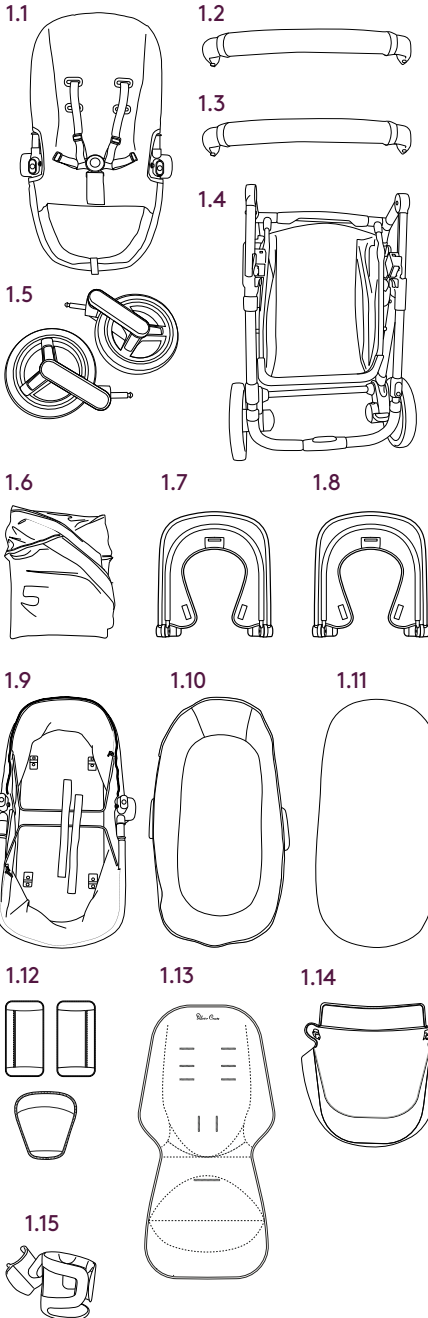


EST.  
1877

# Pacific

Pushchair and Carrycot

*Silver Cross*<sup>®</sup>

**IMPORTANT:**

READ THE INSTRUCTIONS CAREFULLY BEFORE USE AND KEEP FOR FUTURE REFERENCE

Your child's safety may be affected if you do not follow these instructions.

Your Pacific Pushchair is a high quality Silver Cross product. It meets current safety standards and care and regular light maintenance will ensure long service.

This pushchair is suitable from birth up to 9kg with the Carrycot from 6 months, up to 22kg or 4 years whichever comes first, using the Seat Unit. If somebody unfamiliar is using your Pacific Pushchair always ensure that they read these instructions carefully so that they understand how the product works best. The Pacific Pushchair is designed and tested to be used with the Pacific Carrycot and the Simplicity Car Seat (sold separately).

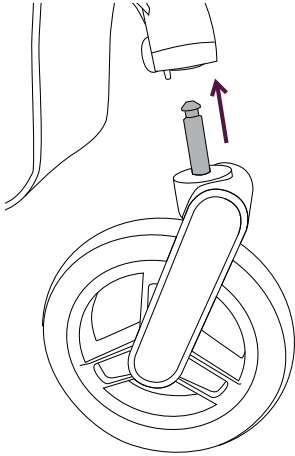
THE SAFETY OF YOUR CHILD IS YOUR RESPONSIBILITY.

**Contents**

First check all your parts have been supplied. Your Pacific pushchair includes:

- 1.1 Seat unit with harness
- 1.2 Seat unit bumper bar
- 1.3 Carrycot bumper bar
- 1.4 Chassis including basket
- 1.5 Front wheels
- 1.6 Rain cover
- 1.7 Seat unit hood
- 1.8 Carrycot hood
- 1.9 Carrycot outer
- 1.10 Carrycot liner
- 1.11 Carrycot mattress
- 1.12 Chest pads and crotch pad
- 1.13 Seat unit seat liner
- 1.14 Carrycot apron
- 1.15 Cup holder

2.1



## Preparation for use

Remove all packaging material from your Pacific pushchair. To use your Pacific pushchair from birth you must use the Pacific Carrycot (included).

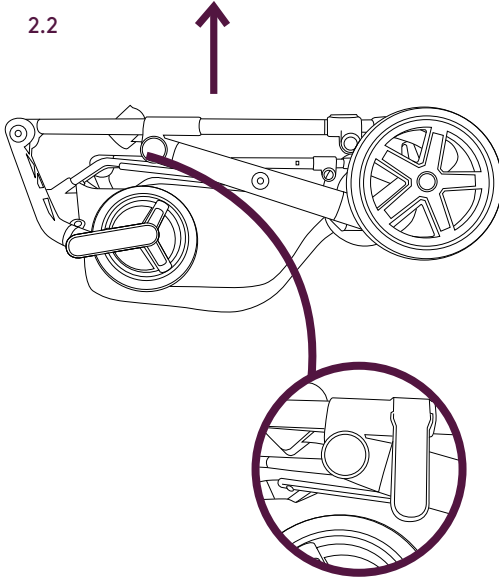
## Pacific chassis

- 2.1 Attach the front wheels by inserting the axles into the Pacific frame until they 'click' into position.
- 2.2 Release the folding lock and lift the handle upwards.

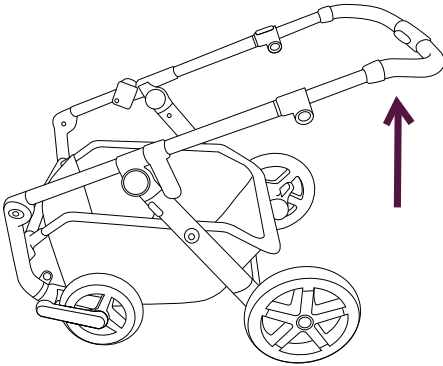
**WARNING: CHECK THE WHEEL IS SECURE BY PULLING GENTLY DOWNWARDS.**

**WARNING: CHECK THAT THE CARRYCOT OR SEAT UNIT OR CAR SEAT ATTACHMENT DEVICES ARE CORRECTLY ENGAGED BEFORE USE.**

2.2



## 2.3

**Pacific chassis**

- 2.3 Continue to lift the handle upwards until the frame 'clicks' and locks into position. Always check that the frame is secure.

**Using the brake**

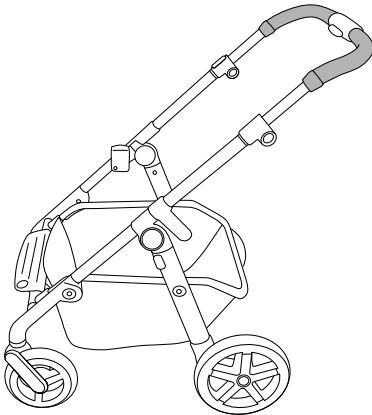
**WARNING: ALWAYS APPLY THE PARKING BRAKE WHEN YOU ARE STANDING STILL.**

**WARNING: ALWAYS APPLY THE BRAKE WHEN PLACING AND REMOVING THE CHILD.**

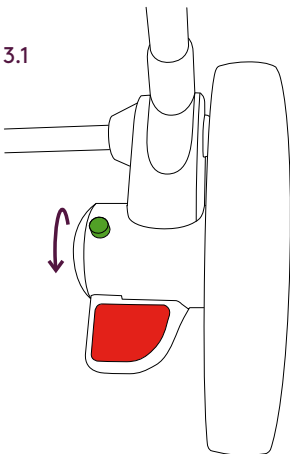
- 3.1 To engage the brake, press down on the red brake pedal. Listen for the 'click'.

**NOTE: Always check that your brake is fully engaged by gently rocking the pushchair.**

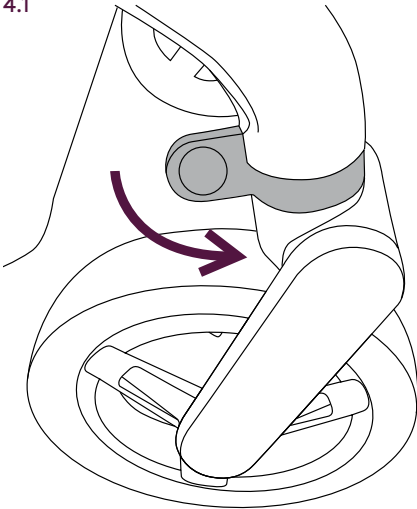
To disengage the brake, gently press down on the green brake release button. Rock the pushchair backwards before moving forward.



## 3.1



4.1



### Operating the swivel wheels

Your Pacific chassis has lockable front swivel wheels. We advise locking the front wheels if pushing the pushchair straight ahead for a long period.

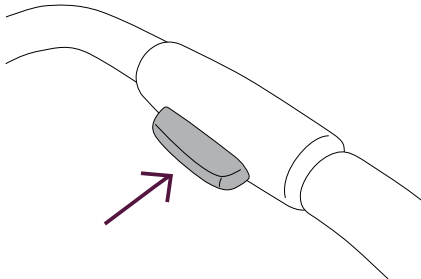
- 4.1 Rotate the swivel release lever sideways to lock the wheels into the fixed position.

Always apply brake when placing and removing the child.

### Operating the height adjustable handle

Your Pacific has a 4-position handle height.

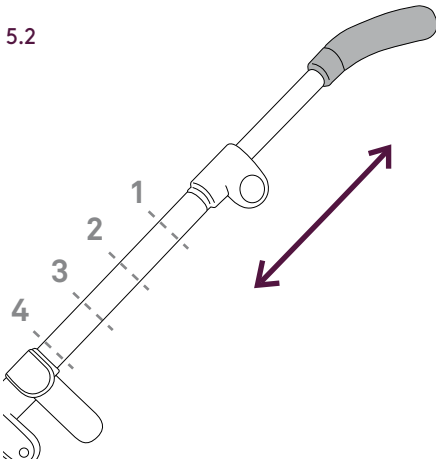
5.1



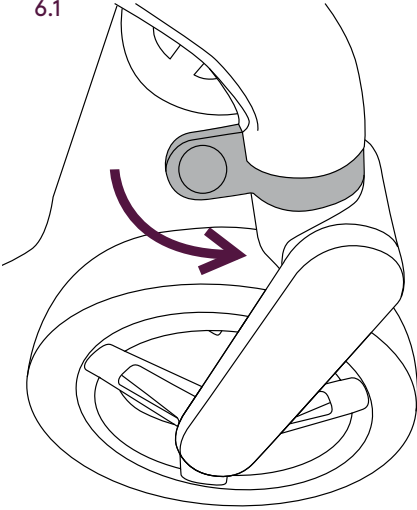
- 5.1 Press and hold the handle height adjustment/folding button.

- 5.2 Slide the handle up or down to required height and release the adjustment button. The handle will lock and 'click' into place.

5.2



6.1



### Folding your Pacific chassis

**NOTE:** To ensure your Pacific chassis folds correctly remove all items from the shopping basket before attempting to fold.

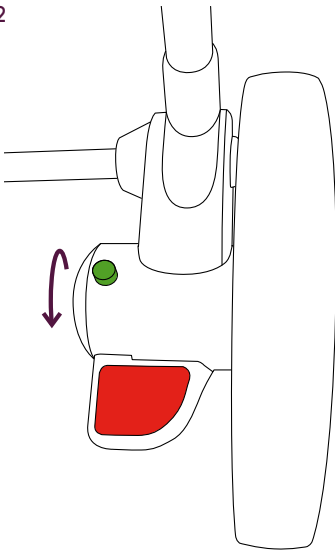
**NOTE:** If using as a travel system (with a car seat) or pram (with Pacific carrycot) please ensure each part has been removed before folding.

Your Pacific chassis can be folded with the seat unit attached and in a forward-facing, upright position. In all other positions it is recommended to remove the seat unit.

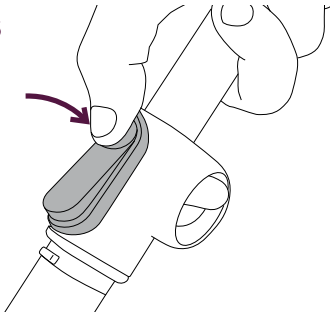
6.1 Ensure the swivel wheels are locked

6.2 Engage the brake pedal

6.2



6.3



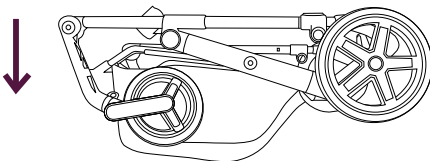
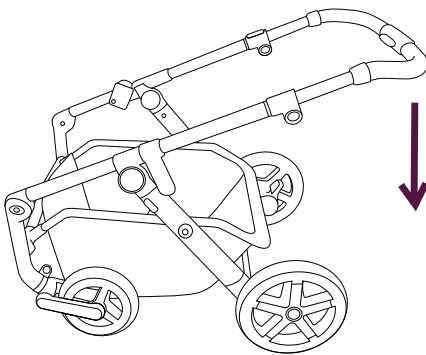
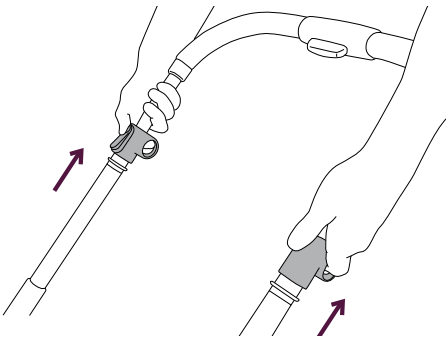
### Folding your Pacific chassis

- 6.3 Press and hold the fold release button. Pull the fold release triggers towards you. Push the handle downwards gently and lower the handle downwards until the fold lock engages. Lift the handle upwards gently to ensure that the chassis is folded correctly.

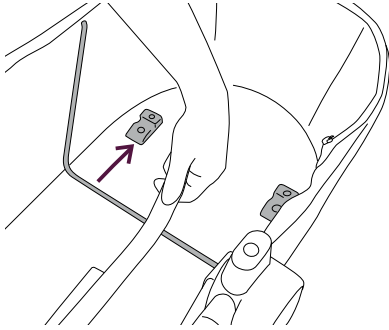
**WARNING: TO AVOID POSSIBLE INJURY OR DAMAGE, ALWAYS ENSURE THE STORAGE LATCH HAS BEEN ENGAGED BEFORE LIFTING THE PRAM/STROLLER.**

**CARRY THE PRAM USING THE MAIN HANDLE, ONCE STORAGE LATCH HAS BEEN ENGAGED.**

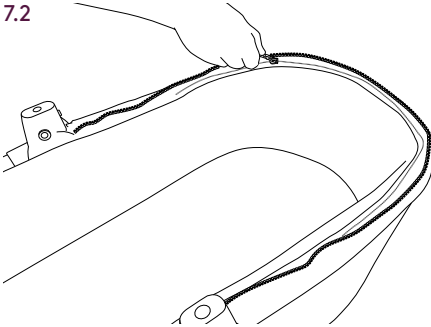
**WARNING: DUE CARE SHOULD BE TAKEN WHEN FOLDING AND UNFOLDING THIS PUSHCHAIR. PLEASE ENSURE FOLDING MECHANISMS ARE KEPT CLEAR TO AVOID POSSIBLE FINGER ENTRAPMENTS OR INJURIES TO PARTS OF THE BODY.**



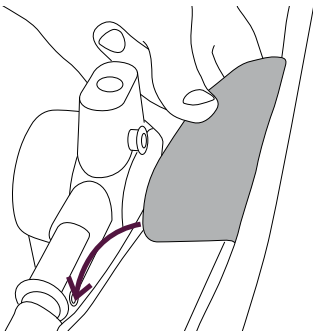
7.1



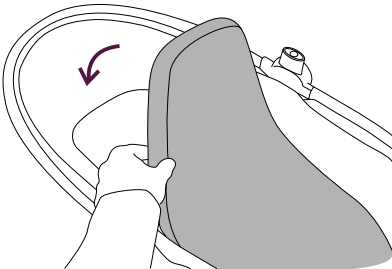
7.2



7.3



7.4



## Using your Pacific from birth with the carrycot

### Preparing the carrycot for use

Remove all packaging material from your Pacific carrycot.

- 7.1 First erect the carrycot outer. Lay the carrycot outer down onto its base. Press the 2x metal bars into the locators on internal base of carrycot. A small groove in the locator holds the frame in position.
- 7.2 Attach the carrycot liner to the carrycot outer. Fasten each inner zip. There is one at each end of the liner.
- 7.3 Pass the two D-shaped parts of the liner between the liner and the outer and fasten the Velcro patches to secure the liner in place.
- 7.4 Place the mattress into the base of the liner.

**WARNING: DO NOT LEAVE YOUR CHILD UNATTENDED.**

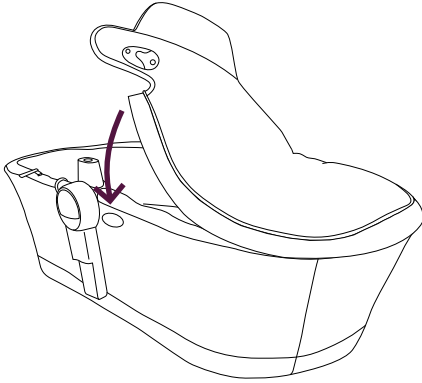
**WARNING: NEVER USE THE CARRYCOT ON A STAND.**

**WARNING: DO NOT LET OTHER CHILDREN PLAY UNATTENDED NEAR THE CARRYCOT.**

**CAUTION: Do not force the zip**



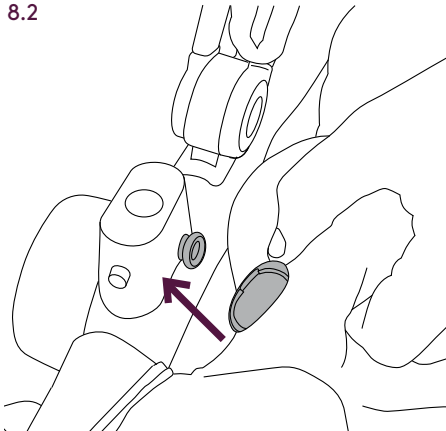
8.1



## Attaching the apron to the carrycot

- 8.1 Place the apron over the top of the carrycot and secure in place using the velcro tabs.
- 8.2 Slide the apron flap clips over the attachment points inside the carrycot frame.

8.2



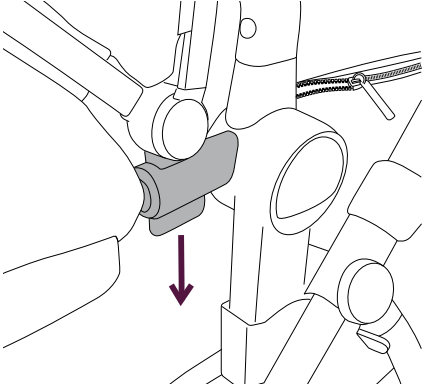
**THIS CARRYCOT IS SUITABLE FOR A CHILD WHO CANNOT SIT UP UNAIDED, ROLL OVER AND CANNOT PUSH ITSELF UP ON ITS HANDS AND KNEES. MAXIMUM WEIGHT OF CHILD: 9KG**

**WARNING: USE A HARNESS AS SOON AS YOUR CHILD CAN SIT UNAIDED.**

**WARNING: ONLY USE ON A FIRM, HORIZONTAL LEVEL AND DRY SURFACE.**

**CAUTION: The head of the child in the carrycot should never be lower than the body of the child.**

9.1



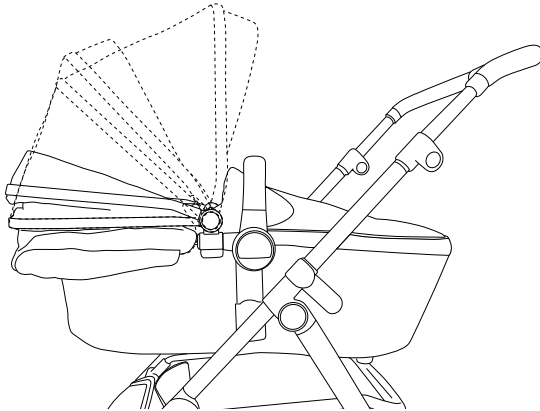
### Attaching the carrycot hood to the carrycot

- 9.1 Attach the hood by pressing the hood clips onto the slots on either side of the carrycot frame.

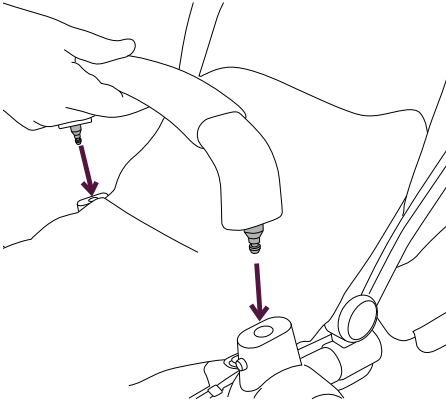
Slide the back of the Pacific hood over the rear edge of the carrycot.

- 9.2 Your Pacific hood can be used in 3 positions. Fully open, semi-open and fully covered.

9.2



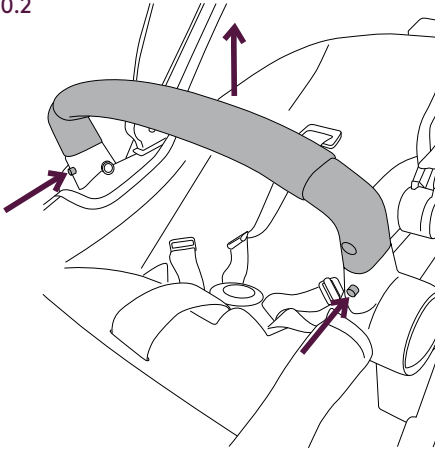
10.1



## Attaching the bumper bar to the carrycot or seat unit

- 10.1 Attach the bumper bar by pressing the ends of the bumper bar into the attachment points of the carrycot/seat unit frame. Wait to hear them 'click' into place. Lift gently to ensure the bumper bar is locked in place.
- 10.2 To detach, press the bumper bar release button on the carrycot/seat unit frame with one hand and pull the bumper bar away from the connector point with the other hand. The bumper bar will rotate.

10.2



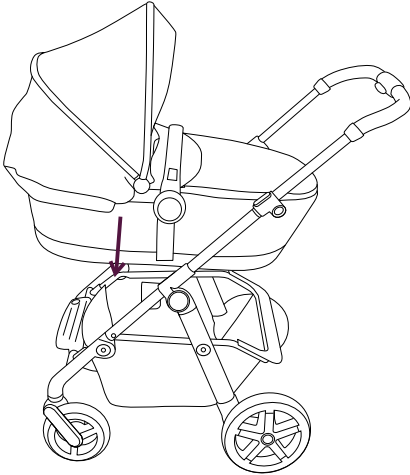
To detach both sides repeat point (10.2) above. With one side of the bumper bar removed the carrycot/seat unit is easily accessible.

**WARNING: THE BUMPER BAR MUST BE SECURELY CONNECTED AT ALL TIMES WHEN IN USE. THE SAFETY OF YOUR CHILD IS YOUR RESPONSIBILITY.**

**WARNING: ALWAYS REMOVE YOUR CHILD FROM THE SEAT UNIT BEFORE ATTEMPTING TO LIFT AND REMOVE THE SEAT UNIT.**

**WARNING: THE BUMPER BAR IS NOT A HANDLE.**

## 11.1

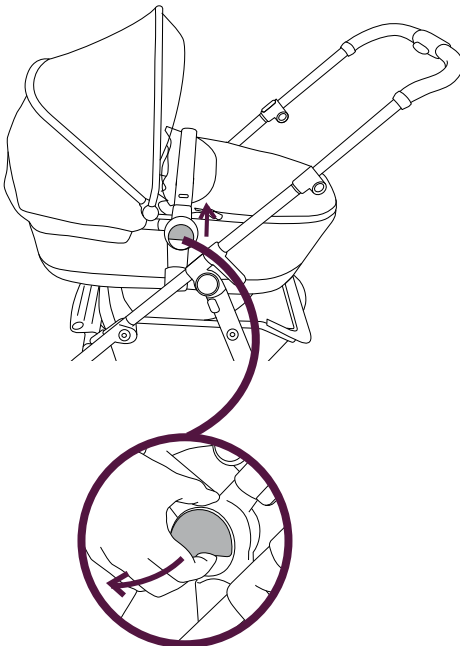


### Attaching the carrycot to your chassis

- 11.1 To attach your Pacific carrycot to the Pacific chassis hold the carrycot above the chassis. Locate the carrycot chassis connector posts into the attachment slots on the chassis. Ensure that the carrycot 'clicks' into place. The carrycot should be fitted rearward facing. Lift the carrycot gently by the bumper bar to check the carrycot has locked into place.

**WARNING: NEVER USE THIS CARRYCOT ON A STAND.**

## 11.2



### Detaching the carrycot from your chassis

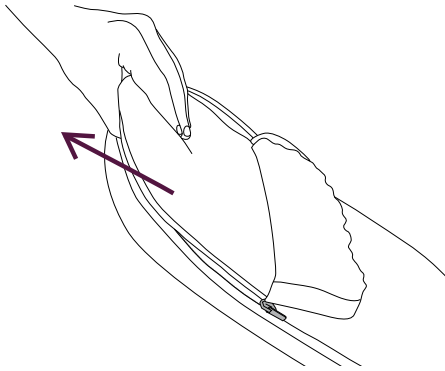
- 11.2 With the Pacific carrycot facing you, pull both carrycot release handles outwards and lift the carrycot clear of the chassis.

**Always ensure your bumper bar is attached when your child is in the carrycot.**

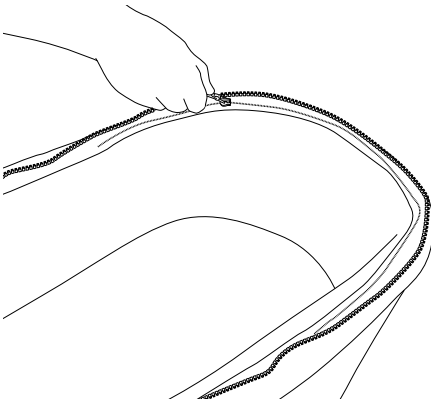
**This product is suitable for a child who cannot sit up by itself, roll over and cannot push its self up on its hands and knees. Max weight of child: 9kg.**

**CAUTION: Only use replacement parts supplied and approved by the manufacturer.**

12.1



12.2



## Using your liner and mattress

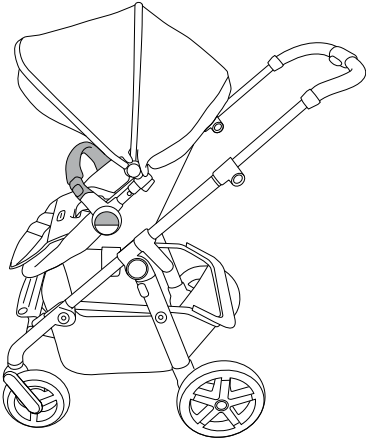
12.1 Your Pacific Carrycot mattress is removable. Simply lift it out of the liner. The mattress cover can be hand washed. Remove the foam mattress insert prior to washing by opening the flap on the back of the mattress cover and removing the foam mattress.

12.2 The Pacific Carrycot has a removable liner. Simply unzip each end and release the Velcro fastenings to remove it.

To fit the liner and mattress see preparation for use (see 7.1 - 7.4)

**WARNING: DO NOT ADD A MATTRESS OTHER THAN THE ONE PROVIDED.**

**CAUTION: Do not force the zip**

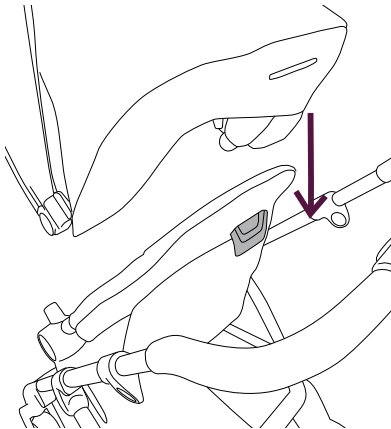


## Using your Pacific as a pushchair

Your Pacific seat unit can be fitted to the chassis in rearward-facing position (infant facing you) or forward-facing position (infant facing away from you). Follow (17.1) to attach the seat unit to the chassis.

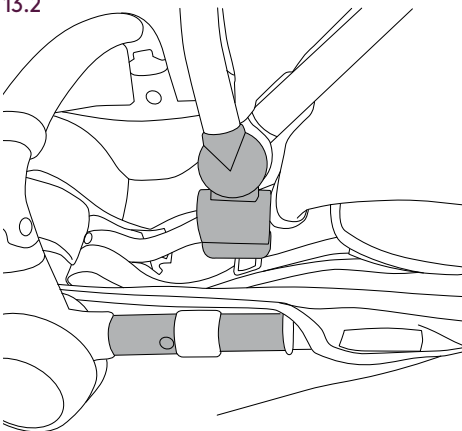
### Attaching the seat unit hood to the seat unit

13.1



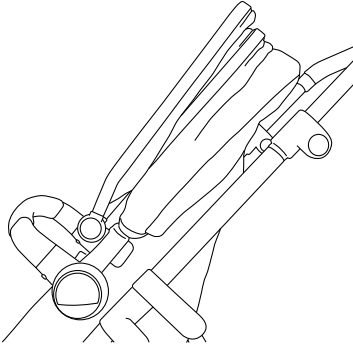
13.1 First, slide the back of the hood over the back of the seat unit. Locate the slot in the fabric at the back of the hood and slide over the seat recline adjustment lever.

13.2



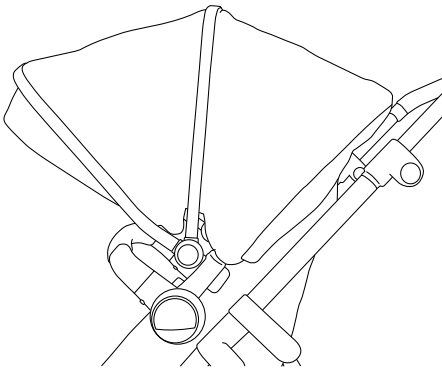
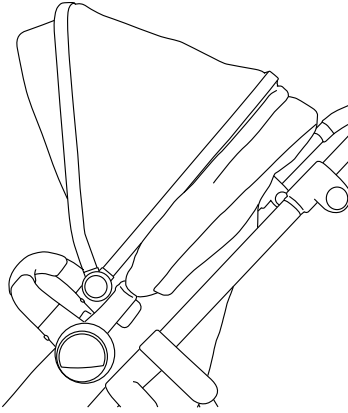
13.2 Attach the hood by pressing the hood clips onto the slots on either side of the seat unit frame. Note your Pacific pushchair has a function where you have the option to raise or lower the height of the hood provided. The height position can be adjusted by connecting the hood to one of the two height locations provided. Velcro the lower front corners of the hood onto the seat unit.

14.1

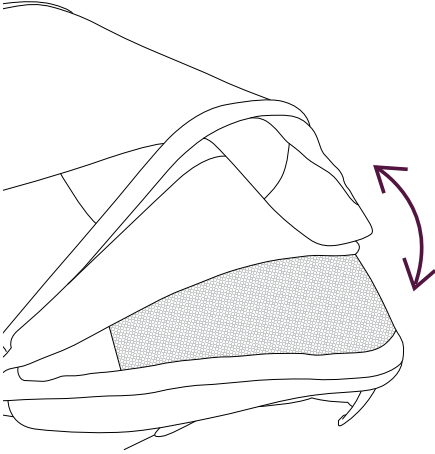


## Using your hood

14.1 Your Pacific hood can be used in 3 positions. Fully open, semi-open and fully covered.



## 14.2

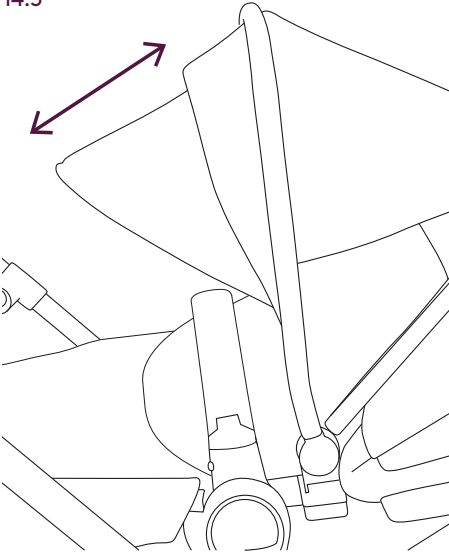
**Using your hood**

Your Pacific hood features a ventilation panel and pop-out sunvisor.

14.2 To open the ventilation panel, lift the flap and secure under the viewing window flap using the magnets either side of the hood.

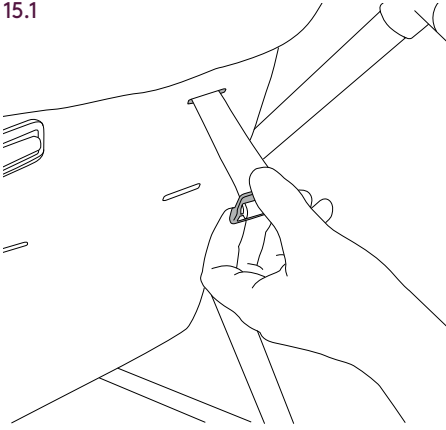
14.3 To use the sunvisor, pull out of the hood. To store, push back into the hood.

## 14.3





15.1



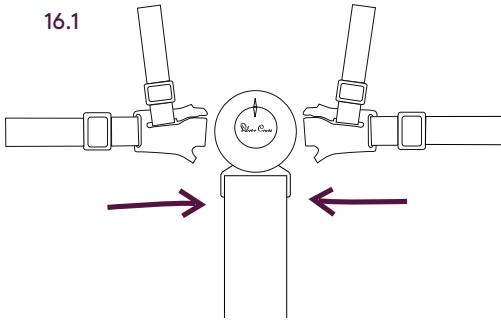
## Preparing the harness

15.1 The shoulder straps have 3 height positions. To adjust, first lift the flap on the back of the seat unit. Thread the harness buckle from the front of the seat unit through to the back of the seat unit and allow the buckle to lay flat behind the seat securing the shoulder strap in place.

Thread the harness through the button hole in the seat unit relative to the size of your child, and secure the harness buckle. (see 16.1).

**WARNING: THE HARNESS CAN FORM LOOPS WHICH MAY BE A STRANGULATION HAZARD. NEVER LEAVE THE HARNESS CONNECTED WHEN NOT FITTED TO A CHILD IN THE PUSHCHAIR.**

16.1

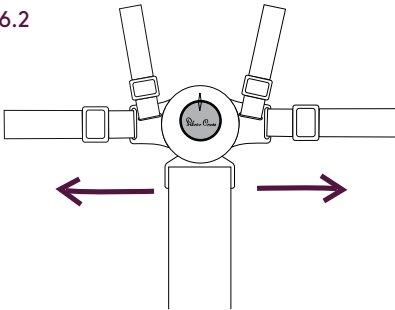


## Using the harness

**WARNING: ALWAYS USE THE CROTCH STRAP IN COMBINATION WITH THE WAIST AND SHOULDER STRAPS**

16.1 To fasten the harness insert both buckle clips into each side of the buckle. Listen for the 'click'.

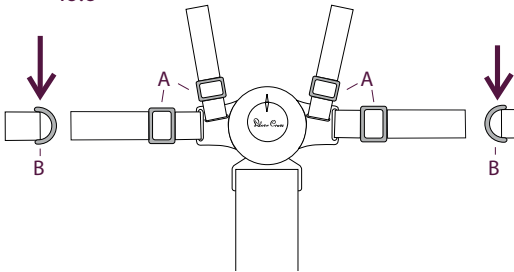
16.2



**WARNING: ALWAYS USE THE RESTRAINT SYSTEM.**

16.2 To release the harness press the button at the centre of the buckle and pull apart. The shoulder straps can be unhooked from the buckle if required.

16.3

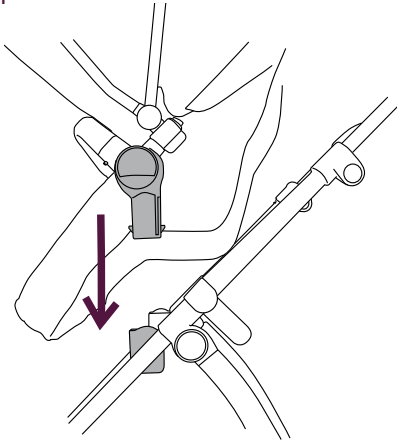


16.3 Your harness is fully adjustable by moving the slides (A), to make fitting easy. Your child should always be harnessed in and should never be left unattended, even for short periods of time.

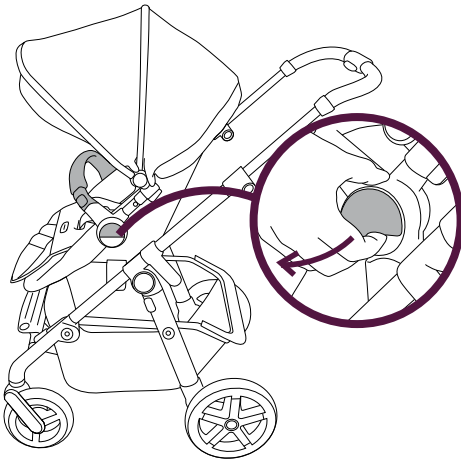
Your Pacific harness can be adjusted for the size of your child.

'D' rings are provided for fitting a separate harness if required (B).

17.1



17.2



## Attaching the seat unit to your chassis

**WARNING: ENSURE ALL LOCKING DEVICES ARE ENGAGED BEFORE USE.**

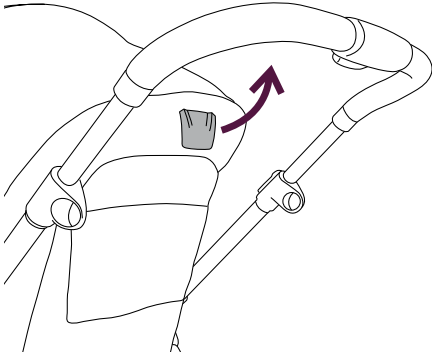
- 17.1 To attach your Pacific seat unit to the Pacific chassis hold the seat unit above the chassis. Locate the seat unit chassis connector posts into the seat attachment slots on the chassis. Ensure that the seat unit 'clicks' into place. The seat unit can be fitted forward or rearward facing. Lift the seat unit gently by the bumper bar to check the seat unit has locked into place. To adjust the seat position (see 18.1)

## Detaching the seat unit from your chassis

- 17.2 With the seat unit facing you, pull both seat release handles outwards and lift the seat unit clear of the chassis.

**CAUTION: Remove the child from the seat unit before detaching from your chassis.**

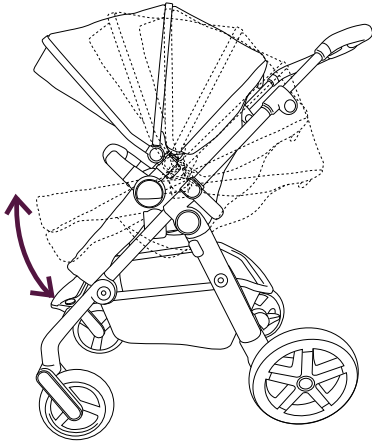
18.1



## Adjusting the seat position

Your Pacific has 3 forward-facing and 3 rearward-facing seat positions.

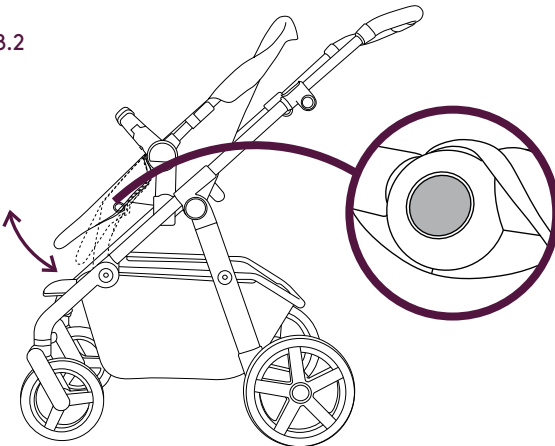
**18.1** To adjust the seat position in either forward or rearward facing mode, lift and hold the seat recline adjustment lever on the back of the seat unit. Move the seat unit upwards or downwards to upright, semi-recline or full recline. Release the recline adjustment lever and wait to hear a 'click' for each position to lock into place.



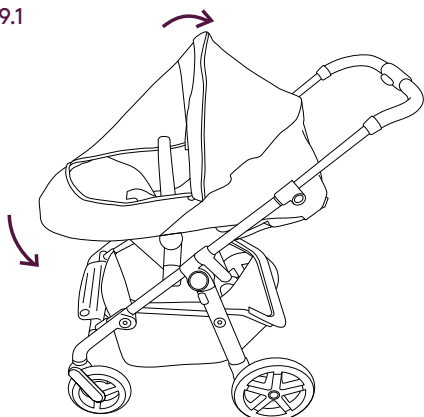
**18.2** Your Pacific has an adjustable multi-position footrest.

To adjust the footrest, press the adjuster buttons located on each side of the footrest. Once buttons are pressed gently adjust the footrest to its lowest position. Once in the lowest position you can gently lift the footrest up to a more desired position if required.

18.2



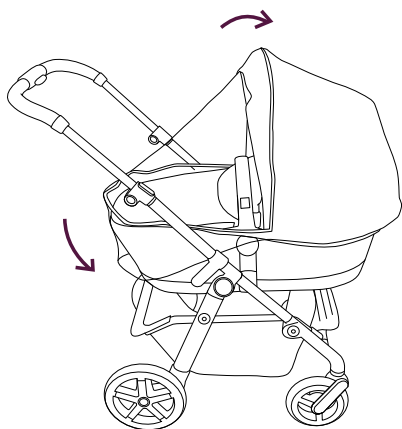
19.1



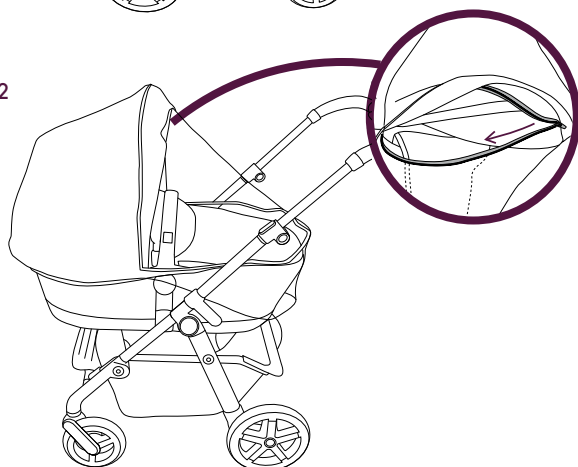
### Using your raincover with the carrycot or seat unit

19.1 Your Pacific raincover should be used when the Pacific hood is attached to either the seat unit or carrycot. First slide over the hood and down towards the toe of the seat unit or carrycot.

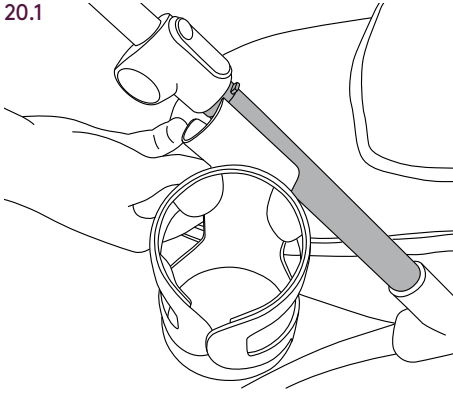
19.2 A zip gives easy access to your child.



19.2



20.1



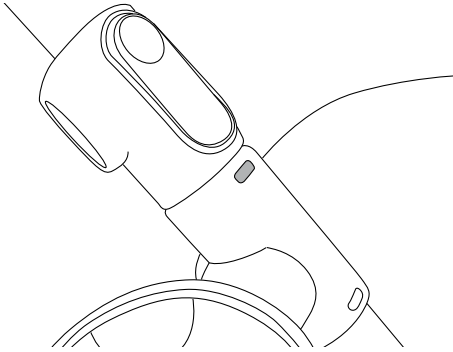
## Attaching the cup holder

20.1 The cup holder can be attached to either side of your Pacific pushchair handle. Attach the cup holder by clipping the cup holder clamp to your chassis on the lower part of the handle, ensuring your cup holder is the correct way up.

20.2 Ensure the cup holder is fastened correctly and the locating pin has been engaged.

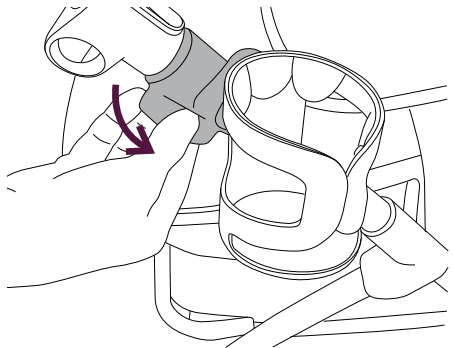
20.3 To remove the cup holder simply unclip the cup holder clamp from the Pacific pushchair handle.

20.2



**NOTE:** Although the cup holder can remain attached when folding your Pacific chassis, we recommend that the cup holder be removed before folding the chassis so that it doesn't get knocked or damaged during transporting or storing your chassis.

20.3



## Safety Notes

Your Pacific Pushchair is a high quality Silver Cross product. It complies with EN1888-1/2:2018 and with correct use and maintenance will give good service. If, however you should have any problems with your pushchair, please contact your Silver Cross retailer who will take appropriate action. The Pacific carrycot complies with EN: 1466:2014.

### WARNING:

**NEVER LEAVE YOUR CHILD UNATTENDED.**

**TO AVOID INJURY ENSURE THAT YOUR CHILD IS KEPT AWAY WHEN FOLDING AND UNFOLDING THIS PRODUCT.**

**ENSURE THAT ALL LOCKING DEVICES ARE ENGAGED BEFORE USE.**

**DO NOT CARRY MORE THAN ONE CHILD IN THIS PUSHCHAIR.**

**THIS PRODUCT IS NOT SUITABLE FOR RUNNING OR SKATING.**

**ENSURE THE PARKING DEVICES ARE ENGAGED WHEN PLACING AND REMOVING YOUR CHILD.**

**CHECK THAT THE PRAM BODY OR SEAT UNIT, OR CAR SEAT ATTACHMENT DEVICES ARE CORRECTLY ENGAGED BEFORE USE.**

**DO NOT LET YOUR CHILD PLAY WITH THIS PRODUCT.**

**DO NOT LET OTHER CHILDREN PLAY UNATTENDED NEAR THE CARRYCOT.**

**THIS SEAT UNIT IS NOT SUITABLE FOR CHILDREN UNDER 6 MONTHS.**

**THE CARRYCOT IS ONLY SUITABLE FOR A CHILD WHO CANNOT SIT UP UNAIDED.**

**ALWAYS USE THE RESTRAINT SYSTEM.**

**NEVER USE THE CARRY COT ON A STAND.**

**DO NOT USE IF ANY PART IS BROKEN, TORN OR MISSING.**

**BE AWARE OF THE RISK OF OPEN FIRES, GAS FIRES ETC. IN THE NEAR VICINITY OF THE CARRYCOT.**

**THE HANDLES AND THE BOTTOM OF THE CARRY COT SHOULD BE CHECKED REGULARLY FOR SIGNS OF DAMAGE AND WEAR.**

**ONLY THE MATTRESS PROVIDED SHOULD BE USED WITH THE CARRYCOT.**

**CAR SEATS DO NOT REPLACE A COT OR BED. SHOULD YOUR CHILD NEED TO SLEEP, THEN IT SHOULD BE PLACED IN A SUITABLE PRAM BODY, COT OR BED.**

**ANY LOAD ATTACHED TO THE HANDLE AND/OR BACKREST AND/OR SIDES OF THE VEHICLE WILL AFFECT STABILITY OF THE VEHICLE. A BABY'S SAFETY IS YOUR RESPONSIBILITY.**

**ONLY REPLACEMENT PARTS AND ACCESSORIES APPROVED BY SILVER CROSS SHOULD BE USED.**

**WARNING: BEFORE FOLDING YOUR PUSHCHAIR, THE CAR SEAT ADAPTORS MUST BE REMOVED, OTHERWISE DAMAGE WILL BE CAUSED.**

**WARNING: YOUR SIMPLICITY INFANT CARRIER SHOULD ALWAYS BE REARWARD FACING.**

**WARNING: THIS CAR SEAT DOES NOT REPLACE A COT OR BED. SHOULD YOUR CHILD NEED TO SLEEP THEN IT SHOULD BE PLACED IN A SUITABLE PRAM BODY OR COT.**

**WARNING: ONLY USE ON A FIRM HORIZONTAL AND DRY SURFACE – IF NOT BEING USED WITH PACIFIC CHASSIS.**

**CAUTION: THE HANDLE AND THE BOTTOM SHOULD BE INSPECTED REGULARLY FOR SIGNS OF DAMAGE AND WEAR.**

**CUP HOLDER:  
MAXIMUM LOAD = 340G**

**BASKET: MAXIMUM LOAD = 5KG**

The child should always wear a safety harness complying with BS6684. 'D' rings are provided for the attachment of an additional harness. These are located on the existing harness close to where it is attached to the seat frame. Do not hang shopping bags or other objects from the handle. This may cause the pushchair to tip up. Extra shopping or luggage should only be carried in the basket and should not exceed 5kg in weight, evenly distributed.

Always hold the seat when making adjustments.

Never try to fold your Pacific when the child is seated as this may trap the child. If you have difficulty in folding or unfolding the pushchair, do not force. This will cause damage. Read the "To fold or unfold" instructions carefully in the Pacific Instructions. It may be unsafe to fit accessories or spare parts other than those supplied or recommended by Silver Cross. If anyone other than the owner is going to use the Pushchair (e.g. grandparent, child minder), please show them how to use it correctly

## Care and Maintenance

### Chassis

Always check your pushchair for signs of wear. Regularly lubricate all moving parts. Check for freedom of movement of all locking devices. Polish metal work with a clean, dry cloth.

### Fabric items and seat unit

For fabric wash care instructions please refer to the care guide included with your pram. Keep away from direct heat and strong sunlight. A certain degree of fading may occur over time through everyday use. Never machine wash, tumble dry, iron or bleach.

Never leave accessories such as the Sunshade or raincover where heat and light may discolour the fabrics or distort the plastics, e.g. on the car parcel shelf in hot weather.



## Consignes de sécurité

Votre poussette Pacific est un produit de haute qualité de Silver Cross. Elle est conforme à la norme EN1888-1/2:2018 et, si elle est utilisée et entretenue correctement, elle offrira un service de qualité. Si vous deviez toutefois rencontrer le moindre problème avec votre poussette, veuillez contacter votre revendeur Silver Cross pour qu'il prenne les mesures adéquates. La nacelle Pacific est conforme à la norme EN: 1466:2014.

**AVERTISSEMENT :**

**CONFORME AUX EXIGENCIES DE SÉCURITÉ.**

**NE LAISSEZ JAMAIS VOTRE ENFANT SANS SURVEILLANCE.**

**IMPORTANT : CONSERVER CES INSTRUCTIONS POUR CONSULTATION ULTÉRIEURE.**

**TOUJOURS UTILISER LE SYSTEME DE RETENUE.**

**CET ARTICLE CONVIENT UN ENFANT QUI NE SAIT PAS S'ASSEOIR SEUL.**

**NE POSER QUE SUR UNE SURFACE PLANE, HORIZONTALE, FERME ET SÈCHE.**

**NE PAS LAISSER D'AUTRES ENFANTS JOUER SANS SURVEILLANCE À PROXIMITÉ DU COUFFIN.**

**NE PAS UTILISER SI L'UN DES ÉLÉMENTS DU COUFFIN EST CASSÉ, DÉCHIRÉ OU MANQUANT.**

**POUR ÉVITER LES BLESSURES, MAINTENEZ VOTRE ENFANT À L'ÉCART LORSQUE VOUS PLIEZ ET DÉPLIEZ CE PRODUIT.**

**ASSUREZ-VOUS QUE TOUS LES DISPOSITIFS DE VERROUILLAGE SONT ENCLENCHÉS AVANT UTILISATION.**

**NE TRANSPORTEZ PAS PLUS D'UN ENFANT DANS CETTE POUSSETTE.**

**CE PRODUIT NE CONVIENT PAS POUR FAIRE DU JOGGING OU DES PROMENADES EN ROLLERS.**

**ASSUREZ-VOUS QUE LES FREINS SONT ACTIONNÉS LORSQUE VOUS POSITIONNEZ ET RETIREZ VOTRE ENFANT.**

**VÉRIFIEZ QUE LES DISPOSITIFS DE FIXATION DE LA NACELLE, DU SIÈGE OU DU SIÈGE AUTO SONT CORRECTEMENT ENCLENCHÉS AVANT UTILISATION.**

**NE LAISSEZ PAS VOTRE ENFANT JOUER AVEC CE PRODUIT.**

**CE PRODUIT EST CONÇU UNIQUEMENT POUR LES ENFANTS QUI NE PEUVENT PAS S'ASSEOIR TOUT SEULS.**

**CE SIÈGE N'EST PAS CONÇU POUR LES ENFANTS DE MOINS DE 6 MOIS.**

**N'UTILISEZ PAS CE PRODUIT SI UNE DES PIÈCES EST CASSÉE, ABÎMÉE OU MANQUANTE.**

**NE SURÉLEVEZ JAMAIS LA NACELLE.**

**NE LAISSEZ PAS D'AUTRES ENFANTS JOUER SANS SURVEILLANCE À PROXIMITÉ DE LA NACELLE.**

**N'UTILISEZ PAS UN MATELAS AUTRE QUE CELUI FOURNI.**

**CE PRODUIT EST CONÇU POUR LES ENFANTS QUI NE PEUVENT PAS S'ASSEOIR TOUT SEULS, SE RETOURNER ET SE METTRE À QUATRE PATTES. POIDS MAX. DE L'ENFANT : 9 KG.**

**SOYEZ CONSCIENT DU RISQUE ENCOURU SI LA NACELLE SE TROUVE À PROXIMITÉ DE FLAMMES NUES ET AUTRES SOURCES DE CHALEUR INTENSE, COMME UN CHAUFFAGE ÉLECTRIQUE, AU GAZ, ETC.**

**VEILLEZ TOUJOURS À CE QUE L'ARCEAU DE MAINTIEN SOIT ATTACHÉ LORSQUE VOTRE ENFANT EST ASSIS DANS LE SIÈGE.**

**ASSUREZ-VOUS QUE TOUS LES DISPOSITIFS DE VERROUILLAGE SONT ENCLENCHÉS AVANT UTILISATION.**

**TOUJOURS UTILISER LE SYSTEME DE RETENUE.**

**VÉRIFIER QUE LES DISPOSITIFS DE FIXATION DE LA NACELLE, DU SIÈGE OU DU SIÈGE AUTO SONT CORRECTEMENT ENCLENCHÉS AVANT UTILISATION.**

**RETIREZ TOUJOURS VOTRE ENFANT DU SIÈGE AVANT DE SOULEVER LE SIÈGE POUR LE RETIRER DU CHÂSSIS.**

**ACTIONNEZ TOUJOURS LE FREIN LORSQUE VOUS ÊTES À L'ARRÊT.**

**VÉRIFIEZ QUE LES DISPOSITIFS DE FIXATION SIMPLICITY SONT CORRECTEMENT ENCLENCHÉS AVANT UTILISATION.**

**NE RETIREZ PAS LE SIÈGE AUTO SIMPLICITY SI LES ADAPTATEURS SONT ENCORE FIXÉS AU SIÈGE AUTO.**

**VOTRE SIÈGE AUTO SIMPLICITY DOIT TOUJOURS FAIRE FACE VERS L'ARRIÈRE.**

**TOUTE CHARGE ATTACHÉE À LA POIGNÉE/ET AU DOSSIER ET/OU SUR LES CÔTÉS DU VÉHICULE A UNE INCIDENCE SUR SA STABILITÉ. LA SÉCURITÉ DE VOTRE BÉBÉ EST VOTRE RESPONSABILITÉ.**

L'enfant doit toujours porter un harnais de sécurité conforme à la norme BS6684. Des anneaux en D sont fournis pour pouvoir attacher un harnais supplémentaire. Ils sont situés sur le harnais existant, à côté du point de fixation du harnais au châssis du siège. Ne suspendez pas des sacs à provisions ou autres objets à la poignée. La poussette risque de se renverser. Les bagages et sacs à provisions supplémentaires doivent être placés dans le panier, et leur poids (5 kg max.) doit être bien réparti. Tenez toujours le siège lorsque vous effectuez des réglages. N'oubliez pas d'actionner le frein.

N'essayez jamais de plier la poussette Pacific lorsque votre enfant est assis dedans, car il pourrait rester coincé. Si vous rencontrez des difficultés pour plier ou déplier la poussette, ne forcez pas. Vous risqueriez de l'endommager. Lisez attentivement les instructions « Pliage ou dépliage » contenues dans le manuel Pacific. Ne montez pas des accessoires ou pièces de rechange autres que ceux fournis ou recommandés par Silver Cross, car cela peut être dangereux. Si une personne autre que le propriétaire utilise la poussette (p. ex. les grands-parents ou la gardienne), montrez-lui comment l'utiliser correctement.

Attention : L'enfant doit être tenu à l'écart des pièces mobiles lorsque vous effectuez des réglages.

Ne laissez jamais votre enfant dans la poussette avec la housse pare-pluie complètement déployée pour un usage autre qu'en extérieur.

Toute charge posée sur la poignée, le dossier ou les bords de la poussette risque de compromettre la stabilité de la poussette. Vous êtes responsable de la sécurité de votre enfant.

Porte-gobelet : Charge max. = 340g N'utilisez que les accessoires et pièces de rechange approuvés par Silver Cross.

## Nettoyage et entretien

### Châssis

Vérifiez toujours que la poussette ne présente pas des traces d'usure. Lubrifiez régulièrement toutes les pièces mobiles. Vérifiez la liberté de mouvement de tous les dispositifs de verrouillage. Frottez les parties métalliques avec un chiffon propre et sec.

### Éléments textiles et siège

Pour les instructions d'entretien du tissu, veuillez vous référer au guide d'entretien fourni avec votre poussette. Conservez à l'écart d'une source de chaleur directe et de la lumière intense du soleil. Les couleurs peuvent s'altérer avec le temps. Ne lavez et ne séchez jamais en machine, ne repassez jamais et n'utilisez jamais d'eau de javel.

Ne laissez jamais des accessoires, tels que le pare-soleil ou la housse pare-pluie, à proximité d'une source de chaleur ou de lumière, car les couleurs du tissu peuvent s'altérer et le plastique se déformer (p. ex. sur la plage arrière de la voiture par temps chaud).

## Notas de seguridad

La silla Pacific es un producto de gran calidad de Silver Cross. Cumple la normativa EN1888-1/2:2018 y, si la utiliza adecuadamente y realiza un buen mantenimiento, le proporcionará un servicio excelente. No obstante, si tiene algún problema con su silla, póngase en contacto con el punto de venta de Silver Cross donde la adquirió para que se encargue de tomar las debidas medidas. El capazo Pacific cumple la normativa EN: 1466:2014.

### ADVERTENCIA:

**No deje al niño sin vigilancia en ningún momento.**

**Para evitar lesiones, asegúrese de que el niño se mantenga alejado al plegar y desplegar este producto.**

**Asegúrese de que todos los dispositivos de inmovilización estén accionados antes de su uso.**

**No transporte a más de un niño en esta silla.**

**Este producto no es apto para correr ni para patinar.**

**Asegúrese de que los frenos estén accionados al colocar y retirar al niño.**

**Compruebe que los dispositivos de sujeción (ya sean los del chasis, el asiento o la silla del coche) estén accionados correctamente antes de su uso.**

**No deje que el niño juegue con este producto.  
Este producto solo es apto para**

**los niños que no puedan sentarse sin ayuda.**

**Este asiento no es apto para niños menores de 6 meses.  
No lo utilice si alguna de sus piezas está rota o desgastada; , tampoco si falta alguna pieza.**

**Nunca utilice el capazo sobre un soporte/base.**

**No deje que otros niños jueguen cerca del capazo sin vigilancia.**

**No añada un colchón diferente al suministrado.**

**Este producto es apto para niños que no sepan sentarse, darse la vuelta ni ponerse a gatas por sí solos. Peso máx. del niño: 9 kg.**

**Sea consciente del riesgo que presentan las chimeneas y otras superficies que emitan altas temperaturas, como las chimeneas eléctricas, estufas de gas, etc. que puedan encontrarse cerca del capazo.**

**Asegúrese de que la barra protectora esté siempre sujeta cuando el niño esté en el asiento.**

**Asegúrese de que todos los dispositivos de inmovilización estén accionados antes de su uso.**

**Utilice siempre el sistema de retención suministrado.**

**Retire siempre al niño del asiento antes de intentar levantar y extraer el asiento.**

**Accione el freno siempre que se pare.**

**Compruebe que los dispositivos de sujeción Simplicity estén colocados correctamente antes de su uso. No extraiga el portabebés Simplicity con los adaptadores aún conectados al Simplicity.**

**El portabebés Simplicity siempre debe ir en el sentido contrario al de la marcha.**

El niño debe llevar siempre abrochado un arnés de seguridad que cumpla la normativa BS6684. Se proporcionan anillas en forma de "D" para sujetar otro arnés. Estas están situadas en el arnés existente, cerca del lugar donde está sujeto al armazón del asiento. No cuelgue las bolsas de la compra ni otros objetos del manillar; es posible que la silla vuelque. El equipaje o las compras adicionales se deben transportar únicamente en la cesta, no deben superar 5 kg de peso y deben distribuirse uniformemente. Sujete siempre el asiento cuando haga ajustes. Asegúrese de que el freno esté accionado.

Nunca intente plegar su Pacific cuando el niño esté sentado, ya que es posible que quede atrapado. Si le resulta difícil plegar y desplegar la silla, no la fuerce, ya que la dañará. Lea detenidamente la sección "Cómo plegar y desplegar" de las instrucciones de Pacific. Puede resultar peligroso instalar piezas de recambio o accesorios que no sean suministrados o recomendados por Silver Cross. Si alguien que no sea su propietario va a utilizar la sillita (por ejemplo, un abuelo, una niñera), enséñele cómo hacerlo correctamente.

**Precaución:** El niño debe estar lejos de las partes móviles mientras se hagan ajustes.

No deje en ningún momento al niño en la silla con la burbuja de lluvia totalmente colocada, excepto durante su uso normal en el exterior.

Toda carga que sujete al manillar, el respaldo o los laterales de este vehículo (ya sea a la vez o por separado) afectará a la estabilidad del mismo. Usted es responsable de la seguridad del bebé.

**Portavasos:** Carga máxima = 340g

Solo se deben utilizar accesorios y piezas de recambio autorizadas por Silver Cross.

## Cuidado y mantenimiento

### Chasis

Compruebe siempre si la silla presenta indicios de desgaste. Lubrique periódicamente todas las partes móviles. Compruebe que haya total libertad de movimiento en todos los dispositivos de inmovilización. Abrillante el metal con un paño limpio y seco.

### Componentes de tela y asiento

Consulte las instrucciones de lavado en la guía de cuidado incluida con su silla. Manténgase lejos de calor directo y de rayos de sol fuertes. Es posible que pierda el color en cierta medida con el uso diario. No los lave nunca a máquina, no los seque en la secadora, no los planche ni utilice lejía.

Nunca deje accesorios como el protector solar o la burbuja de lluvia en un lugar en el que el sol o la luz puedan decolorar los tejidos o deformar el plástico, p. ej. en la bandeja del maletero del coche en un día caluroso.

## **Norme di sicurezza**

Il passeggino Pacific è un prodotto Silver Cross di alta qualità. È conforme alla norma EN1888-1/2:2018 e con un uso e una manutenzione corretti garantisce un ottimo funzionamento. Se, tuttavia, si riscontrano problemi nell'utilizzo del passeggino, contattare il rivenditore Silver Cross che si adopererà per la risoluzione del problema. La culla da viaggio Pacific è conforme alla norma EN: 1466:2014.

### **AVVERTENZA:**

**Mai lasciare il bambino incustodito.**

**Per evitare infortuni assicurarsi che il bambino sia a debita distanza durante le operazioni di apertura e chiusura del passeggino.**

**Accertarsi che tutti i dispositivi di bloccaggio siano inseriti prima dell'uso.**

**Non trasportare più di un bambino nel passeggino.**

**Il prodotto non è adatto per correre o pattinare.**

**Accertarsi che il dispositivo di stazionamento sia sempre inserito durante il posizionamento e il sollevamento del bambino.**

**Controllare che i dispositivi di attacco del corpo del passeggino, del seggiolino, o del sedile dell'auto siano correttamente inseriti prima dell'uso.**

**Non lasciare che il bambino giochi con il prodotto. Il prodotto è solo adatto a bambini che non sono ancora in grado di stare seduti da soli.**

**Il passeggino non è idoneo all'utilizzo per bambini al di sotto dei 6 mesi. Non utilizzare in caso di parti rotte, strappate o mancanti.**

**Non usare mai la culla da viaggio su un piedistallo.**

**Non lasciare che altri bambini giochino incustoditi nelle vicinanze della culla da viaggio.**

**Non aggiungere un ulteriore materassino se non quello già in dotazione.**

**Questo prodotto è adatto ai bambini che non sono in grado di stare seduti da soli, di girarsi e di sollevarsi sulle mani e sulle ginocchia. Peso massimo del bambino: 9kg.**

**Stare attenti ai rischi che possono derivare da fiamme libere e da altre superfici fortemente riscaldate come quelle di stufe elettriche, stufe a gas ecc. che possono trovarsi in prossimità della culla da viaggio.**

**Accertarsi sempre che il bracciolo di protezione sia montato quando il bambino si trova nel passeggino.**

**Accertarsi che tutti i dispositivi di bloccaggio siano inseriti prima dell'uso.**

**Utilizzare sempre il sistema di ritenuta.**

**Fare scendere sempre il bambino prima di tentare di sollevare e rimuovere la seduta.**

**Azionare sempre il freno di stazionamento quando si è fermi.**

**Controllare che i dispositivi di attacco della culla Simplicity siano correttamente inseriti prima dell'uso.**

**Non rimuovere il portabebè Simplicity se gli adattatori sono ancora ad esso collegati.**

**Il portabebè Simplicity va sempre collocato in senso contrario alla marcia.**

Il bambino deve sempre indossare l'imbracatura in conformità alla norma BS6684. Gli anelli a 'D' sono forniti per il fissaggio di una ulteriore imbracatura. Essi sono posizionati sull'imbracatura già presente accanto al punto di fissaggio sulla base della seduta. Non appendere al manico borse della spesa o altri oggetti, che potrebbero provocare il ribaltamento del passeggino. Eventuali sacchetti o borse devono essere sistemati nel cesto per un peso complessivo non superiore ai 5kg, distribuiti in modo uniforme. Tenere sempre la seduta durante le operazioni di regolazione. Accertarsi che il freno sia azionato.

Non tentare mai di ripiegare il passeggino Pacific quando il bambino è seduto, perché potrebbe rimanere intrappolato. In caso di problemi durante la chiusura o l'apertura del passeggino, non forzare, in quanto il prodotto potrebbe essere danneggiato. Leggere attentamente le indicazioni

sull'apertura e la chiusura del passeggino contenute nelle Istruzioni Pacific. Potrebbe essere pericoloso montare parti di ricambio o accessori diversi da quelli forniti o raccomandati da Silver Cross. Se il passeggino viene utilizzato da soggetti diversi dal proprietario (ad es. nonno, baby sitter), illustrare loro l'uso corretto.

**Attenzione: tenere il bambino lontano dalle parti mobili durante le operazioni di regolazione.**

Non lasciare mai il bambino nel passeggino con il parapigioggia completamente montato, se non durante il normale impiego all'aperto.

Eventuali carichi presenti sul manico e/o sullo schienale e/o sulle parti laterali compromettono la stabilità del passeggino. La sicurezza del bambino è vostra responsabilità.

Portabebite: carico massimo = 340g

Utilizzare solo accessori e parti di ricambio approvate da Silver Cross.



---

## Cura e manutenzione

### Telaio

**Verificare sempre che sul passeggino non siano presenti segni di usura. Lubrificare regolarmente tutte le parti mobili. Verificare che i dispositivi di bloccaggio funzionino correttamente. Lucidare le parti in metallo con un panno pulito ed asciutto.**

### Parti in tessuto e seduta

Per le istruzioni per il lavaggio dei tessuti fare riferimento alla guida per la manutenzione in dotazione con il passeggino. Tenere lontano da fonti di calore e dalla luce diretta del sole. Con l'uso quotidiano, il tessuto può scolorire nel corso del tempo. Non lavare in lavatrice, non utilizzare asciugabiancheria, non stirare e non candeggiare.

Non lasciare mai gli accessori, come il parasole o il parapioggia, esposti al calore o alla luce, ad es. sulla cappelliera dell'auto durante la stagione calda, in quanto i tessuti potrebbero scolorire e/o la plastica potrebbe deformarsi.

## Sicherheitshinweise

Der Pacific-Kinderwagen ist ein hochwertiges Produkt von Silver Cross. Er entspricht EN1888-1/2:2018 und bei sachgemäßer Bedienung und Wartung werden Sie lange Freude daran haben. Sollten wider Erwarten Probleme mit dem Kinderwagen auftreten, wenden Sie sich an Ihren Silver Cross Händler, der Ihnen gerne weiterhilft. Die Pacific-Tragschale entspricht EN: 1466:2014.

### ACHTUNG:

**LASSEN SIE IHR KIND NIE UNBEAUFICHTIGT.**

**UM VERLETZUNGEN ZU VERMEIDEN, ACHTEN SIE DARAUF, DASS SICH DAS KIND BEIM AUFKLAFFEN ODER ZUSAMMENKLAFFEN DES PRODUKTS NICHT IN DER NÄHE BEFINDET.**

**STELLEN SIE VOR GEBRAUCH SICHER, DASS ALLE ARRETIERUNGEN FEST EINGERASTET SIND.**

**TRANSPORTIEREN SIE IN DIESEM KINDERWAGEN NICHT MEHR ALS EIN KIND.**

**DIESES PRODUKT EIGNET SICH NICHT ZUM JOGGEN ODER SKATEN.**

**ACHTEN SIE BEIM HERAUSNEHMEN ODER HINEINSETZEN DES KINDES DARAUF, DASS DIE FESTSTELLBREMSEN BETÄTIGT SIND.**

**VERGEWISSERN SIE SICH VOR GEBRAUCH, DASS DIE TRAGSCHALE**

**BZW. DER SITZ UND DIE KINDERSITZHALTERUNGEN ORDNUNGSGEMÄSS ARRETIERT SIND.**

**LASSEN SIE DAS KIND NICHT MIT DIESEM PRODUKT SPIELEN.**

**LASSEN SIE ANDERE KINDER NICHT UNBEAUFICHTIGT IN DER NÄHE DER TRAGSCHALE SPIELEN.**

**DIESER SITZ EIGNET SICH NICHT FÜR KINDER UNTER 6 MONATEN.**

**DIE TRAGSCHALE IST NUR FÜR EIN KIND GEEIGNET, DAS OHNE HILFE NICHT SITZEN KANN.**

**VERWENDEN SIE IMMER DAS GURTSYSTEM.**

**DIE TRAGSCHALE DARF NIE AUF EINEN STÄNDER GELEGT WERDEN.**

**VERWENDEN SIE DAS PRODUKT NICHT WEITER, WENN EIN TEIL GEBROCHEN ODER GERISSEN IST ODER FEHLT.**

**SEIEN SIE SICH DER GEFAHREN DURCH OFFENES FEUER, GASFLAMMEN USW. IN NÄCHSTER NÄHE ZUR TRAGSCHALE BEWUSST.**

**DIE GRIFFE UND DIE UNTERSEITE DER TRAGSCHALE SOLLTEN REGELMÄSSIG AUF ANZEICHEN VON SCHÄDEN UND VERSCHLEISS GEPRÜFT WERDEN.**

**VERWENDEN SIE AUSSCHLIESSLICH DIE MITGELIEFERTE MATRATZE**

## ZUSAMMEN MIT DER TRAGSCHALE.

**AUTOKINDERSITZE SIND KEIN ERSATZ FÜR EIN KINDERBETT. LEGEN SIE IHR KIND ZUM SCHLAFEN IN EINE GEEIGNETE KINDERWAGENTRAGSCHALE ODER EIN KINDERBETT.**

**LASTEN AM GRIFF, AN DER LEHNE UND/ODER AN DER SEITE DES KINDERWAGENS GEFÄHRDEN DESSEN STANDFESTIGKEIT. SIE TRAGEN DIE VERANTWORTUNG FÜR DIE SICHERHEIT IHRES BABYS.**

**VERWENDEN SIE AUSSCHLIESSLICH VON SILVER CROSS GENEHMIGTE ERSATZ- UND ZUBEHÖRTEILE.**

**BECHERHALTER: TRAGFÄHIGKEIT = 340 G**

**ABLAGEKORB: TRAGFÄHIGKEIT = 5 KG**

Das Kind muss immer mit einem Sicherheitsgurt gemäß BS6684 angeschnallt sein. „D“-Ringe für die Befestigung eines weiteren Gurts sind vorhanden. Diese befinden sich am vorhandenen Gurt nahe an der Stelle, an der dieser am Sitzrahmen befestigt ist. Hängen Sie keine Einkaufstaschen oder sonstige Lasten an den Griff. Andernfalls könnte der Kinderwagen kippen. Transportieren Sie Einkäufe oder sonstige Lasten im Ablagekorb. Verteilen Sie sie gleichmäßig und achten Sie darauf, das Höchstgewicht von 5 kg nicht zu überschreiten.

Halten Sie beim Einstellen immer den Sitz fest.

Versuchen Sie unter keinen Umständen, den Pacific-Kinderwagen zusammenzuklappen, solange das Kind darin sitzt. Andernfalls könnte es im Kinderwagen eingeklemmt werden. Wenn beim Auf- oder Zusammenklappen des Kinderwagens Probleme auftreten, gehen Sie nicht mit Gewalt vor. Andernfalls kann es zu Schäden kommen. Lesen Sie die Anweisungen zum Auf- und Zusammenklappen in der Pacific-Anleitung sorgfältig durch. Wenn Sie andere Zubehör- oder Ersatzteile als die von Silver Cross gelieferten oder empfohlenen anbringen, kann die Sicherheit nicht gewährleistet werden. Sollte eine andere Person diesen Kinderwagen verwenden (beispielsweise Großeltern, Tagesmutter), weisen Sie sie bitte in den korrekten Gebrauch ein.

## **Pflege und Wartung**

### **Gestell**

Prüfen Sie den Kinderwagen immer auf Verschleißerscheinungen. Schmieren Sie alle beweglichen Teile regelmäßig. Prüfen Sie, ob alle Arretiervorrichtungen frei beweglich sind. Polieren Sie Metallteile mit einem sauberen, trockenen Tuch.

### **Stoffbezüge und Sitz**

Bitte beachten Sie die Pflegeanleitung zum Kinderwagen. Dort finden Sie Erläuterungen zur Pflege der Stoffbezüge. Schützen Sie textile Materialien vor direkter Hitzeeinwirkung und starker Sonneneinstrahlung. Bei täglichem Gebrauch können die Farben im Lauf der Zeit etwas ausbleichen. Waschen Sie die Teile auf keinen Fall in der Waschmaschine, geben Sie sie nicht in den Trockner und bügeln oder bleichen Sie sie nicht.

Schützen Sie Zubehör wie den Sonnen- oder Regenschutz vor Hitze und Lichteinstrahlung, die die Farben ausbleichen oder Kunststoffteile verformen könnten. Legen Sie das Zubehör beispielsweise nicht bei warmem Wetter auf die Hutablage im Auto.

## Säkerhetsmeddelanden

Pacific barnvagn är en högkvalitativ produkt från Silver Cross. Den uppfyller EN1888-1/2:2018. Vid rätt användning och med rätt underhåll ska den fungera utan problem. Skulle du ändå få problem med barnvagnen kontakta din Silver Cross-återförsäljare, som kommer att hjälpa dig. Pacific babylift uppfyller EN:1466:2014.

### VARNING:

**LÄMNA ALDRIG BARNET UTAN UPSIKT.**

**UNDVIK SKADOR GENOM ATT HÅLLA BARNET PÅ TRYGGT AVSTÅND VID UPP- OCH NEDFÄLLNING AV PRODUKTEN.**

**KONTROLLERA ATT ALLA LÅSANORDNINGAR ÄR LÅSTA FÖRE ANVÄNDNING.**

**HA ALDRIG MER ÄN ETT BARN I BARNVAGNEN.**

**PRODUKTEN BÖR INTE ANVÄNDAS VID LÖPNING ELLER RULLSKRIDSKOÅKNING.**

**ANVÄND PARKERINGSBROMSEN NÄR BARNET PLACERAS I ELLER LYFTS UPP UR VAGNEN.**

**KONTROLLERA ATT LIGGVAGN, SITTDDEL ELLER BILBARNSTOL ÄR ORDENTLIGT FASTSATT FÖRE ANVÄNDNING.**

**LÅT INTE BARNET LEKA MED PRODUKTEN.**

**LÅT INTE ANDRA BARN LEKA UTAN UPSIKT NÄRA BABYLIFTEN.**

**SITTDDELN ÄR INTE LÄMPLIG FÖR BARN UNDER 6 MÅNADER.**

**BABYLIFTEN ÄR ENDAST LÄMPLIG FÖR BARN SOM INTE KAN SITTA SJÄLV UTAN STÖD.**

**ANVÄND ALLTID BÄLTFÖRSTÄMMNINGEN.**

**PLACERA ALDRIG BABYLIFTEN PÅ ETT STATIV.**

**ANVÄND INTE PRODUKTEN OM NÅGON DEL ÄR TRASIG, SKADAD ELLER FATTAS.**

**VAR UPPMÄRKSAM PÅ RISKER MED ÖPPEN ELD, GASELD ETC. I NÄRHETEN AV BABYLIFTEN.**

**INSPEKTERA REGELBUNDET BABYLIFTENS HANDTAG OCH BOTTEN EFTER TECKEN PÅ SKADOR ELLER SLITAGE.**

**ENDAST MEDFÖLJANDE MADRASS FÅR ANVÄNDAS I BABYLIFTEN.**

**BILBARNSTOLAR ERSÄTTER INTE EN SPJÅLSÄNG ELLER SÄNG. BEHÖVER BARNET SOVA SKA DET PLACERAS I EN LÄMPLIG LIGGVAGN ELLER SÄNG.**

**VIKT PLACERAD PÅ HANDTAG OCH/ELLER RYGGSTÖD OCH/ELLER VAGNENS SIDOR PÅVERKAR DESS STABILITET. BARNETS SÄKERHET ÄR DITT ANSVAR.**

**ANVÄND ENDAST RESERVDLAR OCH TILLBEHÖR TILLVERKADE ELLER REKOMMENDERADE AV SILVER CROSS.**

MUGGHÅLLARE: MAX BELASTNING  
= 340 G

KORG: MAX BELASTNING = 5 KG

Barnet ska alltid ha på sig en säkerhetssele som uppfyller BS6684. D-ringar finns så att ytterligare en sele kan fästas. Dessa är placerade på den befintliga selen nära fästet på sittdelen. Häng inte kassar eller andra föremål på handtaget. Detta kan få vagnen att välta. Kassor och bagage ska spridas ut jämnt i korgen och får inte väga mer än 5 kg.

Håll alltid i sittdelen när du gör justeringar.

Försök aldrig att fälla ihop Pacific när barnet sitter i eftersom barnet kan klämmas fast. Tvinga aldrig vagnen om du har problem att fälla upp eller ihop den. Då skadas den. Läs noga i Pacifics anvisningarna hur man fäller upp och ihop vagnen. Det kan vara farligt att montera tillbehör eller reservdelar som inte är tillverkade av eller rekommenderade av Silver Cross. Om någon annan än ägaren ska använda vagnen (t.ex. far- och morföräldrar, barnvakt) visa hur man använder den på rätt sätt.

## Skötsel och underhåll

### Chassi

Kontrollera alltid vagnen efter spår av slitage. Smörj alla rörliga delar regelbundet. Kontrollera att alla lås har fri rörlighet. Putsa metallen med en torr och ren trasa.

### Tygdelar och sittdel

Tvättinstruktioner finns i skötselråden som följde med barnvagnen. Undvik direkt värme och starkt solljus. En viss blekning av tyget kan ske över tiden då produkten används. Får inte tvättas i maskin, torktumlas, strykas eller blekas.

Lägg aldrig tillbehör som parasoll eller regnskydd på platser där värme och ljus kan missfärga tyget eller förstöra plasten, som exempelvis på hatthyllan i bilen när det är varmt.

## Комментарии по безопасности

Детская коляска Pacific — это высококачественное изделие компании Silver Cross. Коляска соответствует требованиям стандартов EN1888-1/2:2018 и при надлежащем использовании и обслуживании будет работать безотказно. Если, тем не менее, возникнут какие-либо проблемы, обращайтесь за помощью в магазин Silver Cross по месту приобретения коляски. Коляска соответствует требованиям стандартов EN: 1466:2014.

### ВНИМАНИЕ!

Никогда не оставляйте ребенка без присмотра. Во избежание травматизма убедитесь, что при складывании и раскладывании коляски

она находится вне пределов досягаемости вашего ребенка.

Прежде чем использовать коляску убедитесь, что все фиксаторы задействованы.

Коляска предназначена только для одного ребенка.

Данное изделие не предназначено для бега или катания на роликах.

Включите стояночный тормоз коляски перед тем, как усаживать или высаживать ребенка из коляски.

Перед использованием коляски убедитесь, что крепления рамы коляски, сиденья или автокресла правильно зафиксированы.

Не давайте ребенку использовать изделие в качестве игрушки. Это изделие предназначено только для детей, которые не могут сидеть без посторонней помощи.

Данное сиденье не предназначено для детей до 6 месяцев.

Не используйте изделие, если какая-либо часть сломана, повреждена или отсутствует.

Никогда не используйте люльку на подставке.

Не давайте другим детям играть рядом с люлькой без присмотра.

Используйте матрас только из комплекта поставки.

Данное изделие предназначено для ребенка, который не может сидеть самостоятельно, переворачиваться и не может встать на четвереньки. Максимальный вес ребенка: 9 кг.

Учитывайте риск открытого пламени и других поверхностей с высокой температурой, таких как электрический камин, газовое пламя и т. д., в непосредственной близости от коляски.

Всегда проверяйте, установлен ли поручень, когда ребенок сидит в сиденье.

Перед использованием убедитесь, что задействованы все фиксаторы.

Всегда используйте систему ремней.

**Всегда извлекайте ребенка из сиденья перед тем как поднимать и снимать сиденье.**

**Всегда включайте стояночный тормоз во время остановки.**

**Перед использованием убедитесь, что навесные устройства Simplicity правильно зафиксированы.**

**Не снимайте детское автокресло Simplicity, если переходники прикреплены к подставке Simplicity.**

**Детское автокресло Simplicity следует всегда устанавливать спинкой вперед.**

Ребенок должен быть обязательно пристегнут ремнями безопасности, соответствующими стандарту BS6684. Для крепления дополнительных ремней в конструкции коляски предусмотрены D-образные кольца. Они расположены на стандартных ремнях безопасности рядом с точками их крепления к раме сиденья. Не вешайте сумки и другие предметы на ручку коляски. От их веса коляска может опрокинуться. Предметы и покупки можно перевозить только в специальной корзине, а их общий вес не должен превышать 1 кг и должен быть распределен равномерно. Регулируя положение деталей коляски, всегда держите ее за сиденье. Убедитесь, что тормоз включен. а

Ни в коем случае не пытайтесь сложить коляску Pacific с находящимся в ней ребенком: коляска может его защемить.

Складывая и раскладывая коляску, не прикладывайте излишних усилий. Вы можете повредить коляску. Внимательно прочтите инструкции Pacific по складыванию и раскладыванию коляски. Использование аксессуаров и запасных деталей, не поставляемых и не рекомендованных компанией Silver Cross, может быть опасным. Если коляску использует другой человек (например, бабушка, дедушка или няня), обязательно объясните этому человеку, как правильно ее использовать.

Внимание! Регулируя изделие, следите за тем, чтобы ребенок не приближался к его подвижным деталям.

Никогда не оставляйте ребенка в коляске с полностью установленным дождевиком кроме случаев обычного использования коляски на улице.

Вещи, висящие на ручках и/или спинке и/или боках коляски влияют на ее устойчивость. Вы несете ответственность за безопасность ребенка.

Подстаканник: максимальная нагрузка = 340g

Используйте только принадлежности и запасные части, одобренные компанией Silver Cross.



---

## **Уход и обслуживание**

### **Рама**

Всегда проверяйте коляску на предмет износа. Регулярно смазывайте все движущиеся части. Проверяйте, свободно ли работают все фиксаторы. Металлические части протирайте сухой, чистой тканью.

### **Детали из ткани и сиденье**

Указания по уходу за тканью имеются в руководстве по уходу, прилагаемом к изделию. Не подвергайте детали коляски воздействию источников тепла и прямых солнечных лучей. Со временем ткань может немного выцвести в процессе повседневного использования. Запрещено стирать и сушить детали коляски в стиральной машине, гладить и отбеливать их.

Никогда не оставляйте такие принадлежности как козырек от солнца или дождевик там, где тепло и солнечный свет могут обесцветить ткань или покоробить пластик, например, на багажной полке автомобиля в жаркую погоду.

## 安全注意事项

Pacific 折叠式婴儿推车是 Silver Cross 生产的一款优质产品。本品符合 EN EN1888-1/2:2018 标准，如果使用及维护得当可经久耐用。如果您的折叠式婴儿推车出现问题，请联系 Silver Cross 零售商，零售商将采取适当的措施。Pacific 睡篮符合 EN 1466:2014 标准。

### 警告：

婴儿乘坐时，必须有人看护。

为了避免伤到婴儿，在折起或打开本产品时请不要让孩子靠近。

使用推车前确保所有锁定装置均处于锁定状态。

折叠式婴儿推车仅能容纳一个婴儿。

本产品不适合奔跑或滑行。

在将孩子抱出或放入婴儿车之前要确保推车的驻停装置都已锁定。

使用前检查婴儿车的车身、座椅或汽车座位连接装置是否连接牢固。

不可让婴儿摆弄本产品。

本产品仅适合不能独自坐起的婴儿。

本座椅不适合小于6个月的婴儿。

如有部件损坏、破损或丢失，请不要使用本产品。

请不要在支架上使用睡篮。

不要让其他无人看护的婴儿在睡篮旁边玩耍。

请勿在现有婴儿床垫基础上再放置床垫。

本产品适合不能独自坐起、翻身、用手或膝盖撑起身体的婴儿。婴儿最高限重：9kg

在婴儿睡篮周围要小心防范明火、其他包括电暖气、炉火在内的高热表面可能带来的安全隐患。

将宝宝抱进座椅内之后，保险装置一定要连接妥当。

使用前确保所有锁定装置均处于锁定状态。

要养成使用完全防护装置的习惯。

在尝试提起或挪开座椅前一定要先把婴儿抱离。

在您站立不动的时候要养成使用驻停刹车装置的习惯。

使用前检查 Simplicity 产品连接装置是否连接牢固。

在转换套件还与 Simplicity 婴儿汽车安全座椅相连时不要移动安全座椅。

Simplicity 婴儿汽车安全座椅必须面朝车的后方放置。

婴儿应始终系好符合 BS6684 标准的安全带。同时可以使用配套的半圆环，用于安装加固安全带。您可以在连接座椅框架的安全带处找到这些半圆环。请勿将购物袋或其他物品挂在手柄上。这可能会使折叠式婴儿车翘起。多余的物品或行李只能放在购物篮中，重量不得超过5kg，且需均匀摆放。在进行调节时，始终握住座椅。确保使用刹车装置。

当孩子坐在 Pacific 婴儿车里面时，请勿折叠本产品，因为这可能会夹到孩子。如果您在折起或打开折叠式婴儿车时遇到困难，请勿强行操作。这会损坏婴儿车。仔细阅读 Pacific 婴儿车使用说明书中的“折起或打开”说明。除 Silver Cross 提供或推荐的产品外，安装其他配件或备件可能会有安全隐患。如果除您之外的其他人（比如孩子的爷爷奶奶，保姆等）要使用婴儿车，请向他们演示正确的操作方法。

注意：在进行调节时，孩子应远离运转中的零件。

请勿将您的孩子留在整体安装防雨罩的折叠式婴儿车中，正常户外使用除外。

婴儿车手柄和（或）座椅靠背和（或）婴儿车两侧如果有任何负重均会

---

影响婴儿车的稳定性。保护婴儿的安全是您的责任。

杯架：最大承重量 = 340g

只可使用 Silver Cross 提供或推荐的配件或备件。

## 保养与维修

### 底盘

要经常检查折叠式婴儿车是否有磨损迹象。定期润滑所有运转零件。检查所有锁定装置的运动灵活性。用干净、干爽的抹布擦拭金属部件。

### 织物和座椅

织物洗涤护理说明细节详见婴儿车附带的洗涤护理标签。请勿将产品置于直接热源或日照强烈的地方。随着长期使用，产品可能出现某种程度上的褪色。请勿机洗、烘干、熨烫或漂白。

请勿将配件如遮阳罩或防雨罩放在高热、强光下，因为可能会导致织物褪色或塑料变形，例如不要在天气炎热时放在汽车的行李架上。

## 安全注意事項

您的 Pacific 嬰兒推車為優質 Silver Cross 產品。符合 EN1888-1/2:2018 標準，正確使用和保養下可提供良好的使用時間。但假如您的嬰兒推車有任何問題，請聯絡您的 Silver Cross 零售商，零售商將採取合適行動。Pacific 手提睡籃符合 EN: 1466:2014 標準。

### 警告：

切勿把您的孩子留下無人看管。

為避免受傷，在打開及摺合此產品時，應確保您的孩子已遠離它。

在使用前確保已鎖好所有的鎖定裝置。

切勿以此嬰兒推車乘載超過一名兒童。

此產品不適用於跑步或溜冰。

在放入或取出您的孩子時，請確保已使用停車煞車制。

在使用前，檢查嬰兒車車身或座椅單元或汽車座椅的連接裝置已經正確地連接好。

切勿讓您的孩子以此產品作玩具。

不可在無人看管的情況下讓其他孩子在手提睡籃附近玩耍。

此座椅單元不適合未滿6個月大的兒童。

此手提睡籃只適合並不能獨立坐起的兒童。

一定要使用束縛系統。

切勿把此睡籃放在支架上。

假如任何部份損毀、破損或缺失，切勿使用此產品。

請小心在手提睡籃附近的明火、氣體火焰等風險。

應定時檢查手提睡籃的手柄及底部有無損壞或磨損的跡象。

手提睡籃只可使用提供的睡墊。

汽車座椅不可用來代替幼兒床或床。如果您的小孩需要睡覺，應該將他們放置於合適的嬰兒車、幼兒床或床內。

在把手和/或椅背後方和/或車身兩邊繫上任何物件，都會影響車身穩定性。嬰兒的安全是您的責任。

只應使用 SILVER CROSS 批准的替換部件或配件。

杯架：最大承載量 = 340克

載物籃：最大承載量 = 5公斤

孩子應該每次都佩戴符合 BS6684 標準的安全保護帶。已提供“D”型環以連接一條額外的保護帶。它們位於現有的保護帶上，接近保護帶與車身連接之處。不要將購物袋或其他物品掛在手把上。這可能會導致嬰兒推車翻車。額外的購物袋或行李只可以放在載物籃內，不應該超過5公斤，而且重量應該平均分佈。

在進行調校時，應每次都扶緊座位。

當小孩坐好時，切勿嘗試把您的 Pacific 摺合，這可能會困住您的小孩。如果您摺合或打開嬰兒推車有困難時，不要強行用力。這會導致損壞。請仔細閱讀「摺合或打開」的指引。使用並非 Silver Cross 提供或建議使用的配件或零件可能不安全。假如車主以外任何人士 (例如祖父母、保姆) 需要使用此嬰兒推車，請向該人士示範如何正確地使用它。

---

## 護理及保養

### 車身

應每次都檢查您的嬰兒推車是否有磨損的跡象。定期在所有移動部件塗抹潤滑劑。檢查所有鎖定裝置的可移動性。以清潔的乾布擦拭金屬部位。

### 布料物品和座椅單元

有關布料清洗指示，請參看您的嬰兒車附上的保養指南。遠離直接熱力和太陽強光。在日常使用下，可能會出現一定程度的褪色。切勿機洗、攪乾、熨燙或漂白。

切勿把配件如遮陽罩或遮雨罩放在熱力和光線可能造成布料褪色或令塑膠變形的地方，例如在炎熱的天氣下放置於後車箱台板。

## ملاحظات السلامة

يرجى أخذ الحيطة لتجنب مخاطر الحرائق المفتوحة، أو الحرائق الناجمة عن الغاز، إلخ. والتي قد تقع على مقربة من سرير الأطفال المحمول.

يجب فحص المقابض على نحو منتظم وكذلك أسفل سرير الأطفال المحمول للتأكد من عدم وجود دلائل على حدوث تلف أو إهلاك.

ينبغي استخدام المرتبة المقدمة مع سرير الأطفال المحمول.

لا يعتبر مقعد السيارة بديلاً عن مهد الطفل أو السرير. في حالة حاجة الطفل إلى النوم، ينبغي وضعه في العربة الأساسية المناسبة أو المهد أو السرير.

أي حمل يوضع على مقبض و/أو مسند الظهر و/أو على جانبي المركبة من شأنه أن يؤثر على ثبات المركبة. سلامة طفلك مسؤوليتك وحدك.

لا يجوز استخدام سوى قطع الغيار أو الملحقات المعتمدة من Silver Cross.

حامل الأكواب: الحد الأقصى للتحميل = ٣٤٠ غم  
السلة: الحد الأقصى للتحميل = ٥ كغم

يجب أن يرتدي الطفل دوماً حزام سلامة يتوافق مع BS٦٦٨٤. يوجد حلقات على شكل 'D' لتركيب حزام إضافي. وهي موجودة على الحزام الحالي بالقرب من مكان ربطه بإطار المقعد. لا يجب تدليبة حقائب التسوق أو أي أشياء أخرى من المقبض. فقد يتسبب هذا في انقلاب عربة الأطفال. يجب حمل حقائب التسوق أو الأمتعة الزائدة فقط في السلة ولا ينبغي أن يتجاوز وزنها ٥ كغم، وتوزع بالتساوي.

يجب دوماً حمل المقعد أثناء إجراء التعديلات.

لا يجب أبدًا طي مقعد Pacific أثناء جلوس الطفل فيه فهذا قد يؤدي لانحشار الطفل. إذا ما كانت هناك صعوبة في طي أو فك عربة الأطفال، فلا يجب استخدام القوة. حيث أن ذلك من شأنه أن يؤدي إلى إلحاق الأضرار بها. يرجى قراءة تعليمات "الطي والفك" بعناية في دليل تعليمات Pacific. قد لا يكون من الآمن تركيب الملحقات أو قطع الغيار بخلاف ما يتم توريده من قبل Silver Cross أو ما توصي به. إذا ما كان أي

عربة الأطفال Pacific أحد المنتجات عالية الجودة من Silver Cross. يتوافق المنتج مع معايير EN: ١٨٨٨-٢/١: ٢٠١٨ ومع مراعاة الخدمة والصيانة الصحيحة سوف تتوافق الخدمة الجيدة. ومع ذلك، ففي حالة مواجهة أية مشاكل مع عربة الأطفال الخاصة بكم، يرجى الاتصال ببائع التجزئة الخاص بمنتجات Silver Cross والذي سوف يقوم باتخاذ الإجراءات المناسبة. يتوافق سرير الأطفال المحمول Pacific مع معايير EN: ٢٠١٤: ١٤٦٦.

### تحذير:

لا يجب أبدًا ترك طفلك بدون إشراف.

لتجنب الإصابات، يجب التأكد من إبعاد الطفل عند فتح وإغلاق هذا المنتج.

يجب التأكد دوماً من أن كافة أجهزة الإغلاق قد تم تعشيقها قبل الاستخدام.

لا يجب وضع أكثر من طفل في عربة الأطفال هذه.

هذا المنتج غير مناسب للاستخدام أثناء الرضخ أو التزلج.

يجب التأكد دوماً من تعشيق مكابح التوقيف عند وضع الطفل وعند رفعه من مقعد العربة.

يجب التحقق من التركيب السليم لأجهزة تثبيت جسم العربة الأساسي، أو وحدة المقعد، أو مقعد السيارة قبل الاستخدام.

لا ينبغي ترك طفلك يعبث بهذا المنتج.

لا تسمح بعب أطفال آخرين بالقرب من سرير الأطفال المحمول بدون إشراف.

وحدة المقعد هذه غير مناسبة للأطفال الأقل من ٦ أشهر.

سرير الأطفال المحمول هذا مناسب فقط للأطفال الذين لا يمكنهم الجلوس بدون مساعدة.

يجب دوماً استخدام نظام التقييد.

لا يجب أبدًا استخدام سرير الأطفال المحمول على حامل.

لا يجب استخدام المنتج في حالة تعرض أي من أجزائه للكسر أو التمزق أو الفقد.

شخص آخر سيستخدم عربة الأطفال بخلاف المالك (مثل الجد أو الجدة أو المربية) يرجى توضيح طريقة الاستخدام الصحيحة لهم.

## العناية والصيانة

### الهيكل المعدني

يجب دوماً التحقق من عدم وجود علامات الاهتراء على عربة الأطفال. يجب تزييت جميع الأجزاء المتحركة بانتظام. يجب مراعاة حرية الحركة لكافة أجهزة الإغلاق. عليك تلميع الأجزاء المعدنية باستخدام قطعة قماش نظيفة وجافة.

### وحدة المقعد والأجزاء النسيجية

يرجى الرجوع إلى الدليل المتضمن مع عربة الأطفال لقراءة إرشادات العناية بالنسيج وغسله. تترك في مكان بعيد عن درجة الحرارة المباشرة وضوء الشمس القوي. قد يحدث بهتان محدود في الألوان مع مرور الوقت ومع الاستخدام اليومي. لا يجب الغسل في الغسالة الأوتوماتيكية، ولا تجفيفها، ولا يجوز استخدام المكواة أو المبيضات.

لا يجب أبداً ترك الملحقات مثل واقى الشمس أو غطاء المطر في مكان مكشوف، حيث إن الحرارة والضوء قد يسببا إزالة الألوان أو تشوه البلاستيك، مثلاً على رف السيارة في الطقس الحار.

Silver Cross®