

Axkid Minikid



(EN) 3-9

(DE) 10-16

(PL) 17-23

(ES) 24-30

(PT) 31-37

(SE) 38-44

(SI) 45-51

(CZ) 52-58

(SK) 59-65

(RO) 66-72

(FR) 73-79

(NO) 80-86

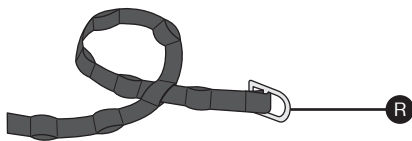
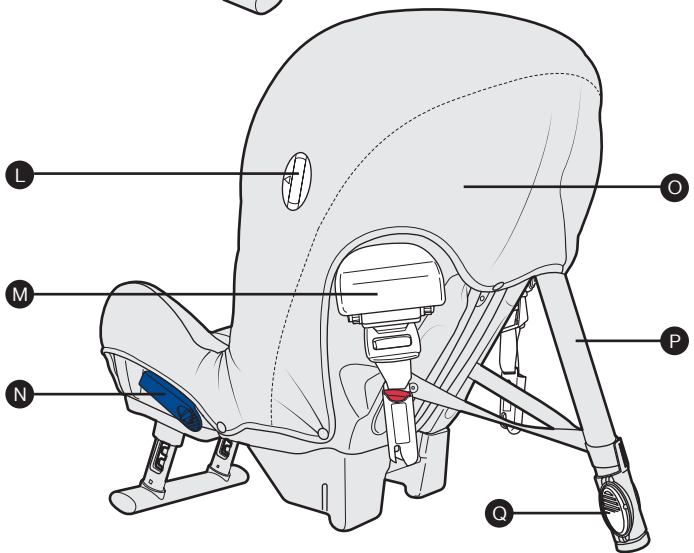
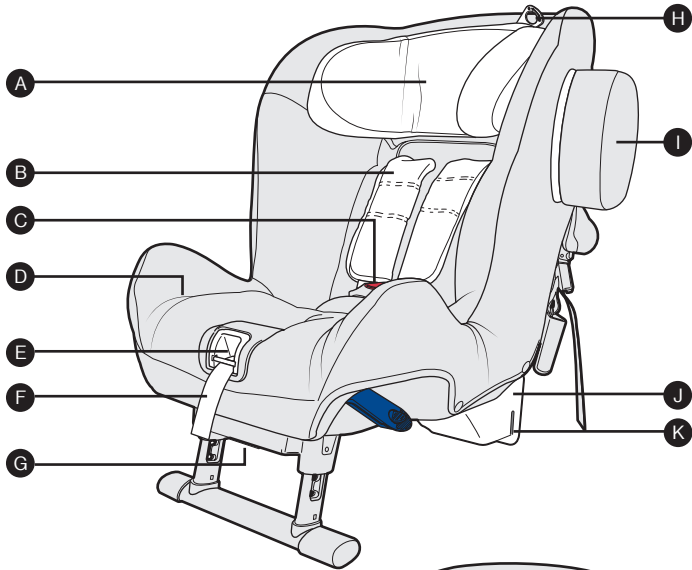
(FI) 87-93

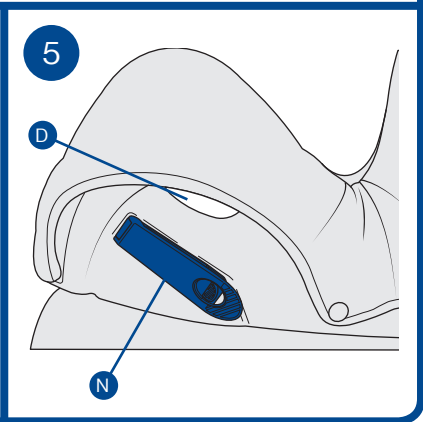
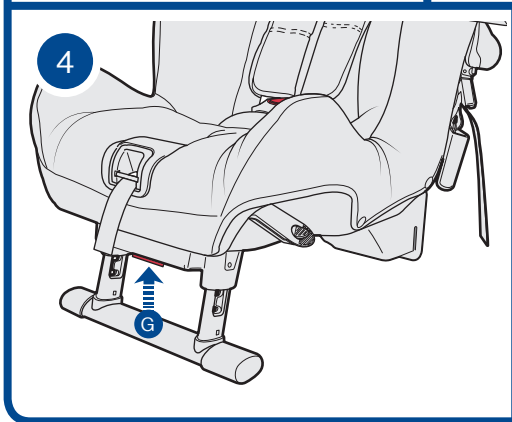
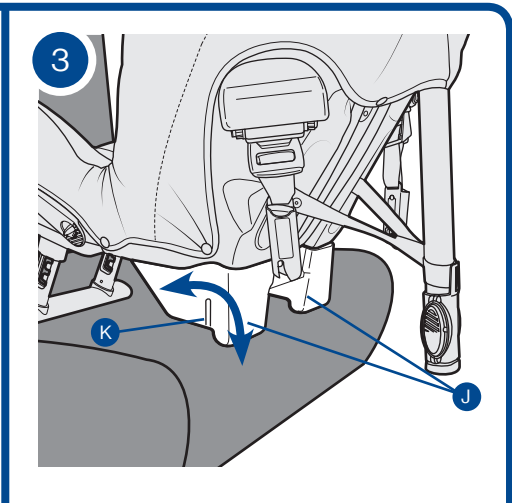
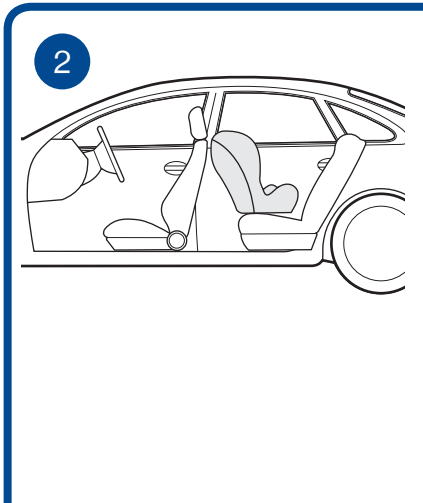
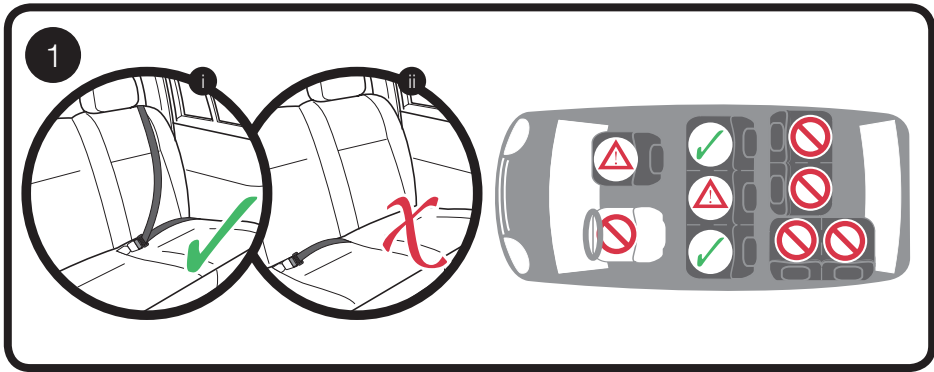
ECE R44/04

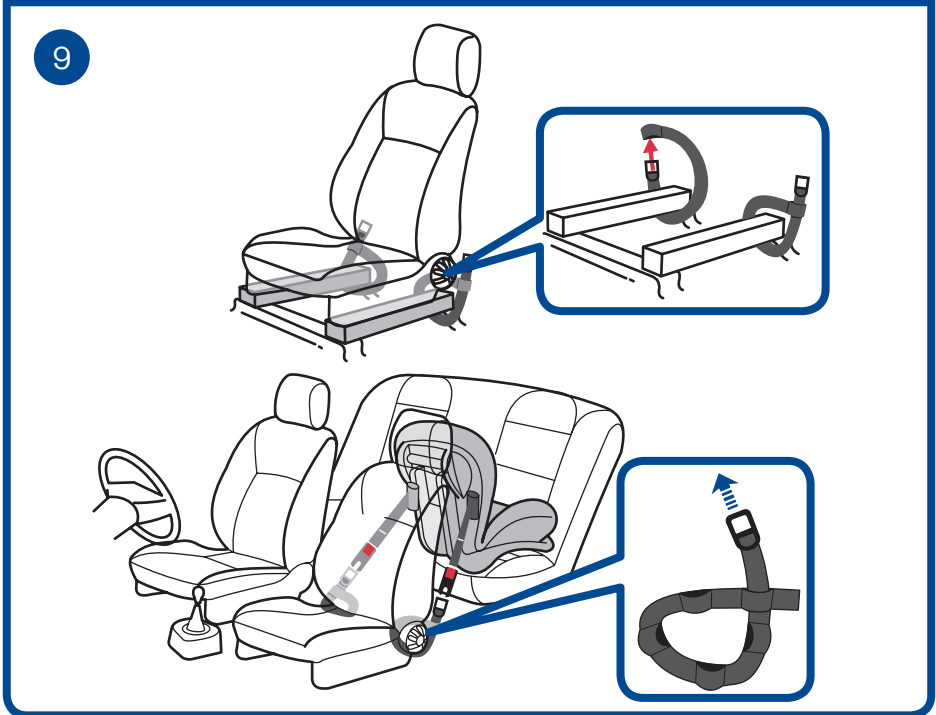
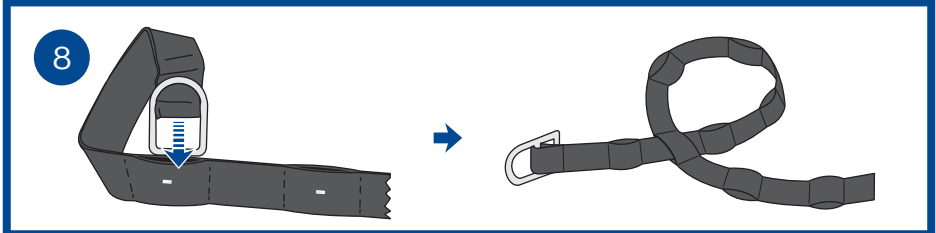
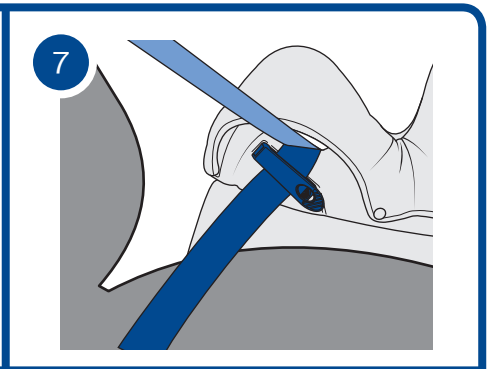
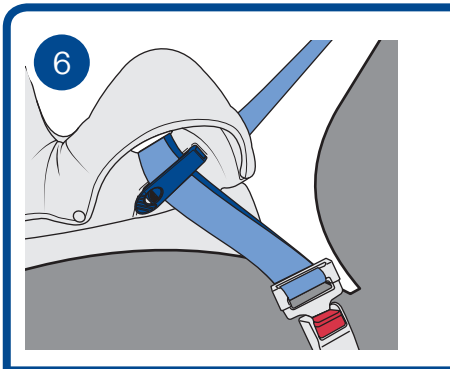
AXKID

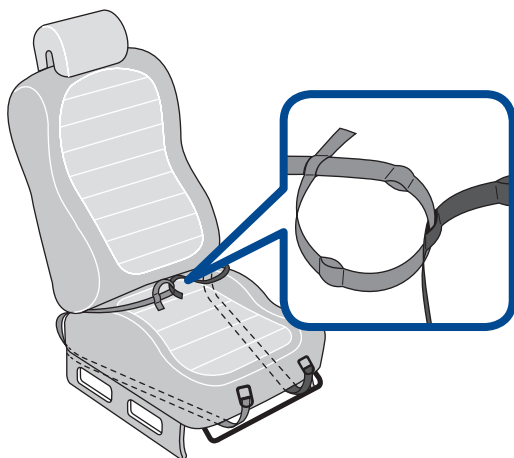
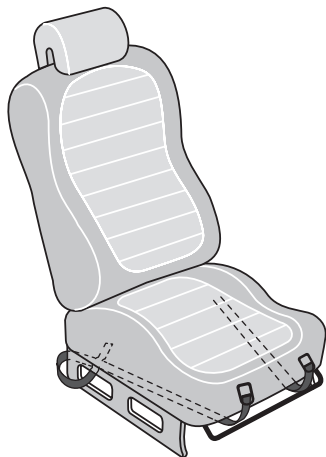


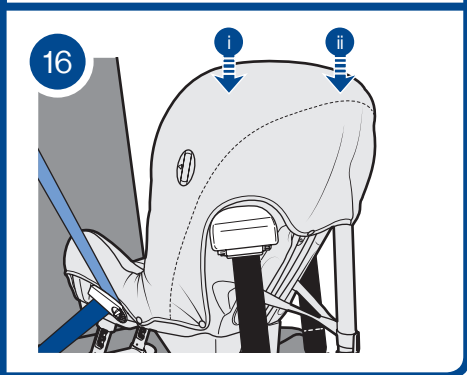
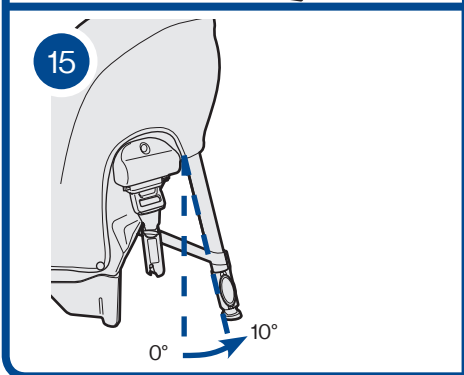
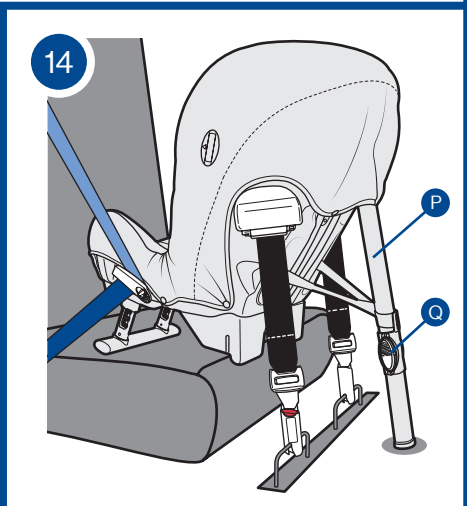
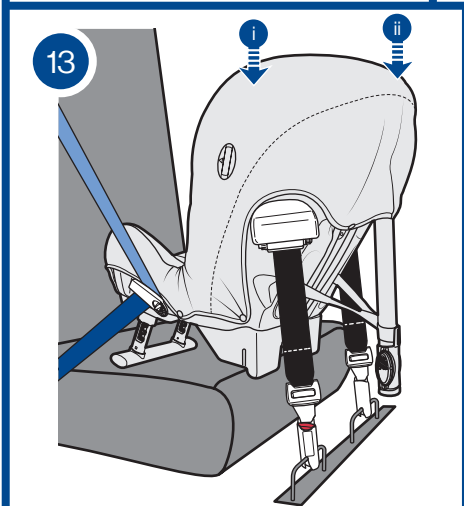
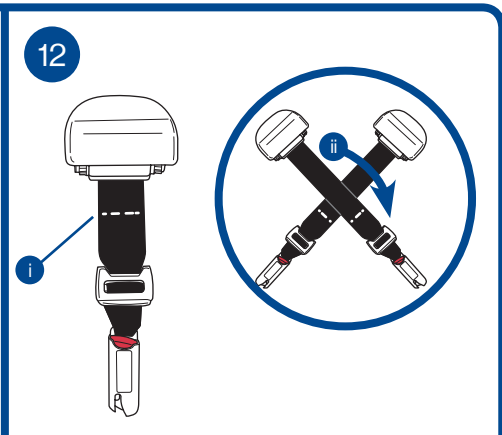
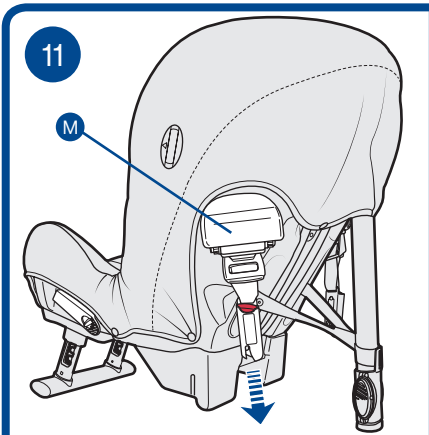
0-25 kg

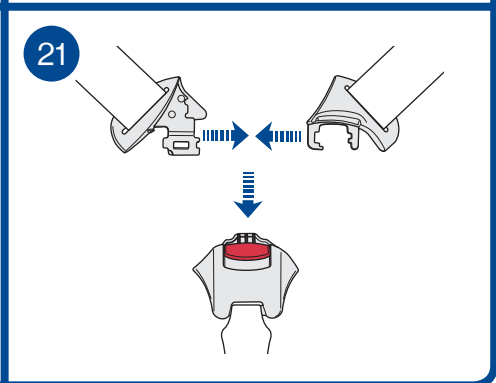
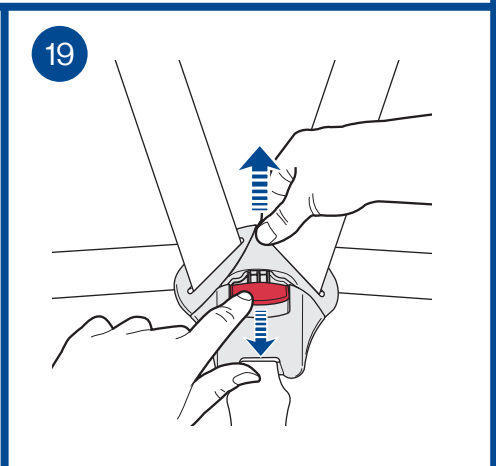
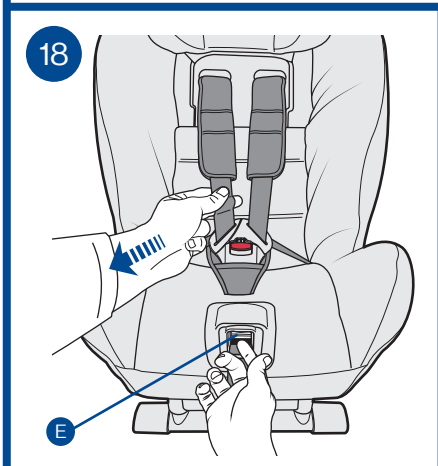
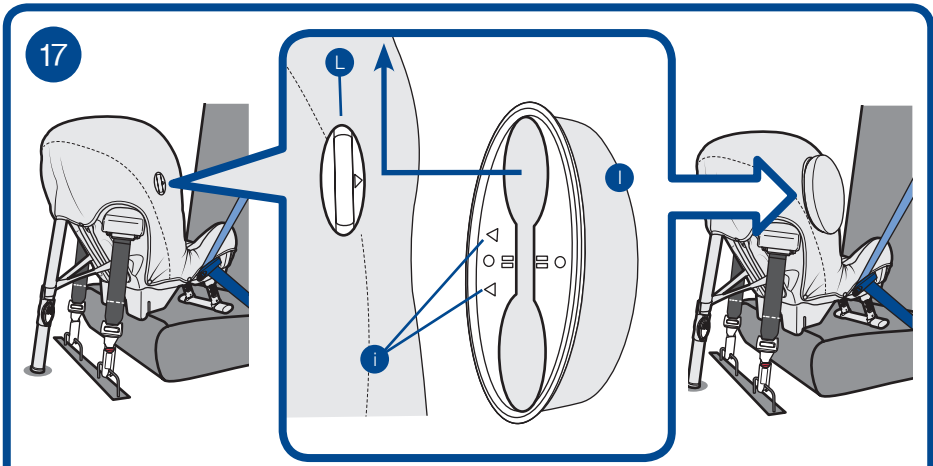


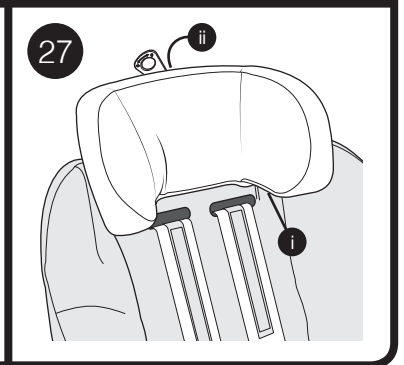
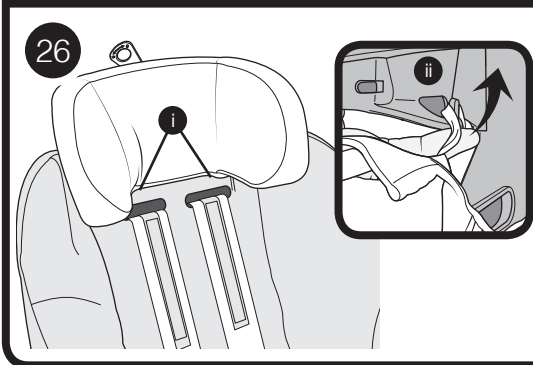
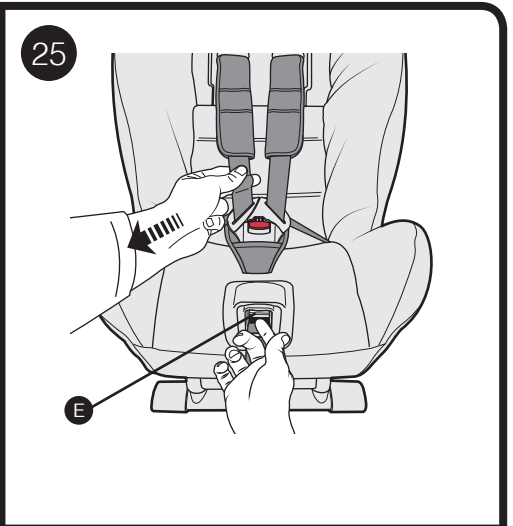
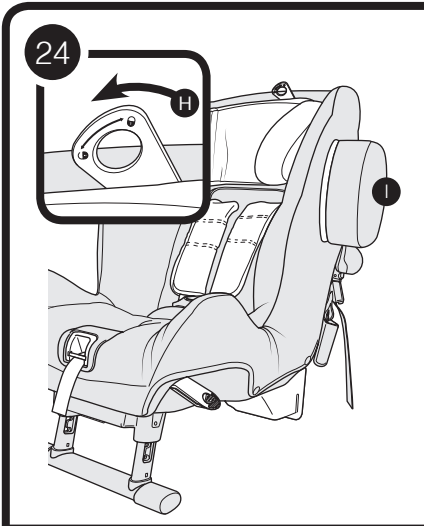
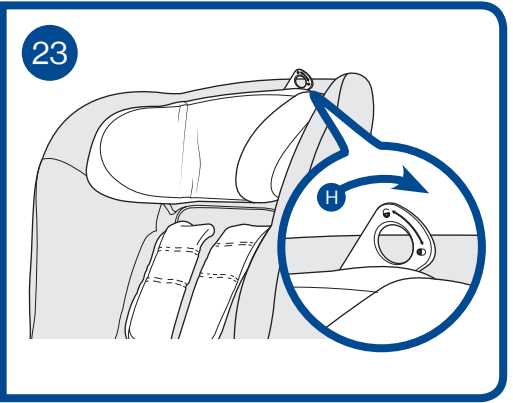
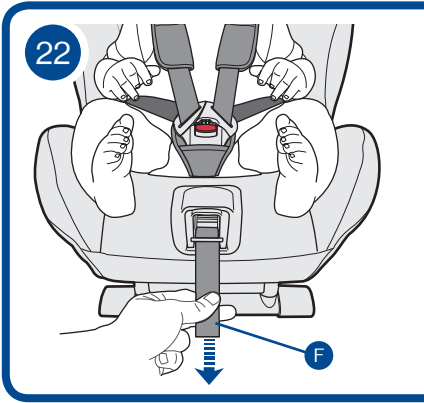




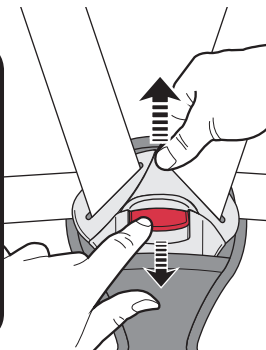
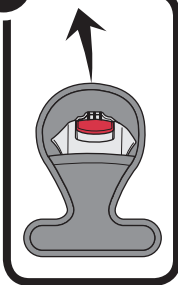




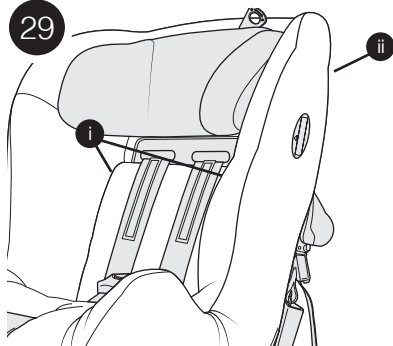




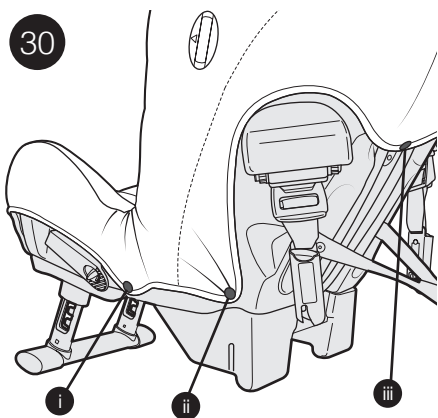
28



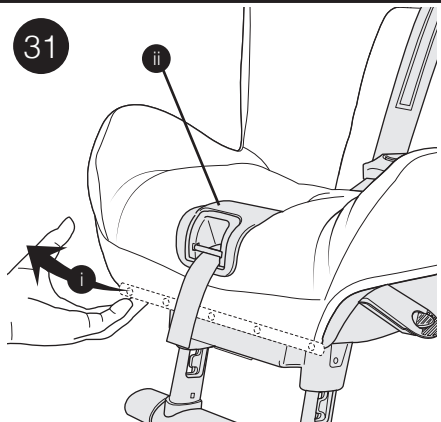
29



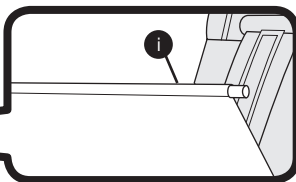
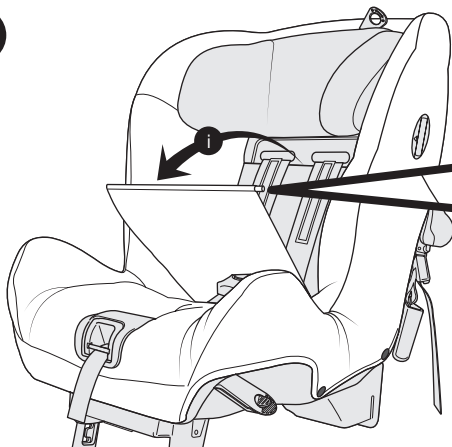
30



31



32



Axkid Minikid

Rear-facing 0-25 kg with vehicle seat belt and tethers

Instruction manual

Important information

Read this instruction manual before installing the Minikid child restraint in your vehicle. For more information and installation videos visit www.axkid.com.

Thank you for choosing an Axkid child seat. Our team has over 30 years combined experience within child safety, and we have done our utmost to make the Minikid child seat as safe as possible. The Minikid child restraint is approved according to ECE R44/04, the latest European standards for child safety. To maximise your child's safety it is important that you keep the following in mind;

Read this instruction manual carefully before installing the Minikid child restraint. If in doubt, contact your retailer who can demonstrate a correct installation. An incorrect installation could endanger your child.

Axkid always recommends using an infant carrier until the child is steady enough to sit unaided. Axkid does not recommend using Minikid 0-25 kg from birth, because smaller children need better support and protection the first couple of months of life.

Do not use a child restraint in a seating position where an active airbag is fitted. If you still wish to install the Minikid in this location the airbag must be disconnected at an authorised service centre. Some vehicles may be equipped with a switch which allows you to manually switch the airbag off. It is important to always check if the vehicle's indicator light shows that the airbag is turned off.

Extensive research has shown that the risk of serious injury or worse is five times greater for a young child when in a forward facing restraint compared to a rear-facing restraint. In Minikid your child can travel rear-facing up to 25kg.

Always use the support leg when installing the Minikid seat. The support leg is a very important safety feature designed to maximise your child's safety in an accident.

Should you have an accident, no matter how small, your child restraint should be replaced. It may have damage that is undetectable and could seriously jeopardize your child's safety. For this reason Axkid do not recommend purchasing second hand child restraints.

Never leave your child unattended in the car.

Ensure any luggage or loose objects are secured in your vehicle as they may cause injuries to passengers in the event of a collision.

Contents

The Minikid child restraint is suitable for use from approximately six months of age, or from when your child can sit up unsupported, up until the age of six. This child restraint can **ONLY** be installed rear-facing.

Parts	4
Allowed and disallowed positioning of the child car seat	4-5
Rear-facing 0-25kg with vehicle seat belt and tethers	5-8
This assembly can be used for children weighing between 0-25 kg (0-55 lb).	
Removing and fitting the covers	8-9
Care and maintenance	9
Warranty	9

Parts

A	Headrest	J	Heels
B	Integral harness	K	Indented vertical line
C	Harness buckle	L	Side impact pad connector
D	Seat belt slot	M	Tether straps
E	Harness adjuster button	N	Belt lock-off
F	Harness adjustment strap	O	-
G	Recline adjustment lever	P	Support leg
H	Headrest brake lever	Q	Leg extension button
I	Side impact pad	R	Lower anchor straps (x2)

Allowed and disallowed positioning of the child car seat

1 The child restraint can be used on any forward facing passenger seat which has a 3-point seat belt (i), so long as there is no active airbag in place. The child restraint **cannot** be used with a 2-point lap belt (ii).

IMPORTANT: If you wish to install your Minikid in a location where an airbag is fitted, then the airbag must be disconnected at an authorized service centre. Some vehicles may be equipped with a switch which allows you to manually switch the airbag off. It is important to always check if the vehicle's indicator light shows that the airbag is turned off.

WARNING: Never use on a seat with an active airbag

WARNING: Never use on rearward or side facing vehicle seats

WARNING: Air bags are designed for adults and can seriously harm your child in a crash

Allowed and disallowed positioning of the child car seat.

Front passenger seat (no active airbag)	Yes
Front passenger seat (active airbag)	NO
Forward facing seat with 3-point seat belt	Yes
Seat with 2-point seat belt	NO
Side facing seats	NO
Rear facing seats	NO



Never use this child seat in a car that is not equipped with an ECE Reg 16 approved three-point belt.

Rear-facing 0-25 kg with seat belt & tethers

Positioning the child restraint

- 2 The easiest way to lift the Minikid into the vehicle is with its back first. Place the child restraint in the vehicle with the back of the restraint facing the front of the vehicle.
- 3 The heels (J) should be sitting over the edge of the vehicle seat. The indented vertical line (K) on the heel should align vertically with the end of the vehicle's seat. If installing in a small vehicle, or if your child does not require extra leg room, you can instead place the heel upon the vehicle's seat this will also achieve a more reclined position.

Note: When installing Minikid in the front seat it is possible, but not crucial, for the back of the restraint to have contact with the dashboard.

- 4 To adjust the angle of the child restraint, press the recline adjustment lever (G) to select one of the five reclining positions. Always choose the most upright position as possible, however your child must be able to hold their head up on its own, and there should be enough recline to ensure your child's head does not fall forward when sleeping. The rule of thumb is that the older the child grows, the more upright the seat can be installed. Please note that once the installation of the Minikid is complete, it will be somewhat more reclined as it sinks into the vehicle's seat from tightening seat belts and tether straps.



Never install a child restraint in a passenger seat where an active airbag is fitted.



Fastening the vehicle seat belt

- 5 Open the belt lock-off clips (N) on both sides of the Minikid child restraint. Fully lengthen the seat belt until the lap section of the belt is at least 70-80cm (27-32 inches) long. Feed the seat belt through the seat belt slot (D), between the seat cover and seat body until the belt comes out through the seat belt slot on the other side. If you prefer, you can instead feed the seat belt through the seat belt slot (D), then over the top of the seat belt cover and then through the seat belt slot on the other side.
- 6 Insert the seat belt tongue into the vehicle's seat belt buckle. Pull the seat belt until all slack is removed along the seat belt route. Secure both the lap and shoulder belt in the lock-off closest to the vehicle's seat belt buckle.
- 7 In the lock-off on the opposite side, only the lap belt should be secured.

Attaching the tether straps

Some vehicles may already be fitted with anchorage points at the back of the front seat rails, or, if installing in the front passenger seat, in front of that seat.

- 8 If your vehicle does not have these anchor points, the supplied lower anchor straps must be used.
- 9 For installation in the back seat, feed the buckle end of the anchor strap through either the rear of the front seat rails, or the hinge of the front seat. The anchoring point needs to be as close to the floor as possible. In doing so you should always insert the buckle of the anchor strap through the closest appropriate slot in the strap to create a slip knot then pull tight. This needs to be repeated on both sides to create two anchor points.
- 10 When installing Minikid in the front passenger seat the lower anchor straps must be attached to the front gliding tracks so the anchor points will be located along the front edge of the passenger seat.
- 11 Pull out the upper tether strap from the belt housing (M) to an appropriate length.
- 12 Check that the white marking on the strap (i) is visible. If not, you can try crossing the straps over (ii) to give them some extra length to enable the white marking to be visible.
- 13 Clip the anchor attachments directly onto the vehicle anchorage points (or lower anchor straps if you have used them). Press down hard on the top of one side (i) of the child restraint then repeat on the other side (ii). When you do this it's important that you really use your full body weight to press down and get the tether straps to really tighten hard. This will give the tether straps their first tightening.

- 14 Unfold the support leg (P) out to its maximum angle. Press the leg extension button (Q) and extend the support leg until it reaches the floor.
Note: The support leg belt may, but does not need, to be fully tensioned.
- 15 It is important that you check that the support leg is at an angle over 10° from the back of the seat. You could check this by ensuring that the support leg is further away from the seat than the vertical line.
- 16 Press down on the child restraint from side to side again (i)(ii), the tether straps will be then be automatically tightened.

If you have installed Minikid in the back seat you can now move the front seat to a comfortable position.

Note: The back of the child restraint may, but does not need to be in contact with the back of the front seat.

Using the side impact protection pad

Although optional we **STRONGLY** advise using the side impact pad where possible to add extra protection from side collisions.

- 17 Locate the side impact pad connector (L) on the child seat nearest to the side of the vehicle (i.e. closest to the door).

IMPORTANT: Ensure the two triangular arrows (i) on the side impact pad (I) point in the same direction as the triangular arrow on the side impact pad connector (L).

Place the upper of the two oval openings on the underside of the side impact pad over the side impact pad connector. Push the side impact pad against the side of the car seat and slide the side impact pad upwards onto the side impact pad connector. You will feel a slight click as the side impact pad locks in place.

To remove: push the side impact pad downwards and remove.

Placing your child in the seat

- 18 Press the harness adjuster button (E) and pull forward on the shoulder straps (not the shoulder pads) to completely loosen the harness.
- 19 Press the red harness release button on the buckle and unfasten the harness.
- 20 Place your child in the car seat. Put your child's arms in between the shoulder straps so that the straps are hanging over the chest and stomach.
- 21 Pull the shoulder straps together and insert the harness tongues into the crotch buckle.
- 22 Pull the harness adjustment strap (F). It's important that you always pull the harness straight and central when you tighten the adjustment strap. This will tighten the harness and the headrest will automatically slide down to the appropriate height.

Head support brake on headrest

23 The headrest on your Minikid is equipped with a head support brake. This can be used if you want to keep the headrest in a fixed position. To activate the head support brake, pull the harness adjustment strap until the headrest is at the desired height, you will hear a faint “click” sound from the headrest as it locks into position. Check that the headrest can not be pulled down any further and activate the headrest brake by moving the lever (H) across to the right.

WARNING: Do not pull up the headrest with the parking brake activated.

Removing and fitting the covers

WARNING: Never use the child restraint without its covers. The covers are an integral safety feature.

- 24 Remove the side impact pad (I) if attached and ensure the headrest brake lever (H) is unlocked by turning it to the left.
- 25 Press the harness adjuster button (E) and pull forward on the shoulder straps (not the shoulder pads) to completely loosen the harness.
Note: If the headrest does not raise up check the headrest brake lever (H) is unlocked. Having the headrest raised will make removing the headrest cover easier.
- 26 Locate the elastic loops (i). Working on one loop at a time, place your index finger in the loop and trace the loop back to where it is attached on the headrest via a hook (ii). Carefully remove the elastic loops from each hook (ii).
- 27 Unzip the two zips on the headrest (one on the underside of the right-hand-side of the headrest (i) and one on the back (ii)).

Starting from the right, carefully pull the cover off from the headrest. Once the headrest cover has been removed, lower the headrest again and lock in position. This will help whilst removing the seat cover.

- 28 Press the red harness release button on the buckle to unfasten the harness and remove the crotch pad.
- 29 Unzip the three zips on the seat cover (one on each side of the front of the cover (i) and one on the back of the cover (ii)). Ensure you fully unzip the zips on each side of the front cover (i).
- 30 Unfasten all the press studs (i), (ii), (iii).
- 31 Release and remove the plastic strip (i) along the front of the child restraint. **IMPORTANT!** Ensure you pull the plastic strip and **DO NOT** pull the fabric. Carefully remove the seat cover from around the harness adjuster housing (ii).

IMPORTANT! Store the plastic strip safely for when you need to fit the seat cover again. If you do lose the plastic strip you will need to contact your retailer for a replacement.

32 Carefully pull out the plastic rod (i) holding the seat-back fabric to the seat. Pull the seat-back fabric forward and feed the crotch strap through the seat-base fabric. You can now, starting from the top of the seat cover, carefully remove the seat cover ensuring you release any Velcro® tabs as you do so.

To fit the cover, reverse the above steps ensuring the harness and shoulder pads are routed correctly.

Care and maintenance

The seat cover can be removed and washed in a washing machine at 30° C on the "Gentle Cycle" programme. Do not put the cover in a dryer as this can damage the cover and the padding may separate from the fabric.

Visit www.axkid.com to find videos explaining how to remove and attach the cover.

Any plastic parts of Minikid can be cleaned with mild detergent and water. Do not use aggressive chemicals containing solvents etc, as this can cause damage to the plastic and compromise the safety of the child restraint.

All materials used in the Minikid child restraint are recyclable and should be recycled as per your local legislation. Ask your local recycling centre for advice when recycling this product.

Do not make any modifications or alterations to the Minikid child restraint other than those described in this instruction manual. Follow the instructions in this manual carefully. Any repairs must be carried out by the manufacturer or agent.

If the seat cover needs replacing ensure only original products from Axxid are used. If other products are used the Minikid's safety system may be compromised and could lead to severe injury or death in case of an accident.

All materials used have a very high UV-resistance rating. However, UV-light is very aggressive and will ultimately lead to fading of the seat cover. This is not covered by our warranty as it is considered normal wear and tear.

Warranty

The Minikid child restraint is covered by a 24 month warranty from date of purchase. Ensure you save your receipt and bring it to your place of purchase should you have any warranty issues.

The warranty does not cover:

- * Normal wear and tear
- * Damage due to incorrect use, neglect or accident
- * If repairs have been carried out by a third party

Axkid Minikid

Rückwärtsgerichtet 0-25 kg mit Fahrzeuggurt und Spanngurt

Bedienungsanleitung

Wichtige Informationen

Lesen Sie diese Bedienungsanleitung vor Gebrauch sorgfältig durch und bewahren Sie sie für später auf. Für mehr Informationen und Anwendungsvideos besuchen Sie www.axkid.com.

Vielen Dank, dass Sie sich zum Kauf von Axkid Kindersitz entschieden haben. Unser Team hat eine über 30-jährige Erfahrung in Bezug der Sicherheit von Kindern und wir haben unser Möglichstes getan, den Apollo Kindersitz so sicher wie möglich zu machen. Das Apollo Rückhaltesystem ist zugelassen nach ECE R44/04, den neusten europäischen Standards für Kindersicherheit. Um die Sicherheit der Kinder zu erhöhen, ist es wichtig die folgenden Punkte zu beachten:

Lesen Sie diese Bedienungsanleitung vor Gebrauch sorgfältig durch. Im Zweifel kontaktieren Sie Ihren Händler, der Ihnen eine korrekte Montage demonstrieren kann. Eine fehlerhafte Montage kann Ihr Kind gefährden.

Axkid empfiehlt, so lange wie möglich eine Babyschale zu verwenden, bis das Kind stabil genug ist, um ohne Hilfe zu sitzen. Die Verwendung des Minikid 0-25 kg ab Geburt ist nicht empfohlen, da kleinere Kinder in den ersten Lebensmonaten eine bessere Unterstützung und einen besseren Schutz benötigen.

Verwenden Sie den Kindersitz nicht auf Sitzplätzen mit aktiven Airbags oder schalten Sie den Airbag entsprechend aus. Gegebenenfalls muss dies durch einen Service-Techniker durchgeführt werden. Bitte überprüfen Sie immer die Kontrollleuchte, die anzeigt, ob der Airbag ausgeschaltet ist.

Umfangreiche Forschungen haben ergeben, dass das Risiko von Kindern, ernsthafte, schwere Verletzungen zu erleiden, bei Verwendung von vorwärtsgerichteten Sitzen fünfmal so hoch ist wie bei rückwärtsgerichteten Sitzen!

Im Minikid kann Ihr Kind bis zu 25 kg rückwärtsgerichtet reisen.

Verwenden Sie immer den Stützfuß beim Montieren des Minikid Sitzes. Der Stützfuß ist ein sehr wichtiges Sicherheitsmerkmal, das entwickelt wurde, um die Sicherheit des Kindes im Falle eines Unfalls zu erhöhen.

Nach einem Unfall sollte das Kinderrückhaltesystem, unbeachtet der Schwere des Unfalls, ersetzt werden. Es können nicht sichtbare Schäden entstanden sein und dadurch ernsthaft die Sicherheit des Kindes gefährden. Axkid empfiehlt daher, kein gebrauchtes Kinderrückhaltesystem zu kaufen.

Lassen Sie Ihr Kind nie unbeaufsichtigt im Auto

Sichern Sie jegliches Gepäck in Ihrem Fahrzeug, da dies Verletzungen im Falle eines Zusammenstoßes verursachen kann.

Inhalte

Das Minikid Kinderrückhaltesystem ist geeignet für den Einsatz ab etwa sechs Monaten bis sechs Jahre. Dieser Kindersitz kann ausschließlich rückwärtsgerichtet installiert werden.

Bestandteile des Sitzes	11
Erlaubte und unerlaubte Positionen des Kindersitzes	11-12
Rückwärtsgerichtetes Fahren, 0-25 kg mit Fahrzeuggurt und Spanngurt.	12-15
<i>Diese Aufbau kann für Kinder zwischen 0-25kg verwendet werden.</i>	
Entfernen und Anbringen der Stoffbezüge	15-16
Pflege und Wartung	16
Garantie	16

Bestandteile des Sitzes

A	Kopfstütze	J	Absatz
B	Sicherheitsgurt des Kindersitzes	K	Vertikale Einkerbung
C	Gurtschloss	L	Konnektor für Seitenaufprallschutzpolster
D	Schlitz für Sicherheitsgurt	M	Spanngurte
E	Auslöseknopf für Gurt	N	Gurteklemmen
F	Verstellbarer Sicherheitsgurt	O	-
G	Einstellhebel	P	Stützfuß
H	Bremshebel der Kopfstütze	Q	Knopf für Stützfußverlängerung
I	Seitenaufprallschutzpolster	R	Haltegurt zur Verankerung (x2)

Erlaubte und unerlaubte Positionen des Kindersitzes

- 1** Das Kinderrückhaltesystem kann an jedem vorwärtsgerichtetem Beifahrersitz benutzt werden, der einen Dreipunktgurt (i) hat, vorausgesetzt der Airbag ist ausgeschaltet. Das Rückhaltesystem kann nicht mit einem 2-Punkt Beckengurt benutzt werden (ii).

WICHTIG: Verwenden Sie den Kindersitz nicht auf Sitzplätzen mit aktiven Airbags oder schalten Sie den Airbag entsprechend aus. Gegebenenfalls muss dies durch einen Service-Techniker durchgeführt werden. Bitte überprüfen Sie immer die Kontrollleuchte, die anzeigt, ob der Airbag ausgeschaltet ist.

WARNUNG: Verwenden Sie den Kindersitz niemals auf Sitzplätzen mit aktiven Airbags

WARNUNG: Verwenden Sie den Kindersitz niemals auf rückwärts- oder seitwärtsgerichteten Fahrzeugsitzen.

WARNUNG: Airbags wurden für Erwachsene entwickelt und können Ihr Kind bei einem Unfall ernsthaft gefährden.

Erlaubte und unerlaubte Positionen des Kindersitzes

Befahrersitz (kein aktiver Airbag)	Ja
Beifahrersitz (aktiver Airbag)	NEIN
Vorwärtsgerichteter Sitz mit Drei-Punkt-Gurt	Ja
Sitz mit Zwei-Punkt-Gurt	NEIN
Seitlich gerichtete Sitze	NEIN
Rückwärtsgerichtete Sitze	NEIN



Benutzen Sie den Kindersitz niemals in einem Auto, welches nicht mit einem genehmigten ECE Reg 16 Drei-Punkt-Gurt ausgestattet ist.

Rückwärtsgerichtetes fahren, 0-25kg mit Fahrzeuggurt und Spanngurt.

Einbau des Sitzes

- 2 Heben Sie den Minikid mit der Rückseite zuerst in das Fahrzeug. Platzieren Sie den Kindersitz so, dass die Rückseite zur Fahrtrichtung ausgerichtet ist.
- 3 Der Absatz (J) muss dabei über den Rand des Fahrzeugsitzes hinausragen. Die vertikale Einkerbung (K) am Absatz sollte gleichmäßig zur Kante des Fahrzeugsitzes ausgerichtet sein. Beim Einbau in kleineren Fahrzeugen oder wenn Ihr Kind keine extra lange Beinfreiheit benötigt, können Sie den Absatz auch auf den Fahrzeugsitz stellen.

Hinweis: Beim Befestigen des Minikid am Vordersitz kann die Rückseite des Kindersitzes das Armaturenbrett berühren.

- 4 Zum Einstellen der Neigung drücken Sie den Hebel (G) und suchen Sie eine der fünf Liegepositionen aus. Wählen Sie einen möglichst aufrechten Winkel, wobei die Neigung so zu wählen ist, dass der Kopf des Kindes beim Schlafen nicht nach vorne fällt. Eine Daumenregel besagt, dass je älter die Kinder werden, desto aufrechter kann der Sitz eingestellt werden. Beachten Sie auch, dass sich der Kindersitz durch Festziehen der Gurte etwas nach unten in den Fahrzeugsitz neigt.



Verwenden Sie den Kindersitz niemals auf Sitzplätzen mit aktiven Airbags.



Befestigen des Sicherheitsgurtes

- 5 Öffnen Sie die Gurtsperre (N) an beiden Seiten des Minikid. Ziehen Sie den Sicherheitsgurt vollständig heraus bis der Beckengurt etwa 70-80 cm lang ist. Ziehen Sie den Gurt durch den Schlitz (D) unterhalb des Sitzpolsters bis der Gurt auf der anderen Seite wieder herauskommt. Wenn Sie möchten, können Sie den Gurt auch über das Polster spannen.
- 6 Stecken Sie den Sicherheitsgurt in das Gurtschloss und ziehen Sie den Gurt fest. Sichern Sie sowohl den Hüftgurt als auch den Schultergurt in der Gurtsperre am Gurtschloss möglichst eng am Autositz.
- 7 In der Gurtsperre auf der anderen Seite wird nur der Hüftgurt gesichert.

Anbringen der Spanngurte

Einige Fahrzeuge verfügen bereits über Verankerungspunkte an der Sitzschiene des Vordersitzes oder an der Vorderseite des Beifahrersitzes.

- 8 Falls Ihr Fahrzeug diese Verankerungspunkte nicht hat, müssen Sie die mitgelieferten Haltegurte verwenden.
- 9 Zum Befestigen des Kindersitzes auf dem Rücksitz, ziehen Sie das Ende des Haltegurtes entweder durch die Rückseite der Sitzschiene oder einen anderen Befestigungspunkt am Vordersitz. Der Verankerungspunkt sollte sich so nah wie möglich am Fahrzeugboden befinden. Ziehen Sie dabei den Gurt immer durch eine der Öffnungen des Bandes, sodass eine Schlaufe entsteht und ziehen Sie diese fest. Dies sollte an beiden Seiten vorgenommen werden, damit zwei Verankerungspunkte vorhanden sind.
- 10 Beim Einbau des Minikid am Vordersitz müssen die Haltegurte an der vorderen Gleitschiene befestigt werden.
- 11 Ziehen Sie die Spanngurte (M) aus dem Gurtgehäuse auf eine geeignete Länge heraus.
- 12 Prüfen Sie, ob die weiße Markierung am Gurt sichtbar ist (i). Falls nicht überkreuzen Sie die Gurte (ii).
- 13 Befestigen Sie die Spanngurte direkt an den Verankerungspunkten. Drücken Sie anschließend mit Ihrem ganzen Körpergewicht die Rückenlehne auf einer Seite fest herunter (i). Wiederholen Sie dies auch auf der anderen Seite (ii). Dadurch werden die Spanngurte gestrafft.
- 14 Neigen Sie den Stützfuß (P) bis zu seinem maximalen Winkel. Drücken Sie den Knopf für die Stützfußverlängerung (Q) und verlängern Sie den Stützfuß bis zum Boden. Hinweis: Der Gurt am Stützfuß kann aber muss nicht vollständig gespannt werden.

- 15 Prüfen Sie hierbei, ob der Stützfuß einen Winkel von mehr als 10° ausgehend von der Rückseite des Sitzes hat. Eindeutiges Zeichen dafür ist, wenn das Stützbein weiter vom Sitz weg ist, als die vertikale Linie.
- 16 Drücken Sie nun erneut den Kindersitz an beiden Seiten runter (i)(ii), damit sich die Spanngurte automatisch nochmals nachziehen.

Wenn Sie den Minikid auf dem Rücksitz eingebaut haben, können Sie Ihren Vordersitz in eine komfortable Position einstellen.

Hinweis: Die Rückseite des Kindersitzes kann den Vordersitz berühren.

Verwendung des Seitenaufprallschutzpolsters

Obwohl optional, empfehlen wir **DRINGEND** überall dort, wo es möglich ist, das Seitenaufprallpolster zu verwenden, um zusätzlichen Schutz vor Seitenkollisionen zu bieten.

- 17 Bringen Sie den Konnektor für das Seitenaufprallschutzpolster (L) am Kindersitz so an, dass er sich an der nächstgelegenen Außenseite des Fahrzeugs befindet (d.h. zur nächstgelegenen Tür hin).

WICHTIG: Achten Sie darauf, dass die beiden dreieckigen Pfeile (i) am Seitenaufprallschutzpolster (I) in dieselbe Richtung zeigen wie der dreieckige Pfeil am Konnektor des Seitenaufprallschutzpolsters (L).

Legen Sie den Seitenaufprallschutz mit der Unterseite auf die Seitenfläche des Sitzes über den Seitenaufprallkonnektor. Drücken Sie das Seitenaufprallpolster gegen die Seite des Autositzes und schieben Sie das Seitenaufprallpolster nach oben auf den Seitenaufprallkonnektor. Sie hören ein leichtes Klicken, wenn das Seitenaufprallpolster einrastet.

Abnehmen: Schieben Sie das Seitenaufprallpolster nach unten und entfernen Sie dieses.

Befestigen des Kindes im Kindersitz

- 18 Drücken Sie den Auslöseknopf für den Gurt (E) und ziehen Sie die Schultergurte vorwärts (nicht die Schulterpolster), um den Gurt vollständig zu lösen.
- 19 Drücken Sie den roten Auslöseknopf am Gurtschloss (i) und lösen Sie den Gurt.
- 20 Setzen Sie Ihr Kind in den Kindersitz. Legen Sie die Arme des Kindes zwischen die Schultergurte, sodass die Gurte über der Brust und dem Bauch des Kindes hängen.
- 21 Ziehen Sie die Schultergurte zusammen und stecken Sie diese in das Gurtschloss.
- 22 Ziehen Sie den Verstellgurt (F) an. Achten Sie darauf den Gurt immer gerade und zentral anzuziehen. Dadurch wird der Gurt gestrafft und die Kopfstütze automatisch in eine angemessene Höhe heruntergezogen.

Kopfschutz durch Feststellbremse an der Kopfstütze

- 23 Die Kopfstütze an Ihrem Minikid ist mit einer Feststellbremse ausgestattet. Diese kann benutzt werden, um die Kopfstütze in eine fixe Position zu bringen. Um diese zu aktivieren müssen Sie an dem Verstellgurt ziehen bis sich die Kopfstütze in der gewünschten Höhe befindet. Sie hören einen leichten "Klick", sobald die Kopfstütze eingerastet ist. Überprüfen Sie, ob die Kopfstütze nicht mehr nach unten gezogen werden kann und aktivieren Sie die Feststellbremse, indem Sie den Hebel (H) nach rechts bewegen.

WARNUNG: Ziehen Sie die Kopfstütze nicht nach oben, wenn die Feststellbremse aktiviert ist.

Entfernen und Anbringen der Stoffbezüge

WARNUNG: Verwenden Sie den Kindersitz niemals ohne Stoffbezüge. Diese sind ein wesentliches Sicherheitsmerkmal.

- 24 Entfernen Sie das Seitenaufprallschutzpolster (I), falls angebracht und stellen Sie sicher, dass der Bremshebel der Kopfstütze (H) entriegelt ist, indem Sie diesen nach links drehen.
- 25 Drücken Sie den Auslöseknopf für den Gurt (E) und ziehen Sie die Schultergurte vorwärts (nicht die Schulterpolster), um den Gurt vollständig zu lösen.
Hinweis: Wenn sich die Kopfstütze nicht löst, prüfen Sie, ob der Bremshebel der Kopfstütze (H) entriegelt ist. Das Entfernen der Kopfstützenabdeckung wird erleichtert, indem Sie die Kopfstütze in die oberste Position bringen.
- 26 Lösen Sie vorsichtig die elastischen Schlaufen (i) an beiden Seiten der Kopfstütze von jedem Haken (ii) und entfernen Sie die Kopfstützenabdeckung.
- 27 Öffnen Sie die beiden Reißverschlüsse an der Kopfstütze (einer an der rechten Unterseite und einer an der Rückseite der Kopfstütze (ii))

Beginnen Sie von rechts und ziehen Sie die Abdeckung vorsichtig von der Kopfstütze ab. Sobald die Abdeckung der Kopfstütze entfernt wurde, rasten Sie die Kopfstütze wieder in die unterste Position ein. Dies hilft beim Entfernen der Sitzabdeckung.

- 28 Drücken Sie den roten Auslöseknopf des Gurtes, um den Gurt zu lösen und das Schrittpolster zu entfernen.
- 29 Öffnen Sie die drei Reißverschlüsse an der Sitzabdeckung (einer auf jeder Seite (i) und einer auf der Rückseite (ii)). Vergewissern Sie sich, dass Sie die Reißverschlüsse an den Seiten vollständig öffnen (i)
- 30 Lösen Sie alle Druckknöpfe (i), (ii), (iii).
- 31 Lösen und entfernen Sie den Plastikstreifen entlang der Vorderseite des Kindersitzes. **WICHTIG!** Stellen Sie sicher, dass Sie nur den Plastikstreifen ziehen und nicht den Stoff. Entfernen Sie vorsichtig die Sitzabdeckung von dem Gurtverstellergehäuse (ii).

WICHTIG: Bewahren Sie den Kunststoffstreifen sicher auf, damit Sie den Bezug wieder befestigen können. Sollten Sie den Plastikstreifen verlieren, kontaktieren Sie Ihren Händler wegen Ersatz.

32 An der Rückseite des Sitzes ist der Bezug mit einem kleinen Plastikröhrchen in den Rücksitz eingeklippt. Ziehen Sie die Schiene zusammen mit dem Stoff vorsichtig heraus und entfernen Sie das Plastikröhrchen durch seitliches Herausschieben.

Sie können jetzt den Sitzbezug entfernen. An manchen Stellen des Sitzes befinden sich Klettverschlüsse. Achten Sie darauf, dass diese behutsam auseinandergemacht werden.

Um den Stoffbezug wieder zu befestigen, gehen Sie in umgekehrter Reihenfolge vor und stellen Sie sicher, dass der Gurt und die Schulterpolster richtig angebracht sind.

Pflege und Wartung

Der Sitzbezug ist abnehmbar und kann bei 30°C im Schonverfahren in der Waschmaschine gewaschen werden. Nicht geeignet für Trockner, dies kann den Bezug beschädigen. Videos zum Entfernen und Anbringen des Stoffbezuges finden Sie unter www.axkid.com oder unter www.vital-innovations.de

Jedes Plastikteil des Minikid kann mit einem milden Waschmittel und Wasser gereinigt werden. Verwenden Sie keine aggressiven Reiniger, die Lösungsmittel etc. enthalten. Dies kann zu Schäden führen und die Sicherheit des Kinderrückhaltesystems beeinträchtigen.

Alle Materialien, die im Minikid Rückhaltesystem verwendet werden, sind wiederverwendbar und sollten gemäß der örtlichen und nationalen Vorschriften entsorgt werden. Fragen Sie Ihr lokales Recycling-Unternehmen um Rat.

Führen Sie keine Veränderungen am Minikid Rückhaltesystem durch als die, in dieser Bedienungsanleitung beschrieben. Befolgen Sie die Anleitungen sorgfältig. Jegliche Reparaturen müssen durch den Hersteller oder Händler durchgeführt werden.

Wenn der Sitzbezug ersetzt werden muss, stellen Sie sicher, dass nur Originalprodukte von Axkid verwendet werden. Falls andere Produkte benutzt werden, kann das Minikid Sicherheitssystem beeinträchtigt werden. Hierbei kann es im Falle eines Unfalls zu schweren Verletzungen oder zum Tod führen.

Alle verwendeten Materialien haben eine sehr hohe UV-Beständigkeit. Dennoch ist das UV-Licht sehr aggressiv und wird letztlich zum Verblässen des Sitzbezuges führen. Dies wird nicht durch unsere Garantie abgedeckt, da es sich hier um normale Abnutzung handelt.

Garantie

Der Garantiezeitraum beträgt 24 Monate ab Kaufdatum. Bewahren Sie Ihren Kaufbeleg gut auf. Dieser muss im Falle eines Garantieanspruchs vorgezeigt werden. Folgendes wird nicht von der Garantie abgedeckt:

- normale Abnutzung
- Schäden durch unsachgemäße Verwendung, Vernachlässigung oder Unfall
- Reparaturen durch Dritte

Axkid Minikid

Tyłem do kierunku jazdy w grupie 0-25kg na pas samochodowy oraz pętlę

Instrukcja obsługi

Ważne informacje

Przed montażem fotelika MINIKID w samochodzie przeczytaj instrukcję obsługi. Więcej informacji oraz filmy instruktażowe znajdziesz na: www.axkid.com.

Dziękujemy za wybranie fotelika marki Axkid. Nasz zespół ma łącznie ponad 30 lat doświadczenia w projektowaniu i produkcji fotelików i zrobiliśmy wszystko co możliwe aby Axkid MINIKID był jak najbezpieczniejszym fotelikiem do Twojego dziecka. Fotelik MINIKID jest zgodny z normą ECE R44/04, najnowszą europejską dyrektywą w sprawie bezpieczeństwa dzieci w aucie. Aby zapewnić dziecku maksymalne bezpieczeństwo należy pamiętać o następujących kwestiach:

Zanim przystąpisz do instalacji fotelika w samochodzie przeczytaj uważnie instrukcję montażu. W razie problemów z instalacją poproś o pomoc swojego sprzedawcę. Niepoprawnie zamontowany fotelik może być niebezpieczny dla dziecka.

Rekomendujemy używanie fotelika 0-13kg do momentu w którym dziecko potrafi samodzielnie i stabilnie siedzieć. Nie polecamy używać fotelika Minikid 0-25kg od narodzin, ponieważ młodsze dzieci potrzebują innego rodzaju zabezpieczenia przez pierwsze miesiące życia.

Nie montuj fotelika tyłem do kierunku jazdy na przednim siedzeniu z aktywną poduszką powietrzną. Jeśli chcesz zamontować fotelik w tym miejscu poduszka musi być wyłączona przez autoryzowaną stację obsługi. Niektóre samochody są wyposażone w ręczny wyłącznik poduszki powietrznej. Zawsze sprawdzaj czy kontrolka włączonej poduszki powietrznej jest nieaktywna.

Przewoź swoje dziecko tyłem do kierunku jazdy jak najdłużej. Rozległe badania pokazują, że ryzyko poważnych obrażeń jest pięć razy większe jeżeli dziecko siedzi przodem do kierunku jazdy w porównaniu do jazdy tyłem. W foteliku MINIKID dziecko może podróżować tyłem do 25kg.

Zawsze używaj nogi wspierającej jeżeli fotelik jest zamontowany tyłem do kierunku jazdy. Noga wspierająca jest bardzo ważnym elementem zaprojektowanym w taki sposób aby maksymalnie zwiększyć bezpieczeństwo Twojego dziecka w foteliku.

Jeśli miałeś kolizję, bez znaczenia jak była poważna powinieneś wymienić fotelik na nowy. Mogą wtedy powstać niewykrywalne uszkodzenia narażające na niebezpieczeństwo Twoje dziecko. Dlatego Axkid nie zaleca kupować fotelików z drugiej ręki.

Nigdy nie zostawiaj swojego dziecka w samochodzie bez opieki.

Upewnij się, że Twój bagaż i wszystkie obiekty w samochodzie są zabezpieczone ponieważ luźne elementy mogą poważnie zagrażać Tobie oraz pasażerom w trakcie kolizji.

Zawartość

Fotelik minikid jest przeznaczony dla dzieci od ok.6 Miesiąca życia lub od chwili kiedy dziecko potrafi siedzieć aż do szóstego roku życia. Ten fotelik może być zamontowany tylko tyłem do kierunku jazdy.

Części składowe fotelika	18
Poprawne ustawienie fotelika w samochodzie	18-19
Tyłem do kierunku jazdy w grupie 0-25 kg za pomocą pasów oraz pętli montażowych	19-22
Odpowiednie dla dzieci w przedziale 0-25 kg.	
Zdejmowanie i zakładanie tapicerki	22-23
Pielęgnacja i konserwacja	23
Warunki gwarancji	23

Części składowe fotelika

A	Zaglówek	J	Wskaźnik ustawienia fotelika względem kanapy
B	Zintegrowana uprząż	K	Ogranicznik wysunięcia fotelika
C	Klamra spinająca pasy	L	Łącznik dodatkowej osłony bocznej
D	Szczelina na pas trzypunktowy	M	Pasy montażowe wraz ze zwiłką
E	Przycisk regulacji pasów	N	Klamra blokady pasów
F	Pasek do regulacji	O	-
G	Przycisk regulacji pochylecia	P	Noga wspierająca
H	Blokada mechanizmu automatycznej regulacji zagłówka	Q	Przycisk regulacji długości nogi
I	Dodatkowa osłona boczna	R	Dolne kotwy montażowe (x2)

Poprawne ustawienie fotelika w samochodzie

1 Fotelik może być użytkowany na przednim siedzeniu pasażera jeśli jest wyposażone w trzypunktowy pas bezpieczeństwa, a poduszka powietrzna nie jest aktywna. Fotelik nie może być użytkowany z pasami dwupunktowymi.

WAŻNE: Jeśli chcesz zamontować fotelik Minikid w samochodzie wyposażonym w poduszkę powietrzną, musi być ona wyłączona w autoryzowanym serwisie obsługi. Niektóre samochody mają ręcznie wyłączaną poduszkę powietrzną. Należy zawsze sprawdzać czy kontrolka poduszki pokazuje, że jest ona nieaktywna.

UWAGA: Nigdy nie montuj fotelika na siedzenie z aktywną poduszką powietrzną.

UWAGA: Nie używać na fotelach samochodowych ustawionych bokiem lub tyłem do kierunku jazdy

UWAGA: Poduszki powietrzne są przeznaczone dla osób dorosłych i mogą stanowić poważne zagrożenie dla dzieci

Poprawne ustawienie fotelika w samochodzie.

Przedni fotel pasażera (poduszka nieaktywna)	Tak
Przedni fotel pasażera (poduszka aktywna)	NIE
Siedzenie z pasem trzypunktowym	Tak
Siedzenie z pasem dwupunktowym	NIE
Siedzenie ustawione bokiem do kierunku jazdy	NIE
Siedzenie ustawione tyłem do kierunku jazdy	NIE



Nigdy nie używaj fotelika w aucie które nie ma pasów trzypunktowych zgodnych z normą ECE Reg 16.

Tyłem do kierunku jazdy za pomocą pasów

Umieszczenie fotelika w pojeździe

- 2 Aby włożyć fotelik do pojazdu najłatwiej jest chwycić za tylną część. Umieść fotelik w samochodzie opierając go o przedni fotel.
- 3 Ogranicznik wysunięcia fotela (K) powinien być na krawędzi kanapy. Wskaźnik wysunięcia fotela powinien znajdować się końcu kanapy w pozycji pionowej. Jeśli fotelik jest instalowany w małym samochodzie lub dziecko nie potrzebuje dodatkowego miejsca na nogi można ustawić fotelik bliżej oparcia tylnej kanapy. Dzięki temu zyskamy miejsca na większe odchylenie fotelika.

Uwaga: Kiedy montujesz fotelik na przednim siedzeniu jest możliwe, ale nie konieczne oparcie fotelika o deskę rozdzielczą auta.

- 4 Aby zmienić kąt nachylenia fotelika naciśnij przycisk regulacji stopnia nachylenia (G) i wybierz jeden z pięciu poziomów. Zawsze ustawiaj taką pozycję w której dziecko jest jak najbardziej wyprostowane, a zarazem taką w której dzieku nie opada głowa w trakcie snu. Zazwyczaj im dziecko starsze tym bardziej siedzącą pozycję powinieneś wybrać. Pamiętaj, że kiedy zakończysz montaż fotelika, to jego pozycja będzie bardziej odchylona niż przed montażem, ponieważ pasy mocno dociskają go do siedzenia samochodu.



Nigdy nie montuj fotelika na miejscu wyposażonym w aktywną poduszkę powietrzną.



Zapięcie samochodowych pasów bezpieczeństwa

- 5 Otwórz klamry po obu stronach fotelika (N). Wyciągnij około 70-80cm pasów I połącz je w jeden pas. Przelóż tak złączone pasy przez otwór (D), pomiędzy tapicerką a fotelikiem – może być też na tapicerce. Przeciągnij pas aż wyjdzie on z drugiej strony fotelika.
- 6 Zapnij pasy w klamrę wychodzącą z siedzenia. Ciągnij za pas dopóki wszystkie luzy zostaną skasowane a pas będzie napięty. Zabezpiecz pas piersiowy I biodrowy od strony klamry w którą wpinałeś pasy.
- 7 Klamra po przeciwnej stronie powinna przytrzymywać tylko pas biodrowy.

Dodatkowe pasy mocujące

Niektóre samochody mogą mieć fabrycznie zainstalowane specjalne uchwyty do pasów mocujących umieszczone przy prowadnicy przedniego fotela lub z przodu fotela pasażera.

- 8 Jeśli Twój pojazd nie ma fabrycznych punktów montażowych, konieczne jest by użyć dodatkowych pasów mocujących.
- 9 Przy montażu na tylnym siedzeniu, pętle montażowe powinny być przymocowane do prowadnicy przedniego fotela, lub w miejscu łączenia się siedziska z oparciem. Warto zamontować pętle w taki sposób aby punkty montażowe znajdowały się jak najbliżej podłogi samochodu. Pętle montażowe instalujemy poprzez przełożenie metalowej końcówki pasa przez jeden z otworów znajdujących się w miejscach oznaczonych białym znacznikiem. Należy utworzyć 2 punkty montażowe po jednym z każdej strony.
- 10 W przypadku montażu MINIKID na przednim siedzeniu dodatkowe pętle mocujące powinny być przymocowane od przodu siedzenia więc punkty montażowe będą znajdować się przy krawędzi przedniego siedzenia.
- 11 Wyciągnij górną część pasa z obudowy fotela na odpowiednią długość tak aby sięgnąć do punktów montażowych.
- 12 Upewnij się, że biała linia na pasie montażowym jest widoczna. Jeśli nie, to możesz skrzyżować pasy i poprowadzić je na skos do przeciwnych pętli montażowych w taki sposób aby wyciągnąć odpowiednią długość pasków.
- 13 Przypnij paski do zamontowanych pętli montażowych lub do fabrycznych uchwytów. Docisnij fotelik od góry z każdej ze stron tak aby zwijarka napięła paski. Ważne jest to aby napiąć paski jak najmocniej. Możesz użyć do tego całej masy swojego ciała aby docisnąć fotelik w odpowiedni sposób.
- 14 Rozstaw nogę fotelika (P). Naciśnij przycisk regulacji nogi (Q) i wydłuż ją aż dosięgnie podłogi. Uwaga: Paski ograniczające nogę mogą, lecz nie muszą być całkowicie napięte.

- 15 Ważne jest aby noga była w pozycji pionowej, lub skierowana w stronę przodu auta. Zapewnia to prawidłowe działanie nogi wspierającej. Jeśli noga ucieka pod fotel powtórz montaż ponownie.
- 16 Teraz dociągnij mocno pasy i upewnij się, że noga wspierająca nie rusza się po podłodze, a fotelik stabilnie trzyma się siedzenia. Można poruszać fotelem z lewej strony na prawą co pomoże napiąć pasy

Po zamontowaniu fotelika Minikid, możesz dopasować przedni fotel pasażera.

Uwaga: Tył fotelika może, ale nie musi stykać się z przednim fotelem pasażera.

Używanie dodatkowej osłony bocznej

Chociaż osłona jest opcjonalna, **BARDZO** mocno rekomendujemy jej użycie, jako sposób na lepszą ochronę przy uderzeniach bocznych.

- 17 Umieść łącznik osłony (L) na boku fotelika od strony drzwi pojazdu.

WAŻNE: Upewnij się, że dwie strzałki (!) na osłonie (!) wskazują ten sam kierunek co strzałka umieszczona na łączniku (L).

Umieść dwa owalne otwory na spodniej części osłony nad łącznikiem osłony. Dociśnij osłonę do łącznika i popchnij ją w górę. Poczujesz delikatne kliknięcie, kiedy osłona wskoczy na swoje miejsce

Aby usunąć osłonę popchnij ją w dół aż do zwolnienia zaczepów. Aby usunąć osłonę popchnij ją w dół aż do zwolnienia zaczepów.

Umieszczenie dziecka w foteliku

- 18 Naciśnij przycisk regulacji pasów (E) i pociągnij do przodu pasy naramienne (nie okładki pasów) aby całkowicie poluzować uprząż.
- 19 Naciśnij czerwony przycisk na zamku pasów aby rozpiąć pasy.
- 20 Posadź dziecko w foteliku. Włóż ramiona i ręce dziecka pod pasy tak aby znajdowały się w okolicy klatki piersiowej i brzucha.
- 21 Złóż klarmy pasów w jedną nakładając prawy element na lewy i wciśnij razem w zamek pasa krokowego.
- 22 Pociągnij pasek regulujący długość pasów. (F). Ważne jest aby zawsze dociągać pasek centralnie i prosto w osi fotelika. To ułatwi dopasowanie zagłówka oraz odpowiednie napięcie pasów.

Ustawienie wysokości zagłówka

23 Fotelik Minikid jest wyposażony w blokadę regulacji zagłówka. Może on być użyty kiedy chcesz zablokować zagłówek w określonym położeniu. Aby skorzystać z blokady naciśnij pasek do regulacji napięcia uprząży aż do momentu gdy zagłówek ustawi się w pożądanej wysokości. Upewnij się, że zagłówek jest ustawiony odpowiednio do wysokości dziecka a następnie przesunij dźwignię znajdującą się na szczycie zagłówka w prawo.

Uwaga: Przed regulacją zagłówka upewnij się, że pasy są poluzowane a dźwignia przesunięta na lewą stronę.

Zdejmowanie i zakładanie tapicerki

UWAGA: Nigdy nie używaj fotelika bez tapicerki. Tapicerka jest integralną częścią fotelika

24 Usuń dodatkową osłonę boczną (I) i upewnij się, że mechanizm regulacji zagłówka (H) jest w pozycji odblokowanej.

25 Naciśnij przycisk regulacji pasów (E) i pociągnij do przodu pasy naramienne (nie okładki pasów) aby całkowicie poluzować uprząż.

Uwaga: Jeśli zagłówek się nie podnosi, sprawdź czy mechanizm jest odblokowany (H). Wysunięcie zagłówka do maksymalnej wysokości ułatwi zdejmowanie tapicerki.

26 Wymacaj elastyczne pętelki (i). Pętelki są zamocowane do zagłówka za pomocą haczyków haczyków (ii). Używając palca wskazującego delikatnie zdejmij pętelki z każdego haczyka.

27 Rozepnij dwa zamki błyskawiczne na materiale zagłówka.

Zaczynając od prawej strony delikatnie zsuń pokrycie z zagłówka. Po usunięciu tapicerki z zagłówka, obniż go z powrotem i zablokuj, to ułatwi zdjęcie pozostałej tapicerki.

28 Naciśnij czerwony przycisk na zamku pasów aby rozpiąć pasy i usuń osłonkę pasa krokowego.

29 Rozepnij trzy zamki błyskawiczne, jeden z tyłu fotelika(ii) i dwa po jego bokach (i). Upewnij się, że zamki są całkowicie rozpięte.

30 Rozepnij wszystkie napy (i) (ii) (iii).

31 Delikatnie podważając wypnij i usuń plastikową listwę (I) w dolnej części frontu fotelika. **UWAGA:** upewnij się, że ciągniesz za listwę, nie za materiał tapicerki. Delikatnie wysuń tapicerkę z maskownicy paska regulacji uprząży.

WAŻNE: zachowaj plastikową listwę w bezpiecznym miejscu do czasu ponownej instalacji tapicerki, w przypadku zgubienia listwy skontaktuj się ze swoim sprzedawcą.

Delikatnie wyciągnij plastikową tyczkę przytrzymującą tapicerkę do siedziska fotelika. Delikatnie, poczynając od dołu, ściągaj pokrycie ze skorupy fotelika.

Aby założyć tapicerkę powtórz powyższe czynności w odwrotnej kolejności.

Pielęgnacja i konserwacja

Tapicerka jest zdejmowana i może być prana w pralce w temperaturze 30° C na delikatnym programie. Nie suszyć w suszarkach ponieważ tapicerka może ulec uszkodzeniu a wyściółka odłączyć się od materiału
Odwiedź www.axkid.com by dowiedzieć się jak poprawnie zdjąć tapicerkę z fotelika.

Wszystkie części plastikowe mogą być czyszczone za pomocą detergentów. Nie używać mocnych środków chemicznych, np. Rozpuszczalników do czyszczenia fotelika. Mogą one spowodować uszkodzenie plastiku a co za tym idzie obniżenie bezpieczeństwa jakie fotelik zapewnia.

Wszystkie materiały użyte do produkcji fotelika Minikid podlegają recydingowi zgodnie z lokalnym ustawodawstwem. Przed oddaniem fotelika do utylizacji należy zasięgnąć rady specjalisty.

Nie modyfikuj fotelika MINIKID w żaden inny sposób niż ten opisany w instrukcji obsługi. Ściśle trzymaj się zaleceń z instrukcji. Wszystkie naprawy muszą być przeprowadzone przez autoryzowany serwis.

Jeśli tapicerka wymaga wymiany, może być zastąpiona tylko przez dedekowany przez Axkid zamiennik. Użycie innych akcesoriów niż te rekomendowane przez Axkid może prowadzić do znacznego obniżenia bezpieczeństwa jaki fotelik zapewnia a nawet mogą prowadzić do śmierci.

Wszystkie tapicerki Axkid są odporne na promieniowanie UV jednakże od częstego wystawiania fotelika na działanie promieni słonecznych kolory tapicerki mogą ulec zmianie. Jest to uznane za normalne zużycie i nie jest objęte gwarancją.

Warunki gwarancji

Foteliki Axkid Minikid są objęte 24 miesięczną gwarancją obowiązującą od daty zakupu. Upewnij się, że posiadasz dowód zakupu, ponieważ będzie on niezbędny w procesie reklamacji fotelika jeżeli taka nastąpi. Gwarancja nie obejmuje:

- * Usterek wynikających z normalnego użytkowania produktu
- * Uszkodzeń powstałych w wyniku niewłaściwego użytkowania, zaniedbania lub powstałych w czasie kolizji
- * Jeśli fotelik był naprawiany przez osoby trzecie

Axkid Minikid

Mirando hacia atrás 0-25 kg con el cinturón de seguridad del vehículo y correas de sujeción

Manual de instrucciones

Información importante

Lea atentamente este manual de instrucciones antes de instalar la silla de seguridad infantil Minikid en su vehículo. Para más información y videos sobre la instalación, visite www.axkid.com.

Gracias por elegir una silla de seguridad infantil Axkid. El equipo que ha desarrollado Minikid tiene más de 30 años de experiencia en productos de seguridad infantil, y hemos puesto toda esa experiencia y todo nuestro esfuerzo en hacer la silla de seguridad Minikid la más segura posible. La silla Minikid está testada y certificada según la norma ECE R44/04, la más reciente normativa europea sobre seguridad infantil. Para maximizar la seguridad de su hijo, recuerde lo siguiente:

Lea atentamente este manual de instrucciones antes de instalar la silla Minikid. Si tiene cualquier duda, contacte con su tienda, donde le asesorarán para una correcta instalación. Una instalación incorrecta puede poner en peligro a su hijo.

Axkid recomienda siempre usar una mochila porta bebés desde que el niño nace hasta que puede sentarse recto sin ayuda. Axkid no recomienda usar Minikid 0-25 kg desde el nacimiento, ya que los niños más pequeños necesitan mayor apoyo y protección durante sus primeros meses de vida.

Nunca instale la silla de seguridad en el asiento de un vehículo con un airbag activado. Si quiere instalar Minikid de todas formas, el airbag debe ser desconectado por un servicio técnico autorizado, o si su vehículo está equipado con el interruptor que permite desconectar el airbag manualmente, use la llave para desconectarlo. Es importante comprobar siempre que el indicador luminoso del vehículo muestre que el airbag está desconectado.

Numerosas investigaciones han demostrado que el riesgo de sufrir lesiones graves para un niño pequeño es cinco veces mayor cuando va sentado en una silla de seguridad mirando hacia adelante, en comparación a ir sentado mirando hacia atrás. En la silla Minikid su hijo puede viajar mirando hacia atrás hasta los 25 kg. de peso.

Use siempre la pata de apoyo al instalar y usar la silla Minikid. La pata de apoyo es un elemento de seguridad muy importante, diseñada para maximizar la seguridad de su hijo en caso de accidente.

En caso de accidente de tráfico, por pequeño que sea, sustituya siempre la silla de seguridad por una nueva. La silla podría sufrir algún daño que no se detecte a simple vista, y de ese modo poner seriamente en peligro la seguridad de su hijo. Por esta razón Axkid no recomienda adquirir sillas de seguridad de segunda mano.

Nunca deje al niño solo desatendido en el vehículo.

Asegúrese de que cualquier equipaje o carga que lleve en el vehículo quedan firmemente sujetos. Así evitará lesiones al niño y a los demás pasajeros en caso de colisión.

Índice

La silla de seguridad infantil Minikid puede usarse a partir de los seis meses de edad del niño, o desde que el niño puede sentarse solo sin apoyo, hasta la edad de seis años aproximadamente. Esta silla de seguridad Minikid SOLO puede ser instalada mirando hacia atrás.

Partes	4
Instalación correcta e incorrecta de la silla de seguridad	4-5
Mirando hacia atrás 0-25 kg con el cinturón de seguridad del vehículo y correas de sujeción 5-8	5-8
Axkid recomienda esta instalación cuando el niño pesa entre 0-25 kg.	
Cómo quitar y poner las fundas	8-9
Cuidado y mantenimiento	9
Garantía	9

Partes

A	Reposacabezas	J	Alzas
B	Arnés interno de 5 puntos	K	Señal de línea vertical
C	Broche del arnés interno	L	Conector de la almohadilla de protección lateral
D	Ranura para el cinturón de seguridad	M	Sistema de sujeción por medio de correas
E	Palanca de ajuste del arnés interno de 5 puntos	N	Pinza de sujeción del cinturón de seguridad
F	Correa de ajuste del arnés interno de 5 puntos	O	-
G	Palanca de ajuste de inclinación	P	Pata de apoyo
H	Palanca de freno del reposacabezas	Q	Botón de extensión de la pata de apoyo
I	Almohadilla de protección lateral	R	Correas de sujeción inferiores (x2)

Instalación correcta e incorrecta de la silla de seguridad

1 Minikid puede usarse mirando hacia atrás en cualquier asiento del vehículo que tenga cinturón de seguridad de tres puntos (i), y el airbag debe estar siempre desactivado. No usar Minikid con un cinturón de seguridad de dos puntos (ii).

IMPORTANTE: Si desea instalar Minikid en un asiento con airbag, el airbag debe ser desconectado por un servicio técnico autorizado. Algunos vehículos están equipados con un interruptor que permite desconectar el airbag manualmente. Es importante comprobar siempre que el indicador luminoso del vehículo muestre que el airbag está desconectado.

ADVERTENCIA: No instale nunca Minikid en un asiento del vehículo con el airbag activado.

ADVERTENCIA: No instale nunca Minikid en asientos que estén mirando en sentido contrario o de lado.

ADVERTENCIA: Los airbags están diseñados para los adultos, y pueden lesionar gravemente al niño en caso de accidente.

Instalación correcta e incorrecta de la silla de seguridad Minikid:

Asiento delantero o del copiloto (airbag desconectado)	NO/Si*
Asiento delantero o del copiloto (airbag conectado)	NO
Asiento mirando hacia delante con cinturón de seguridad de 3 puntos	Si
Asiento con cinturón de seguridad de 2 puntos	NO
Asientos mirando de lado	NO
Asientos mirando hacia atrás	NO

* El Reglamento General de Circulación en España, en su artículo 117, establece la prohibición de circular con menores de estatura igual o inferior a 135 centímetros situados en los asientos delanteros del vehículo, salvo excepciones.



No instale la silla de seguridad Minikid en un asiento del vehículo si no tiene cinturón de seguridad de 3 puntos que cumple la normativa ECE Reg 16.

Mirando hacia atrás 0-25 kg con el cinturón de seguridad del vehículo y correas de sujeción

Cómo instalar la silla de seguridad Minikid

- 2 La manera más fácil de instalar la silla Minikid en el vehículo es metiendo primero el respaldo. Coloque la silla Minikid en el asiento del vehículo de forma que el respaldo de Minikid mire hacia la parte delantera del vehículo.
- 3 Las alzas (J) de Minikid deben estar apoyadas sobre el borde del asiento del vehículo. La señal de línea vertical (K) del alza debe alinearse verticalmente con el extremo del asiento del vehículo. Si usted tiene un vehículo pequeño, o si su hijo es aún pequeño y no necesita espacio adicional para las piernas, puede instalar Minikid con las alzas encima del asiento del vehículo, lo cual le permitirá además reclinar la silla un poco más.

Nota: Es posible, pero no necesario, que al instalar Minikid en el asiento del copiloto, el respaldo de Minikid toque el salpicadero del vehículo.

- 4 Para ajustar el ángulo de inclinación del respaldo de Minikid, presione la palanca de ajuste de inclinación (G) y seleccione una de las cinco posiciones de inclinación. El ángulo de inclinación debe ser el más vertical posible en todo momento, siempre que el niño pueda sujetar su cabeza por sí solo, y la inclinación debe ser suficiente para que la cabeza del niño no caiga hacia adelante si se queda dormido. La regla general es que cuanto mayor es el niño, más verticalidad puede tener la silla de seguridad. Tenga en cuenta que la silla Minikid se inclinará ligeramente al instalarla y hundirse en el asiento del vehículo cuando la sujetamos con las correas de sujeción.



Nunca instale una silla de seguridad en un asiento del vehículo que tenga el airbag activado.



Cómo abrochar el cinturón de seguridad del vehículo

- 5 Abra las pinzas de sujeción del cinturón de seguridad (N) a ambos lados de la silla Minikid. Tire del cinturón de seguridad hasta que la cinta tenga como mínimo 70-80 cm de longitud. Pase el cinturón de seguridad por la ranura para el cinturón de seguridad (D) y empujelo de un lado a otro por debajo de la tela, en el hueco entre la funda de tela y el chasis de la silla Minikid, hasta que salga por la otra ranura para el cinturón de seguridad, en el otro lado. Si lo prefiere, puede tirar del cinturón de seguridad y pasarlo de un lado a otro por encima de la tela, hasta llegar a la otra ranura para el cinturón de seguridad (D), en el otro lado.
- 6 Abroche el cinturón de seguridad. Tire con fuerza del cinturón de seguridad para que quede tenso y no quede flojo ningún tramo del cinturón. A continuación sujete ambos, el cinturón de cadera y el cinturón de hombro, con la pinza de sujeción más cercana al broche del cinturón de seguridad del vehículo.

- 7 En la pinza de sujeción del lado contrario sólo tiene que sujetar el cinturón de cadera.

Cómo instalar las correas de sujeción inferiores

Algunos vehículos traen de serie puntos de anclaje en los rieles de los asientos delanteros, o también delante del asiento del copiloto si instalamos la silla de seguridad en el asiento del copiloto.

- 8 Si su vehículo no trae de serie esos puntos de anclaje, debe usar las correas de sujeción inferiores suministradas con Minikid, para crear los puntos de anclaje.
- 9 Si instala Minikid en el asiento trasero del vehículo, inserte el broche de la correa de sujeción bien en la parte trasera de los rieles de los asientos delanteros, bien en el recodo entre el respaldo y el asiento delantero. El punto de anclaje debe estar lo más cerca posible del suelo. Luego, inserte el broche de la correa por la abertura lateral más cercana en la propia correa, para hacer un nudo corredizo, y tire firmemente. Debe repetir esto en ambos lados, para crear dos puntos de anclaje.
- 10 Si instala Minikid en el asiento del copiloto, las correas de sujeción deben ser sujetadas en los rieles delanteros debajo del asiento, o en otro punto de fijación delantero, de forma que los puntos de sujeción de las correas estarán en la parte delantera del asiento del copiloto.
- 11 Tire de la correa de sujeción superior (M) hasta obtener la longitud apropiada.
- 12 Compruebe que las marcas blancas en las correas (i) estén visibles. Si no puede ver las marcas blancas, pruebe a cruzar las correas (ii) para darles longitud adicional, y así poder ver dichas marcas blancas.
- 13 Enganche las correas de sujeción superiores directamente en los dispositivos de anclaje que el vehículo trae de serie (o en las correas de sujeción inferiores si las va a usar). Presione fuertemente la silla hacia abajo apoyándose en la parte superior de la silla, primero en un lado (i) y luego en el otro lado (ii). Al hacer esto, es importante que eche todo el peso de su cuerpo sobre la silla, para que las correas se tensen automáticamente todo lo posible. Esta es la primera acción para tensar las correas de sujeción superiores.

14 Despliegue la pata de apoyo (P) hasta su máximo ángulo. Presione el botón de extensión de la pata de apoyo (Q) y extiéndala hasta que toque el suelo.

Nota: La cinta de la pata de apoyo puede quedar totalmente tensa, aunque no es necesario.

15 Es importante comprobar que el ángulo de la pata de apoyo respecto al respaldo de Minikid es superior a 10°. Puede comprobarlo asegurándose de que la pata de apoyo esté más alejada del asiento del vehículo que la señal de línea vertical.

16 Vuelva a presionar Minikid hacia abajo y en ambos lados (i) (ii), para que las correas se terminen de tensar automáticamente.

Si ha instalado Minikid en el asiento trasero del vehículo, ahora puede mover el asiento delantero del piloto o del copiloto hasta una posición cómoda. **Nota:** Es posible, pero no necesario, que al instalar Minikid en el asiento trasero del vehículo, el respaldo de Minikid toque el respaldo del asiento delantero.”

Cómo usar la almohadilla de protección lateral

Aunque su uso es opcional, **RECOMENDAMOS** usar la almohadilla de protección lateral siempre que sea posible, para una protección extra en caso de colisión lateral.

17 Busque el conector de la almohadilla de protección lateral (L) en el lado de Minikid más cercano al lateral del vehículo (es decir, más cerca de la puerta).

IMPORTANTE: Compruebe que las dos flechas triangulares (i) en la almohadilla lateral (l) apunten en la misma dirección que la flecha triangular del conector de la almohadilla lateral (L).

Coloque la parte superior de las dos aberturas ovales en la parte inferior de la almohadilla de protección lateral sobre el conector de la almohadilla de protección lateral. Empuje la almohadilla de protección lateral contra el lateral de Minikid y deslice la almohadilla de protección lateral hacia arriba hasta el conector. Oirá un ligero clic cuando la almohadilla de protección lateral se acople en la posición correcta.

Para quitarla: empuje la almohadilla de protección lateral hacia abajo y sáquela.

Cómo sentar al niño en la silla Minikid

18 Presione la palanca de ajuste del arnés interno (E) y tire de los tirantes hacia delante (no de las almohadillas para hombros), para soltar el arnés completamente.

19 Presione el botón rojo del broche del arnés interno (i) y desabroche el arnés.

20 Siente al niño en la silla de seguridad Minikid. Coloque los brazos del niño entre los tirantes de los hombros, de modo que los tirantes cuelguen sobre su pecho y estómago.

21 Junte los tirantes de los hombros y abróchelos en el broche del arnés, entre las piernas del niño.

22 Tire de la correa de ajuste del arnés interno (F). Es importante que al tensarla, siempre tire de esta correa en línea recta y horizontal. Esto hará que el arnés se tense y el reposacabezas baje automáticamente hasta la altura apropiada.

Freno del reposacabezas

23 El reposacabezas de su silla de seguridad Minikid viene equipado con un freno. Puede usar el freno si quiere mantener fijo el reposacabezas a una determinada altura. Para activar el freno, tire de la correa de ajuste del arnés interno hasta que el reposacabezas quede a la altura deseada, entonces oírás un “click” en el reposacabezas que significará que este ha quedado bloqueado en esa posición. Compruebe que el reposacabezas no puede bajar más, y active el freno moviendo la palanca (H) en el reposacabezas hacia la derecha.

ADVERTENCIA: Nunca suba el reposacabezas con el freno activado.

Cómo quitar y poner las fundas

PRECAUCIÓN: Nunca use la silla de seguridad infantil Minikid sin sus fundas. Las fundas son componentes del sistema de seguridad.

24 Quite la almohadilla de protección lateral (I) si está instalada y compruebe que la palanca de freno del reposacabezas (H) esté desbloqueada girándola hacia la izquierda.

25 Presione la palanca de ajuste del arnés interno (E) y tire de los tirantes hacia delante (no de las almohadillas para hombros), para soltar el arnés completamente.

Nota: Si el reposacabezas no se levanta, compruebe que la palanca de freno del reposacabezas (H) esté desbloqueada. Si el reposacabezas está levantado será más fácil quitar la funda del reposacabezas.

26 Busque los enganches elásticos (i). Centrándose en un enganche cada vez, coja el enganche con su dedo índice y llévelo de vuelta adonde se engancha en el reposacabezas (ii). Retire con cuidado los enganches elásticos de cada gancho (ii).

27 Abra las dos cremalleras del reposacabezas (una en la parte inferior del lado derecho del reposacabezas (i) y otra en la parte posterior (ii)).

Empezando desde la derecha, quite la funda del reposacabezas con cuidado. Una vez quitada la funda del reposacabezas, baje nuevamente el reposacabezas y bloquéelo en una posición. Esto le ayudará mientras quita la funda de Minikid.

28 Presione el botón rojo del broche del arnés interno para desabrochar el arnés y quitar la almohadilla de la entrepierna.

29 Abra las tres cremalleras de la funda de Minikid (una a cada lado en la parte delantera de la funda (i) y otra en la parte posterior de la funda (ii)). Compruebe que abre totalmente las cremalleras a cada lado en la parte delantera (i).

30 Desabroche todos los botones de presión (i), (ii), (iii).

31 Suelte y extraiga la tira de plástico (i) a lo largo de la parte delantera de Minikid. **¡IMPORTANTE!** Asegúrese de tirar de la tira de plástico y NO tirar de la tela. Retire con cuidado la funda de Minikid alrededor de la tapa del dispositivo del arnés (ii).

¡IMPORTANTE! Guarde la tira de plástico para cuando necesite volver a colocar la funda de Minikid. Si pierde la tira de plástico, tendrá que contactar con su tienda para pedir un recambio.

32 Saque con cuidado la varilla de plástico (i) que sujeta la tela del respaldo de la silla Minikid. Tire de la tela del respaldo hacia delante y pase la cinta de la entrepierna a través de la tela. Comenzando desde la parte superior de la funda, ahora puede quitar cuidadosamente la funda de Minikid, asegurándose de ir al mismo tiempo soltando las tiras de Velcro®.

Para colocar la funda, invierta los pasos anteriores, asegurándose de que el arnés interno de 5 puntos y las almohadillas para hombros estén siendo colocados correctamente.

Cuidado y mantenimiento

La funda de la silla de seguridad Minikid puede quitarse y lavarse a máquina a 30° C usando el programa de lavado para prendas delicadas. No use secadora, ya que esto puede dañar el tejido y hacer que el relleno se separe de la tela. En nuestra web www.axkid.com puede ver videos explicando cómo quitar y poner la funda.

Los componentes de plástico de la silla Minikid pueden ser limpiados con agua y detergente suave. No use para su limpieza productos químicos agresivos que contengan disolventes, porque estos pueden dañar el plástico y comprometer la seguridad de la silla.

Todos los materiales usados en la fabricación de la silla Minikid son reciclables y deben ser reciclados y eliminados según su legislación local. Pregunte a su centro de reciclaje más cercano sobre el reciclaje de este producto.

No haga ninguna reparación ni ajuste a la silla Minikid, excepto los descritos en este manual de instrucciones. Siga atentamente las instrucciones de este manual. En caso de reparación, esta debe ser hecha solo por el fabricante o el distribuidor.

Si tiene que sustituir la funda de la silla de seguridad Minikid, asegúrese de usar solo productos originales de Axxid. Si usa productos de otros fabricantes, el sistema de seguridad Minikid puede verse afectado, lo que puede ocasionar al niño lesiones graves e incluso la muerte en caso de accidente.

Todos los materiales usados en la fabricación de la silla Minikid tienen muy alta resistencia a la luz ultravioleta UV. Sin embargo, la radiación ultravioleta del sol es muy agresiva y a la larga puede afectar al color del tejido de la silla. Esto no está cubierto por la garantía, ya que se considera un desgaste normal del producto.

Garantía

La silla de seguridad infantil Minikid está cubierta por una garantía de 24 meses desde la fecha de compra. Guarde el ticket de compra y lleve la silla a la tienda donde la adquirió en caso de reclamación de la garantía. La garantía no cubre:

- * El desgaste normal del producto.
- * Daños producidos por un uso incorrecto del producto, negligencia o accidente.
- * Reparaciones hechas por terceras personas.

Axkid Minikid

Contra a marcha 0-25 kg com cinto de segurança do veículo e cintas tethers

Manual de Instruções

Informação importante

Leia este manual de instruções antes de instalar o sistema de retenção infantil Minikid no seu veículo. Para mais informações e vídeos de montagem visite www.axkid.com.

Obrigado por escolher uma cadeira-auto Axkid. A nossa equipa tem mais de 30 anos de experiência combinada na segurança das crianças, e nós fizemos o nosso melhor para tornar a cadeira-auto Minikid o mais segura possível. O sistema de retenção infantil Minikid está aprovado segundo a norma ECE R44/04, a mais recente norma Europeia para a segurança infantil. Para maximizar a segurança do seu filho, é importante que tenha em mente o seguinte:

Leia este manual de instruções cuidadosamente antes de instalar o sistema de retenção infantil Minikid. Em caso de dúvida, entre em contacto com o seu revendedor que pode demonstrar uma instalação correta. Uma instalação incorreta pode colocar o seu filho em perigo.

Axkid recomenda sempre que se use uma cadeira infantil até que a criança seja estável o suficiente para se sentar sozinha. Axkid não recomenda que se use a Minikid 0-25Kg desde o nascimento, porque crianças mais pequenas precisam de melhor proteção e suporte nos primeiros meses de vida.

Não use um sistema de retenção infantil num assento equipado com um airbag ativo. Se deseja instalar a Minikid nesse assento o airbag deve ser desligado numa oficina autorizada. Alguns veículos podem estar equipados com um botão que permite desligar manualmente o airbag. É importante verificar sempre se a luz indicadora do veículo mostra que o airbag está desligado.

Mantenha a cadeira-auto da criança virada para trás o máximo de tempo possível. Uma extensa pesquisa mostrou que o risco de ferimentos graves ou pior é cinco vezes maior para uma criança numa cadeira-auto no sentido da marcha, em comparação com um sistema de retenção contra a marcha. Com a Minikid o seu filho pode viajar voltado para trás até aos 25 kg.

Use sempre a perna de apoio quando instalar a cadeira-auto Minikid. A perna de apoio é uma característica de segurança muito importante, projetada para maximizar a segurança do seu filho em caso de acidente.

Em caso de acidente, não importa quão pequeno, o seu sistema de retenção infantil deve ser substituído. Ele pode ter algum dano indetetável e comprometer seriamente a segurança do seu filho. Por esta razão a Axkid não recomenda a compra de sistemas de retenção infantil em segunda mão.

Nunca deixe a criança sozinha no carro.

Certifique-se de que qualquer bagagem ou objetos soltos estão seguros no seu veículo, pois podem causar lesões aos passageiros em caso de colisão.

Conteúdo

O sistema de retenção infantil Minikid é adequado para utilização a partir dos seis meses de idade aproximadamente, ou a partir do momento em que o seu filho se senta sem apoio, até aos seis anos. Este sistema de retenção pode **APENAS** ser instalado contra a marcha.

Partes	25
Posições permitidas e não permitidas da cadeira-auto infantil	25-26
Contra a Marcha 0-25kg com cinto de segurança do automóvel e cintas tethers	26-29
Esta posição pode ser usada para crianças que pesem entre 0-25 kg (0-55 lb).	
Remover e colocar as capas	29-30
Cuidado e Manutenção	30
Garantia	30

Partes

A	Apoio da Cabeça	J	Saltos
B	Arnês Integrante	K	Linha Vertical com reentrâncias
C	Fivela do Arnês	L	Conector da almofada de impacto lateral
D	Ranhurinhas dos Cintos	M	Alças Tether
E	Botão de regulação do Arnês	N	Sistema de Trancar o Cinto
F	Alça de regulação do Arnês	O	
G	Alavanca de ajuste da reclinção	P	Suporte de pernas
H	Alavanca do travão do apoio da cabeça	Q	Botão de extensão das pernas
I	Almofada de impacto lateral	R	Cintas de ancoragem Inferiores(x2)

Posições permitidas e não permitidas da cadeira-auto infantil

1 O sistema de retenção infantil pode ser usado em qualquer assento de passageiro no sentido da marcha com cinto de segurança de 3 pontos(I), desde que não haja um airbag ativo nesse lugar. O sistema de retenção infantil não pode ser utilizado com um cinto de segurança de 2 pontos(II).

IMPORTANTE: Se deseja instalar a sua Minikid num assento com um airbag instalado, então o airbag deve ser desligado numa oficina autorizada. Alguns veículos podem estar equipados com um botão que permite desligar manualmente o airbag. É importante verificar sempre se a luz indicadora do veículo mostra que o airbag está desligado.

AVISO: Nunca use num assento com um airbag ativo.

AVISO: Nunca utilize em assentos do veículo virados para trás ou para o lado

AVISO: Os airbags são projetados para adultos e podem causar danos sérios ao seu filho num acidente

Posições permitidas e não permitidas da cadeira-auto infantil.

Assento do passageiro frontal (sem airbag ativo)	Sim
Assento do passageiro frontal (airbag ativo)	Não
Assento no sentido da marcha com cintos de segurança de 3-pontos	Sim
Assento com cintos de segurança de 2-pontos	Não
Assentos virados para o lado	Não
Assentos virados para trás	Não



Nunca utilize esta cadeira-auto num carro que não está equipado com um cinto de segurança de 3 pontos aprovado com a norma ECE Reg 16

Contra a marcha 0-25 kg com cinto de segurança e cintas tethers

Colocação do sistema de retenção infantil no veículo

- 2 A maneira mais fácil para colocar a Minikid no veículo é com a parte traseira primeiro. Coloque o sistema de retenção infantil no veículo com a parte de trás da cadeira voltada para a frente do veículo.
- 3 Os saltos (J) devem estar sobre a borda do assento do veículo. A linha vertical com reentrâncias (K) do salto deve alinhar verticalmente com a extremidade do assento do veículo. Se estiver a instalar a cadeira num veículo pequeno, ou se o seu filho não necessita de espaço para as pernas extra, pode colocar o salto sobre o banco do veículo, isto também vai conseguir uma posição mais reclinada.

Nota: Ao instalar a Minikid no banco da frente é possível, mas não fundamental, que a parte de trás da cadeira possa ter contacto com o painel.

- 4 Para ajustar o ângulo do sistema de retenção infantil, pressiona a alavanca de ajuste da reclinção (G) para seleccionar uma das cinco posições de reclinção. Escolha sempre o ângulo mais vertical possível, mas deve haver reclinção suficiente para garantir que a cabeça da criança não caia para a frente quando adormece. A regra geral é que quanto mais velha a criança, o mais vertical pode o assento ser instalado. Tenha em mente que uma vez que a instalação da Minikid esteja concluída, ela ficará um pouco mais reclinada, à medida que se afunda no banco do veículo pelo apertar dos cintos e das cintas de ancoragem tether.



Nunca instale um sistema de retenção infantil num assento de passageiro equipado com um airbag ativo.



Fixação do cinto de segurança do veículo

- 5 Abra os clips de bloqueio dos cintos (N) em ambos os lados do sistema de retenção infantil Minikid. Alargue totalmente o cinto de segurança até que a parte do colo do cinto tenha pelo menos 70-80cm (27-32 polegadas) de comprimento. Passe o cinto através da ranhura do cinto de segurança (D), entre a capa da cadeira e o corpo da mesma até que a cinta saia através da ranhura do cinto de segurança, pelo outro lado. Se preferir, em vez disso pode alimentar o cinto de segurança através da ranhura do cinto de segurança (D), em seguida, sobre a parte superior da capa de segurança e, em seguida, através da ranhura do cinto de segurança, pelo outro lado.
- 6 Insira a língua do cinto de segurança no fecho do cinto de segurança do veículo. Puxe o cinto de segurança até que toda a folga seja removida ao longo do percurso do cinto de segurança. Segure tanto o cinto do colo e o cinto de ombro no bloqueio mais próximo da fivela do cinto de segurança do veículo.
- 7 No bloqueio do lado oposto, apenas o cinto de segurança do colo deve ser segurado.

Colocar as cintas tether

Alguns veículos podem já estar equipados com pontos de ancoragem na base dos trilhos dos bancos dianteiros, ou, se instalar no banco do passageiro da frente, em frente a esse assento.

- 8 Se o seu veículo não tem esses pontos de ancoragem, devem ser utilizadas as cintas de fixação inferiores fornecidas.
- 9 Para a instalação no banco de trás, passe a extremidade da fivela da cinta de ancoragem, quer através da traseira dos trilhos dos bancos dianteiros, e a dobradiça do banco da frente. O ponto de ancoragem deve estar tão perto do chão quanto possível. Ao fazer isso você deve sempre inserir a fivela da cinta de ancoragem através da ranhura da correia mais próxima apropriada para criar um nó correção e em seguida, puxe apertado. Isso precisa ser repetido em ambos os lados para criar dois pontos de ancoragem.
- 10 Ao instalar a Minikid no banco do passageiro da frente, as cintas de fixação inferiores devem ser presas aos trilhos de deslizamento da frente de modo que os pontos de ancoragem estejam localizados ao longo da borda frontal do assento do passageiro.
- 11 Retire a cinta de retenção superior tether do alojamento do cinto (M) para um comprimento apropriado.
- 12 Verifique se a marca branca na alça (i) está visível. Se não, pode tentar cruzar as alças (ii) para lhes dar mais comprimento para permitir que a marca branca esteja visível.
- 13 Prenda as ligações de ancoragem diretamente sobre os pontos de fixação do veículo (ou nas cintas inferiores de ancoragem, se estiver a utilizá-las). Pressione com força no topo de um lado (i) do sistema de retenção infantil e depois repita no outro lado (ii). Quando faz isto é importante que use todo o peso do seu corpo para pressionar para baixo e fazer com que as cintas tether fiquem bem tensas. Isto dará às cintas tether o seu primeiro aperto.

- 14 Abra o apoio de pernas (P) para fora para o seu ângulo máximo. Pressione o botão do extensor de pernas (Q) e estique o apoio de pernas até que atinja o chão. Nota: O cinto do apoio de pernas pode, mas não é preciso, estar tensionado ao máximo.
- 15 É importante verificar que a perna de suporte faz um ângulo de 10° desde a parte de trás da cadeira. Pode-se verificar isso, garantindo que a perna de suporte está mais afastada da cadeira do que da linha vertical.
- 16 Pressione para baixo o sistema de retenção infantil de um lado e do outro (i)(ii), as cintas tether ficarão automaticamente tensas.

Se tiver instalado a Minikid no banco de trás, pode agora mover o banco da frente para uma posição confortável.

Nota: A parte de trás do sistema de retenção infantil pode, mas não necessita estar em contacto com as costas do banco da frente.

Usando a almofada de proteção de impacto lateral

Apesar de opcional nós sugerimos **FORTEMENTE** que se use a almofada de impacto lateral quando possível para adicionar proteção extra para as colisões laterais.

- 17 Localize o conector da almofada de impacto lateral (L) na cadeira de criança mais perto da lateral do veículo (i.e. Mais perto da porta).

IMPORTANTE: assegure-se que os dois aros triangulares (i) na almofada de impacto lateral (l) apontam para a mesma direção que o aro triangular no conector da almofada de impacto lateral (L).

Posicione a parte de cima das duas aberturas ovais na parte de baixo da almofada de impacto lateral sobre o conector da almofada de impacto lateral. Empurre a almofada de impacto lateral contra o lado da cadeira auto e deslize a almofada de impacto lateral para cima para o conector da almofada de impacto lateral. Sentirá um click suave quando a almofada de impacto lateral se prenda no sítio.

Para remover: Empurre a almofada de impacto lateral para baixo e remova.

Colocar a criança na cadeira

- 18 Pressione o botão de regulação do arnês (E) e puxe para a frente nas alças dos ombros (não nas almofadinhas dos ombros) para alargar completamente o arnês.
- 19 Pressione o botão vermelho (i) na fivela do arnês para soltar e afaste os cintos
- 20 Coloque a criança na cadeira-auto. Coloque os braços do seu filho entre as alças dos ombros de modo que as alças estejam sobre o peito e estômago.
- 21 Puxe as alças juntas e insira as pontas do arnês na fivela, perto das virilhas.
- 22 Puxe a alça de regulação do arnês (F). É importante que puxe sempre os cintos a direito e para o centro quando estiver a ajustar a alça de regulação. Isso vai apertar o arnês e o apoio de cabeça deslizará automaticamente para baixo até à altura apropriada.

Travão do suporte de cabeça no apoio de cabeça

23 O apoio de cabeça da sua Minikid está equipado com um travão do apoio de cabeça. Este travão pode ser usado se quiser manter o apoio de cabeça numa posição fixa. Para ativar o travão de apoio de cabeça, puxe a alça de regulação do arnês até o apoio de cabeça estar na altura desejada, vai ouvir um som baixinho "clique" do apoio de cabeça, quando estiver travado na posição. Verifique que o encosto de cabeça não pode ser puxado mais para baixo e ativar o travão do apoio de cabeça movendo a alavanca (H) toda para a direita.

AVISO: Não puxe para cima o apoio de cabeça com o travão de paragem estiver ativado.

Remover e posicionar as capas

AVISO: Nunca use o sistema de retenção infantil sem as suas capas. As capas são uma característica de segurança integrante.

24 Remova a almofada de impacto lateral (I) se estiver encaixada e assegure-se que a alavanca do travão do apoio de cabeça (H) está solta, rodando-a para a esquerda.

25 Pressione o botão de regulação do arnês (E) e puxe para a frente nas alças dos ombros (não nas almofadinhas dos ombros) para alargar completamente o arnês.

Nota: Se o apoio de cabeça não subir verifique se a alavanca do travão do apoio de cabeça (H) está destravada. Ter o apoio de cabeça levantado faz com que remover a capa do apoio de cabeça seja mais fácil.

26 Localize os laços elásticos (i). Trabalhando em um laço de cada vez, posicione o seu dedo indicador no laço e localize onde o laço está preso atrás no apoio de cabeça via um gancho (ii). Cuidadosamente remova os laços elásticos de cada gancho (ii).

27 Abra os dois zips no apoio de cabeça (um na parte de dentro do lado direito do apoio de cabeça (i) e outro na parte de trás (ii)).

Começando pela direita cuidadosamente puxe para fora a capa do apoio de cabeça. Uma vez que a capa do apoio de cabeça, baixe o apoio de cabeça outra vez e bloqueie em posição. Isto ajudará enquanto estiver a remover a capa da cadeira.

28 Pressione o botão vermelho de soltar o arnês na fivela para abrir o arnês e remover a almofada da virilha.

29 Abra dos três zips na capa da cadeira (um em cada lado da parte da frente da capa (i) e um na parte de trás da capa (ii)). Assegure-se que abriu completamente os zips em cada lado da parte da frente da capa (i).

30 Desaperte todos os parafusos (i), (ii), (ii).

- 31 Solte e remova as fitas de plástico (i) ao longo da frente do sistema de retenção infantil. **IMPORTANTE!** Assegure-se que puxa as fitas de plástico e **NÃO** puxa o tecido. Cuidadosamente remova a capa da cadeira de volta das casas de ajuste do arnês (ii).

IMPORTANTE! Guarde as fitas de plástico de forma segura para quando precisar de colocar a capa da cadeira de novo. Se perder as fitas de plástico precisará de contactar a loja para uma substituição.

- 32 Cuidadosamente puxe para fora a vareta de plástico (i) que prende o tecido da parte de trás da cadeira à cadeira. Puxe o tecido da parte de trás da cadeira e alimente a alça da virilha através do tecido da base da cadeira. Agora pode começar desde a parte de cima da capa da cadeira, cuidadosamente a remover o capa da cadeira assegurando-se que solta qualquer Velcro preso enquanto o faz.

Para pôr a capa no sítio, faça o reverso dos passos em cima assegurando-se que o arnês e as almofadas de ombros estão posicionadas corretamente.

Cuidado e manutenção

A capa da cadeira pode ser removida e lavada na máquina de lavar a 30° C no programa "ciclo delicado". Não coloque a capa numa máquina de secar, porque pode danificar a capa e o enchimento pode separar-se do tecido.

Visite www.axkid.com para encontrar vídeos que explicam como remover e colocar a capa.

Todas as peças de plástico da Minikid podem ser limpas com detergente suave e água. Não utilize produtos químicos agressivos que contenham solventes, etc., pois isto pode danificar o plástico e comprometer a segurança do sistema de retenção infantil.

Todos os materiais utilizados no sistema de retenção Minikid são recicláveis e devem ser reciclados de acordo com sua legislação local. Pergunte no seu centro de reciclagem local para obter informações sobre a reciclagem deste produto.

Não faça quaisquer modificações ou alterações no sistema de retenção infantil Minikid além daqueles descritos neste manual de instruções. Siga as instruções deste manual cuidadosamente. Qualquer reparação deve ser realizada pelo fabricante ou agente.

Se as capas da cadeira tiverem de ser substituídas assegure-se que usa apenas produtos originais de Axkid. Se forem usados outros produtos a segurança da Minikid pode ser comprometida o que pode levar a ferimentos graves ou morte em caso de acidente.

Todos os materiais utilizados têm uma elevada classificação de resistência UV. No entanto, a luz UV é muito agressiva e acabará por levar ao desbotamento da capa da cadeira. Isso não é coberto pela nossa garantia, pois é considerado desgaste normal.

Garantia

O sistema de retenção infantil Minikid está coberto por uma garantia de 24 meses a partir da data de compra. Certifique-se que guarda o seu recibo e que o leva para o revendedor se tiver qualquer problema com garantia.

A garantia não cobre:

* O desgaste normal

* Os danos causados por uso incorreto, negligência ou acidente

* No caso de reparação ter sido efetuada por um terceiro

Axkid Minikid

Bakåtvänd fäst med bilbälte och fästremmar 0-25 kg

SE

Instruktionsbok

Viktig information

Läs denna instruktionsbok innan du monterar Minikid bilbarnstol i bilen. Mer information och monteringsfilmer finns på www.axkid.se.

Tack för att du valt en bilbarnstol från Axkid. Vårt team har över 30 års erfarenhet inom barnsäkerhet, och vi har gjort vårt yttersta för att Minikid bilbarnstol ska bli så säker som möjligt. Minikid bilbarnstol är godkänd enligt ECE R44/04, den senaste europeiska teststandarden för barnsäkerhet. För maximal säkerhet för barnet är det viktigt att tänka på följande:

Läs instruktionerna noga innan du monterar Minikid bilbarnstol. Om du är osäker på om du gjort rätt, kontakta din återförsäljare som kan visa dig korrekt montering. Felaktig montering innebär fara för ditt barn.

Axkid rekommenderar alltid babyskydd fram till dess att barnet kan sitta stadigt på egen hand. Axkid rekommenderar inte Minikid 0-25 kg direkt från födseln, eftersom spädbarn behöver bättre stöd och skydd under de första månaderna i livet.

Montera aldrig bilbarnstolen på ett säte med aktiv airbag. Om du ändå vill montera Minikid på platsen måste du koppla ur airbagen hos en auktoriserad verkstad. Vissa bilar har ett manuellt urkopplingsreglage för airbagen. Det är viktigt att kontrollera att indikeringslampan i bilen visar att airbagen är urkopplad.

Undersökningar har visat att risken för allvarliga skador och dödsfall är fem gånger högre i en framåtvänd bilbarnstol jämfört med en bakåtvänd. Med Minikid kan barnet färdas bakåtvänt upp till 25 kg.

Använd alltid stödbenet när du monterar Minikid-stolen. Stödbenet är en mycket viktig säkerhetsdetalj som är utformad för att maximera barnets säkerhet vid en olycka.

Bilbarnstolen ska bytas ut om den varit med om en olycka, oavsett hur liten olyckan än är. Bilbarnstolen kan ha fått osynliga skador som allvarligt påverkar barnets säkerhet. Därför avråder Axkid alltid från att köpa en begagnad bilbarnstol.

Lämna aldrig barnet utan uppsikt i bilen.

Se till att eventuellt bagage och lösa föremål är ordentligt fästa i bilen eftersom de kan orsaka personskada vid en kollision.

Innehåll

Minikid bilbarnstol är lämplig att använda från ca sex månaders ålder, eller från det att barnet kan sitta själv utan stöd, och upp till sex år. Den här bilbarnstolen kan **ENDAST** monteras bakåtvänd.

Delar	39
Tillåten och otillåten placering av bilbarnstolen	39
Bakåtvänd med bilbälte och fästremmar 0-25 kg	40-42
Den här monteringen kan användas för barn som väger mellan 9 och 25 kg.	
Ta av och sätta tillbaka klädseln	43
Skötsel och underhåll	44
Garanti	44

Delar

A	Huvudstöd	J	Klackar
B	Bilbarnstolens eget bälte	K	Markerad lodlinje
C	Bältesspänne	L	Fäste för sidokrockskydd
D	Öppning för säkerhetsbälte	M	Fästremmar
E	Justeringsknapp för bilbarnstolens bälte	N	Bältesklämmor
F	Justeringsrem för bilbarnstolens bälte	O	-
G	Lutningsspak	P	Stödben
H	Låsreglage för huvudstöd	Q	Justeringsknapp för stödben
I	Sidokrockskydd	R	Nedre förankringsband (x2)

Tillåten och otillåten placering av bilbarnstolen

- 1** Bilbarnstolen kan användas på alla framåtvända passagerarsäten med trepunktsbälte (i), under förutsättning att sätet inte har någon aktiv airbag. Bilbarnstolen **får inte** användas tillsammans med tvåpunkts höftbälte (ii).

VIKTIGT! Om du vill använda Minikid bilbarnstol på en plats med airbag måste denna kopplas ur på en auktoriserad verkstad. Vissa bilar har ett manuellt urkopplingsreglage för airbagen. Det är viktigt att kontrollera att indikeringslampan i bilen visar att airbagen är urkopplad.

WARNING! Använd aldrig på ett säte med aktiv airbag

WARNING! Använd aldrig på bakåt- eller sidovända säten

WARNING! Airbagkuddar är utformade för vuxna och kan skada barn allvarligt vid krock

Tillåten och otillåten placering av bilbarnstolen

Främre passagerarsäte (ingen aktiv airbag)	Ja
Främre passagerarsäte (aktiv airbag)	NEJ
Framåtvänt säte med trepunktsbälte	Ja
Säte med tvåpunktsbälte	NEJ
Sidovänt säte	NEJ
Bakåtvänt säte	NEJ



Använd aldrig denna bilbarnstol i en bil som saknar trepunktsbälte godkänt enligt ECE Reglemente 16.

Bakåtvänd fäst med bilbälte och fästremmar 0-25 kg

Placera bilbarnstolen

- 2 Minikid lyfts enklast in i bilen med ryggen först. Placera bilbarnstolen i bilen så att ryggen pekar framåt i bilens färdriktning.
- 3 Klackarna (J) ska sitta över kanten på bilsätet. Markeringen (K) på klacken ska vara lodrätt i linje med kanten på bilsätet. Om du har en liten bil eller om barnet inte behöver extra benutrymme, kan du istället ställa bilbarnstolen med klacken uppe på bilsätet och på så sätt också få en mer tillbakalutad vinkel.

Obs! Vid montering i framsätet kan bilbarnstolens ryggstöd ha kontakt med instrumentbrädan, men det är inte nödvändigt.

- 4 Justera bilbarnstolens lutningsvinkel genom att trycka ned lutningsspaken (G) och välja en av fem lutningsvinklar. Välj alltid en så upprätt vinkel som möjligt. Barnet ska dock kunna hålla uppe sitt huvud själv, och huvudet ska inte hänga framåt om barnet sover. Tumregeln är att ju äldre barnet blir desto mer upprätt kan du sätta stolen. Tänk också på att stolen kommer att luta något mer bakåt när säkerhetsbältena och fästremmarna spänns och den sjunker ner i sätet.



Montera aldrig bilbarnstolen på ett säte där det finns en aktiv airbag.



Fästa bilbältet

- 5 Öppna båda bältesklämmorna (N) på bilbarnstolen. Dra ut bilbältet så att höftdelen är minst 70 till 80 centimeter lång. För in bältet genom öppningen (D) och för det under klädseln tills det kommer ut genom öppningen på andra sidan. Om du vill kan du istället föra in bältet genom öppningen (D) sedan dra bältet över klädseln och föra in det genom öppningen på andra sidan.
- 6 För in bältesspannet i bälteslåset. Dra åt säkerhetsbältet tills det är helt spänt överallt. Fäst både höft- och axeldelen i bältesklämman som sitter närmast bälteslåset.
- 7 I bältesklämman på andra sidan ska endast höftdelen fästas.

Fästa fästremmarna

I vissa bilar finns det förankringsöglor i golvet vid framsätets skenor, eller framför sätet vid montering i framsätet.

- 8 Om bilen saknar förankringsöglor måste de medföljande förankringsbanden användas.
- 9 Om stolen monteras i baksätet: för förankringsbandet med änden med spannet genom den bakre delen av framsätets skenor eller en annan lämplig fästpunkt på framsätet. Förankringspunkten ska vara så nära golvet som möjligt. För därför in förankringsbandets spänne genom den närmaste öppningen, knyt en löpknut och dra åt. Detta måste göras på båda sidor för att skapa två förankringspunkter.
- 10 När Minikid monteras i det främre passagerarsätet måste de nedre förankringsbanden fästas i de främre glidskenorna så att förankringspunkterna hamnar vid passagerarsätets framkant.
- 11 Dra ut den övre fästremmen från bälteshuset (M) till lämplig längd.
- 12 Kontrollera att de vita markeringarna på remmen (i) är synliga. Om inte, pröva att kors remmarna (ii) för att på så vis göra dem lite längre så att de vita markeringarna blir synliga.
- 13 Sätt fast förankringsfästena direkt i bilens förankringsöglor (eller i de nedre förankringsbanden om du använt dem). Tryck hårt nedåt ovanpå höger sida (i) av bilbarnstolen och upprepa sedan på vänster sida (ii). För att stolen ska sitta på plats är det viktigt att du trycker med hela din kroppsvikt och drar åt fästremmarna mycket hårt. Detta är den första åtdragningen av fästremmarna.
- 14 "Fäll ut stödbenet (P) till dess yttersta läge. Tryck på stödbenets justeringsknapp (Q) och dra ut benet tills det når ned till golvet.
Obs! Stödbenets rem kan, men måste inte, vara helt sträckt."
- 15 Det är viktigt att kontrollera stödbenets vinkel, det ska alltid ha minst 10° vinkel ut från stolsryggen. Du kontrollerar detta genom att se till att stödbenet befinner sig utanför stolens lodlinje.

- 16 Tryck sedan ned bilbarnstolen igen på både höger och vänster sida (i)(ii), fästremmarna dras då åt automatiskt.

Om bilbarnstolen är monterad i bilens baksäte kan bilens framsäte nu flyttas till ett bekvämt läge.

Obs! Bilbarnstolens rygg kan, men måste inte, ha kontakt med det framförvarande ryggstödet.

Använda sidokrockskyddet

Även om det är frivilligt att använda sidokrockskyddet, rekommenderar vi **STARKT** att det används för att ge extra skydd vid sidokrock.

- 17 Leta upp fästet för sidokrockskyddet (L) på den sida av bilbarnstolen som är närmast bildörren.

VIKTIGT! Kontrollera att de trekantiga pilarna (i) på sidokrockskyddet pekar i samma riktning som den trekantiga pilen på sidokrockskyddets fäste (L).

Placera den övre av de två ovala öppningarna på nedtill på sidokrockskyddet över fästet. Tryck sidokrockskyddet mot bilbarnstolen och för det uppåt på fästet. Det hörs ett klickljud när sidokrockskyddet låser fast.

Ta bort: Tryck sidokrockskyddet nedåt och lyft bort det.

Sätt barnet i bilbarnstolen.

- 18 Tryck på justeringsknappen för bilbarnstolens bälte (E) och dra fram axelremmarna (inte de vadderade axelskydden) maximalt.

- 19 Tryck på spännets röda frisläppningsknapp och lossa bilbarnstolens bilbälte.

- 20 Sätt barnet i bilbarnstolen. För in barnets armar under axelremmarna så att axelremmarna hänger över bröstet och magen.

- 21 För samman axelremmarna och för in bältesändarna i bälteslåset mellan barnets ben.

- 22 Dra åt justeringsremmen för bilbarnstolens bälte (F). Det är viktigt att du alltid drar åt bilbarnstolens bälte rakt framifrån och centrerat. Bilbarnstolens bälte dras då åt korrekt och huvudstödet glider automatiskt ned till rätt höjd.

Låsbart huvudstöd

- 23 Minikid har ett låsbart huvudstöd. Låset kan användas för att hålla huvudstödet i fast läge. För att aktivera låset: dra i justeringsremmen tills huvudstödet är i önskad höjd. Ett svagt klickljud hörs när huvudstödet låser fast i sitt läge. Kontrollera att huvudstödet inte kan dras ned ytterligare och aktivera låset genom att föra spaken (H) åt höger.

WARNING! Dra inte upp huvudstödet när låset är aktiverat.

Ta av och sätta tillbaka klädseln

WARNING! Använd aldrig bilbarnstolen utan klädsel. Klädseln är en del av stolens säkerhetsfunktion.

24 Ta bort sidokrockskyddet (I) om det är monterat och kontrollera att huvudstödet låsreglage (H) är olåst genom att vrida det åt vänster.

25 Tryck på justeringsknappen för bilbarnstolens bälte (E) och dra fram axelremmarna (inte de vadderade axelskydden) maximalt.

Obs! Om huvudstödet inte fälls upp, kontrollera att huvudstödet låsreglage (H) är olåst. När huvudstödet är uppfällt är det lättare att ta bort klädseln.

26 Leta upp de elastiska öglorna (i). Lossa en ögla i taget genom att placera pekfingeret i ögla och för sedan fingret till den plats där ögla är fäst i huvudstödet med en krok (ii). Lossa försiktigt de elastiska öglorna från krokarna (ii).

27 Öppna de båda dragkedjorna på huvudstödet (en på undersidan på höger sida av huvudstödet (i) och en på baksidan (ii)).

Börja från höger och dra försiktigt av klädseln från huvudstödet. När du tagit av klädseln från huvudstödet, faller du tillbaka huvudstödet och låser fast det. Det underlättar när klädseln tas bort från själva bilbarnstolen.

28 Tryck på bältesremmarnas röda frisläppningsknapp för att lossa bältet och ta av grenskyddet.

29 Öppna de tre dragkedjorna på klädseln (en på var sida på framsidan (i) och en på baksidan (ii)). Se till att du öppnar dragkedjorna helt på båda sidorna på framsidan (i).

30 Lossa alla tryckknappar (i), (ii), (iii).

31 Lossa och ta av plastbandet (i) som sitter längs framsidan av bilbarnstolen. **VIKTIGT!** Se till att du drar i plastbandet och **INTE** i tyget. Lyft försiktigt av klädseln runt bältesremmarnas fästen (ii).

VIKTIGT! Förvara plastbandet på ett säkert ställe tills du ska sätta tillbaka klädseln igen. Om du tappar bort plastbandet måste du kontakta återförsäljaren för att köpa ett nytt.

32 Dra försiktigt ut plaststaven (i) som håller fast klädseln i bilbarnstolen. Dra fram klädseln och dra grenremmen genom klädseln. Nu kan du försiktigt ta loss klädseln med början uppfifrån och se till att du lossar alla kardborreband.

Sätt tillbaka klädseln genom att följa anvisningarna ovan in omvänd ordning. Kontrollera att bältesremmarna och axelskydden sitter korrekt.

Skötsel och underhåll

Barnstolens klädsel kan tas av och tvättas i maskin på 30 °C handtvättsprogram. Torka inte i torktumlare, det kan skada klädseln och vadderingen kan lossna från tyget. På www.axkid.com finns filmer som visar hur man tar av och sätter tillbaka klädseln.

Bilbarnstolens plastdelar kan rengöras med mildt rengöringsmedel och vatten. Använd inte starka kemikalier som innehåller lösningsmedel och liknande, eftersom det kan skada plasten och försämra bilbarnstolens säkerhet.

Alla material som använts i Minikid bilbarnstol är återvinningsbara och ska återvinnas i enlighet med lokala bestämmelser. Fråga din kommun om du är osäker på hur du ska återvinna produkten.

Gör inga egna reparationer eller ändringar på bilbarnstolen annat än de som redovisas här. Följ anvisningarna i instruktionsboken noggrant. Eventuella reparationer måste utföras av tillverkaren eller dess agent.

Om klädseln behöver bytas ut, använd endast originalprodukter från Axxid. Om andra produkter används äventyras bilbarnstolens säkerhetssystem, vilket kan orsaka allvarlig personskada eller dödsfall vid en olycka.

Alla material har hög motståndskraft mot UV-strålning. UV-strålning från solen är emellertid mycket stark och gör att tyget bleks. Detta omfattas inte av garantin utan anses vara normalt slitage.

Garanti

Minikid bilbarnstol omfattas av en 24 månaders garanti från inköpsdatumet. Spara alltid kvittot och ta med det till återförsäljaren vid eventuell reklamation.

Garantin täcker inte:

- * Normalt slitage
- * Skada till följd av felaktig användning, försummelse eller olycka
- * Reparationer som utförts av tredje part

Axkid Minikid

Vzratni sedež 0-25 kg z varnostnim pasom vozila in pritrilnimi trakovi

Navodila za uporabo

Pomembne informacije

Pred namestitvijo otroškega avtosedeža Minikid v vaše vozilo preberite ta navodila za uporabo. Za več informacij in ogled videoposnetkov namestitve obiščite www.axkid.com.

Zahvaljujemo se vam za izbiro otroškega avtosedeža Axkid. Naša ekipa ima več kot 30 let izkušenj na področju varnosti otrok v avtomobilu, tako da smo storili vse, da je avtosedež Minikid čim varnejši. Avtosedež Minikid je testiran po standardu ECE R44/04, kar je zadnji evropski standard za varnost otrok. Za najvišjo varnost vaših otrok pa je pomembno, da imate v mislih naslednje:

Pred namestitvijo otroškega avtosedeža Minikid natančno preberite ta navodila za uporabo. V primeru nejasnosti kontaktirajte svojega prodajalca, ki vam lahko prikaže pravilno namestitev. Nepravilna namestitev lahko ogrozi vašega otroka.

Nikoli ne namestite otroškega avtosedeža na mesto, kjer je nameščena aktivna zračna blazina. Če želite Minikid namestiti na takšno mesto, izklopite zračno blazino na pooblaščenem servisnem centru. Nekatera vozila so lahko opremljena s stikalom, ki vam omogoča ročni izklop zračne blazine. Pomembno je, da vedno preverite ali je zračna blazina v avtu izklopljena.

Obsežne raziskave so pokazale, da je tveganje resnih ali usodnih poškodb za mlajše otroke petkrat večje pri naprej obrnjenem sedežu v primerjavi z vzratnim. V sedežu Minikid lahko vaš otrok potuje vzvratno do teže 25 kg.

Pri namestitvi sedeža Minikid vedno uporabite podporno nogo. Podporna noga je zelo pomembna, saj je zasnovana za povečanje otrokove varnosti v primeru nesreče.

V primeru, da bi bili vključeni v prometni nesreči, ne glede na to, kako majhni, vedno zamenjajte avtosedež. Avtosedež je lahko utrpel majhne ali na prvi pogled neopazne poškodbe, ki pa lahko močno vplivajo na varnost vašega otroka. Zato tudi Axkid ne priporoča nakupa rabljenega avtosedeža.

Nikoli ne puščajte otroka v avtu brez nadzora.

Prepričajte se, da so prtljaga ali drugi predmeti v vozilu pritrjeni, saj lahko povzročijo poškodbe potnikov v primeru nesreče.

Vsebina

Otroški avtosedež Minikid je primeren za otroke po približno šestih mesecih starosti ali od takrat, ko lahko vaš otrok samostojno sedi, pa vse do šestih let starosti. Ta otroški avtosedež se lahko namesti **SAMO** vzvratno.

Deli	46
Dovoljena in nedovoljena namestitvev otroškega avtosedeža	46-47
Vzvratni sedež 0-25kg z varnostnim pasom vozila in pritrilnimi trakovi	47-49
Ta model se lahko uporablja za otroke, ki tehtajo med 0-25 kg.	
Odstranjevanje in nameščanje prevlek	50-51
Skrb in vzdrževanje	51
Garancija	51

Deli

A	Naslonjalo za glavo	J	Pete
B	Notranji pas	K	Vdrta navpična linija
C	Zaponka pasu	L	Priključek za stransko oblažinjeno
D	Vodilo za varnostni pas	M	Pritrdilni trakovi
E	Gumb za nastavitev pasu	N	Zaponka pasu
F	Trak za nastavitev pasu	O	-
G	Ročica za nastavitev naklona	P	Podporna noga
H	Zavorna ročica za naslon	Q	Gumb za nastavitev podpore za noge
I	Stransko oblažinjeno	R	Spodnji pritrilni trakovi (x2)

Dovoljena in nedovoljena namestitvev otroškega avtosedeža

1 Otroški avtosedež se lahko uporablja na katerem koli naprej obrnjenem potniškem sedežu s 3-točkovnim varnostnim pasom (i), če le tam ni nameščene aktivne zračne blazine. Otroškega avtosedeža se **ne sme** uporabljati z 2-točkovnim pasom v trebušnem delu (ii).

POMEMBNO: Če želite namestiti Minikid na mestu, kjer je nameščena zračna blazina, potem je zračno blazino potrebno izklopiti pri pooblaščenem servisnem centru. Nekatera vozila so opremljena s stikalom, ki vam omogoča ročni izklop zračne blazine. Pomembno je, da vedno preberite, če indikacijska lučka kaže, da je zračna blazina izklopljena.

OPOZORILO: Nikoli ne uporabljajte na sedežu z aktivno zračno blazino

OPOZORILO: Nikoli ne uporabljajte na vzvratnih ali v stran obrnjenih sedežih vozila

OPOZORILO: Zračne blazine so zasnovane za odrasle in lahko resno poškodujejo vašega otroka v primeru nesreče

Dovoljena in nedovoljena namestitvev otroškega avtosedeža.

Sprednji potniški sedež (brez aktivne zračne blazine)	Da
Sprednji potniški sedež (aktivna zračna blazina)	NE
Naprej obrnjen sedež s 3-točkovnim varnostnim pasom	Da
Sedež z 2-točkovnim varnostnim pasom	NE
V stran obrnjeni sedeži	NE
Vzratno obrnjeni sedeži	NE



Tega otroškega sedeža nikoli ne uporabljajte v avtu, ki ni opremljen z ECE Reg 16 odobrenim 3-točkovnim varnostnim pasom.

Vzratni sedež 0-25 kg z varnostnim pasom & pritrdilnimi trakovi

Namestitev Otroškega Avtosedeža

- 2 Najlažji način dviga sedeža Minikid v vozilo je z njegovih zadnjim delom naprej. Postavite otroški avtosedež v vozilo z zadnjim delom sedeža obrnjenim proti sprednjemu delu vozila.
- 3 Pete (J) morajo ležati preko roba sedeža vozila. Vdrta navpična linija (K) na peti mora biti navpično poravnana s koncem sedeža vozila. Če ga nameščate v manjše vozilo ali če vaš otrok ne potrebuje dodatnega prostora za noge, lahko namesto tega pete postavite na sedež vozila. Tako boste dobili tudi bolj nagnjen položaj.

Opomba: Pri nameščanju sedeža Minikid na sprednji sedež je možno, vendar ne ključno, da se zadnji del sedeža dotika armature plošče.

- 4 Za prilagoditev kota varnostnega sistema za otroke pritisnite ročico za nastavitev vzvoda (G), da izberete enega od petih položajev ležišča. Vedno izberite najbolj pokončen možen položaj, vendar pa mora biti dovoljšen nagib, da otrokova glava ne pade naprej, ko ta zaspi. Ravnajte se po pravilu, da starejši kot je otrok, bolj pokončen sedež lahko namestite. V mislih imejte tudi, da ko je enkrat namestitev sedeža Minikid končana, bo ta še nekoliko bolj nagnjen, ko se stisne v sedež vozila zaradi pričrvtstive varnostnih pasov in pritrdilnih trakov.



Nikoli ne nameščajte otroškega avtosedeža v potniški sedež, kjer je nameščena aktivna zračna blazina.



Pritrjevanje varnostnega pasu vozila

- 5 Odprite zaponke pasu (N) na obeh straneh otroškega avtosedeža Minikid. Do konca iztegnite varnostni pas dokler ni del čez trebuh dolg najmanj 70-80cm (27-32 palcev). Povlecite varnostni pas skozi odprtino za varnostni pas (D), med prevleko sedeža in sedežem, dokler pas ne pride ven skozi odprtino za pas na drugi strani sedeža. Če želite, lahko namesto tega pas povlečete skozi odprtino za varnostni pas (D), nato preko vrha prevleke sedeža in nato preko odprtine za pas na drugi strani.
- 6 Vstavite jezik pasu v zaponko varnostnega pasu vozila. Povlecite varnostni pas dokler ne odpravite ohlapnosti po vsej dolžini pasu. Pričvrstite tako trebušni kot ramenski del pasu v zaklep ki je najbližje zaklepu varnostnega pasu vozila.
- 7 V zaklepu na nasprotni strani je potrebno pričvrstiti le trebušni del pasu.

Nameščanje pritrilnih pasov

Nekatera vozila so lahko že opremljena s pritrilnimi ušesci na tirnicah sprednjega sedeža ali, če nameščate na sprednji potniški sedež, pred tem sedežem.

- 8 Če vaše vozilo nima takšnih ušesci za namestitev, je potrebno uporabiti priložene spodnje trakove za pritrilitev.
- 9 Za namestitev na zadnji sedež povlecite konec pritrilnega dela z zaponko skozi zadnji del vodil sprednjih sedežev ali tečaj sprednjega sedeža.
Točka za pritrilitev mora biti kar najbližje tlem. Pri tem je vedno potrebno vstaviti zaponko pritrilnega pasu skozi najbližjo primerno odprtino, da se naredi vozel, in nato tesno povleči. To je potrebno narediti na obeh straneh, da se naredi dve točki pritriliteve.
- 10 Pri namestitvi sedeža Minikid na sprednjem potniškem sedežu je potrebno spodnje pritrilne pasove pričvrstiti na sprednje drsne tirnice, tako da se točke pričvrstitve nahajajo ob sprednjem robu potniškega sedeža.
- 11 Izvlecite zgornji pritrilni pas iz prostora za pas (M) do ustrezne dolžine.
- 12 Preverite, da je bela oznaka na traku (i) vidna. Če ni, lahko poskusite s prekrizanjem trakov (ii), da jim daste nekaj dodatne dolžine in omogočite vidnost belih oznak.
- 13 Pripnite pritrilne trakove neposredno na pritrilne točke vozila (ali spodnje pritrilne trakove, če ste jih uporabili). Močno pritisnite zgornji del otroškega avtosedeža navzdol na eni strani (i), nato ponovite na drugi strani (ii). Ko ste to naredili, pomembno, da resnično uporabite vso težo svojega telesa da pritisnete navzdol in res čvrsto zategnete pritrilne trakove. To bo pritrilnim trakovom dalo njihovo prvo pričvrstitev.

- 14 Izvlecite podporno nogo (P) do njenega maksimalnega naklona. Pritisnite gumb za podaljšanje noge (Q) in podaljšajte podporno nogo, dokler ne doseže tal. Opomba: Pas podporne noge je lahko popolnoma napet, vendar to ni nujno.
- 15 Pomembno je da preverite, če je podporna noga pod kotom večjim od 10° od zadnjega dela sedeža. To lahko preverite tako, da zagotovite, da je podporna noga bolj stran od sedeža od navpične linije.
- 16 Ponovno pritisnite otroški avtosedež navzdol na obeh straneh (i)(ii), pritrdilni pasovi bodo nato tako samodejno pričvrščeni.

Če ste namestili sedež Minikid na zadnji sedež, lahko zdaj premaknete sprednji sedež v udobnejši položaj.
Opomba: Zadnji del otroškega avtosedeža je lahko v stiku z zadnjim delom sprednjega sedeža, vendar to ni potrebno.

Uporaba bočne zaščitne blazine

Čeprav je neobvezno, **MOČNO** priporočamo uporabo bočne blazine, kadar je mogoče, da poskrbite za dodatno zaščito pred stranskimi trki.

- 17 Poiščite priključek za bočno zaščitno blazino (L) na otroškem sedežu, ki je najbližje bočni strani vozila (to je najbližje vratom).

POMEMBNO: Prepričajte se, da sta dve trikotni puščici (i) na bočni zaščitni blazini (H) v isti smeri kot trikotna puščica na priključku bočne zaščitne blazine (L).

Položite zgornji dve ovalni odprtini na spodnji strani bočne zaščitne blazine preko priključka bočne blazine. Potisnite blazino na stran avtomobilskega sedeža ter jo namestite na priključek bočne zaščitne blazine. Začutili boste rahel klik, ko se bo bočna blazina pritrdila.

Za odstranitev: Bočno zaščitno blazino potisnite navzdol in odstranite.

Pripenjanje otroka v sedež

- 18 Pritisnite gumb za nastavev pasu (E) in povlecite ramenske trakove naprej (ne ramenskih blazinic) da popolnoma sprostite pas.
- 19 Pritisnite rdeč gumb za sprostitvev pasu (i) na zaponki in odprite pas.
- 20 Postavite otroka v avtosedež. Otrokov roke postavite med ramenske trakove, tako da ti visijo preko prsnega dela in trebuha.
- 21 Povlecite ramenske trakove skupaj in vstavite jezičke pasov v zaponko med nogama otroka.
- 22 Povlecite trak za nastavev pasu (F). Pomembno je da pri zategovanju nastavitvenega pasu tega vedno povlečete naravnost in proti sredini. Tako boste pas zategnili in naslon za glavo bo samodejno zdrsnil dol do primerne višine.

Zavora podpore vzglavnika na naslonjalu za glavo

23 Naslonjalo za glavo na sedežu Minikid je opremljeno z zavoro. Ta se lahko uporablja, če želite ohraniti naslonjalo v fiksni položaji. Za aktivacijo zavore podpore vzglavnika povlecite trak za nastavitev pasu dokler ni naslonjalo na zeleni višini. Slišali boste rahel »klik«, ko se bo naslonjalo zaklenilo v položaj. Prepričajte se, da naslonjala ni mogoče povleči še bolj navzdol, in nato aktivirajte zavoro vzglavnika s premikom ročice (H) na desno.

OPOZORILO: Ne vlecite naslonjala navzgor ob aktivirani zavori.

Odstranjevanje in nameščanje prevlek

OPOZORILO: Nikoli ne uporabljajte varnostnega sistema za otroke brez prevlek. Prevleke so sestavni varnostni element.

- 24** Odpnite trakove iz varnostnega sistema za otroke in odstranite stransko blazino (H), če je pritrjena.
- 25** Pritisnite gumb za nastavitev pasu (E) in povlecite ramenske trakove naprej (ne ramenskih blazinic) da popolnoma sprostite pas.
Opomba: Če se naslon za glavo ne dvigne, preverite, ali je zavorna ročica (H) sproščena. Če dvignete naslon za glavo, boste lažje odstranili prevleko.
- 26** Poiščite elastične zanke (i). Naenkrat odstranite eno zanko, pri čemer kazalec postavite v zanko in ji sledite nazaj do mesta, kjer je pritrjena na naslon za glavo s pomočjo kavčjev (ii). Previdno odstranite elastične zanke iz vsakega kavčja (ii).
- 27** Odpnite oba zadrgi na naslonu za glavo (ena je na spodnji strani desne strani vzglavnika (i) in ena na zadnji strani (ii)).

Z desne strani previdno potegnite prevleko iz naslona za glavo. Ko je prevleka vzglavnika odstranjena, znova spustite naslon za glavo in ga fiksirajte. To vam bo v pomoč pri odstranjevanju prevleke sedeža.

- 28** Pritisnite gumb za sprostitev rdečega pasu na zaponki, da odstranite pasove in mednožno blazino.
- 29** Odpnite tri zadrge na prevleki sedeža (eno na vsaki strani sprednje strani prevleke (i) in eno na hrbtini strani prevleke (ii)). Poskrbite, da na vsaki sprednji strani popolnoma odpnete zadrge (i).
- 30** Odstranite vse pritrditvene vijake (i), (ii), (iii).
- 31** Sprostite in odstranite plastični trak vzdolž prednjega dela varnostnega sistema za otroke. **POMEMBNO!** Poskrbite, da boste potegnili plastični trak in **NE** vlecite tkanine. Previdno odstranite prevleko sedeža okoli ohišja za nastavitev pasov (ii).

POMEMBNO! Varno shranite plastični trak, ko boste znova nameščali prevleko sedeža. Če izgubite plastični trak, se morate za zamenjavo obrniti na prodajalca.

- 32 Previdno izvlecite plastično palico (i), ki pritrjuje prevleko sedeža. Prevleko potegnite naprej in potisnite mednožni pas skozi njo. Sedaj lahko od vrha previdno odstranite prevleko sedeža, da boste sprostili vse Velcro® zavihke.

Za ponovno nameščanje prevleke sledite zgornjim korakom v obratnem vrstnem redu.

Skrb in vzdrževanje

Prevleko sedeža je mogoče odstraniti in oprati v pralnem stroju na 30° C v programu za nežno perilo. Prevleke ne dajajte v sušilni stroj, saj lahko to poškoduje prevleko in loči podlogo od blaga. Za ogled videoposnetkov s pojasnilom, kako odstraniti in pritrditi prevleko obiščite www.axkid.com.

Vse plastične dele sedeža Minikid lahko očistite z nežnim detergentom in vodo. Ne uporabljajte agresivnih kemikalij, ki vsebujejo topila in podobno, saj lahko te poškodujejo plastiko in poslabšajo varnost otroškega avtosedeža.

Vse materiale, uporabljene v sedežu Minikid, je mogoče reciklirati in jih je potrebno reciklirati v skladu z vašo lokalno zakonodajo. Pozanimajte se pri vašem lokalnem reciklirnem centru glede recikliranja tega izdelka.

Ne opravljajte nikakršnih sprememb ali popravkov na sedežu Minikid razen tistih, ki so opisani v teh navodilih. Natančno sledite navodilom. Kakršna koli popravila mora izvesti proizvajalec ali zastopnik.

Če je prevleko sedeža potrebno zamenjati, poskrbite da se uporabijo samo originalni izdelki Axkid. Če so drugi izdelki uporabljeni, to lahko vpliva na varnostni sistem sedeža Minikid in lahko vodi v resne poškodbe ali celo smrt v primeru nesreče.

Vsi uporabljeni materiali imajo zelo visoko odpornost na UV-žarke. Vendar pa so UV-žarki zelo agresivni in bodo sčasoma vodili k zbleditvi prevleke sedeža. To ni zajeto v garanciji in se šteje kot običajna obraba.

Garancija

Otroški avtosedež Minikid krije 24 mesečna garancija od dneva nakupa. Shranite račun in ga prinesite vašemu prodajalcu v primeru morebitnih napak. Garancija ne zajema:

* Normalne obrabe

* Poškodb zaradi nepravilne uporabe, malomarnosti ali nezgode

* Če so bila popravila izvajana s strani nepooblaščenih oseb

Axkid Minikid

Umístění proti směru jízdy ve váhové kategorii 0-25 kg pomocí bezpečnostního pásu
auta a upevňovacích pásků

Návod k použití

Důležité informace

Pečlivě si přečtěte tento návod k použití zádržného systému, autosedačky Minikid do vašeho automobilu. Více informací a videa k instalaci najdete na www.axkid.com.

Děkujeme vám, že jste si vybrali autosedačku značky Axkid. Náš tým má více než 30-ti leté zkušenosti v oblasti dětské bezpečnosti a vyvinuli jsme veškeré naše úsilí k tomu, aby byla autosedačka Minikid co nejbezpečnější. Autosedačka Minikid je schválena podle normy ECE R44/04, nejnovějšího evropského standardu pro bezpečnost dětí. Abychom maximalizovali bezpečnost vašeho dítěte, je důležité myslet na následující:

Před instalací autosedačky Minikid si pečlivě přečtěte tento návod k použití. Pokud jste na pochybách, obraťte se na svého prodejce, který vám rád pomůže se správnou instalací. Nesprávná instalace může ohrozit vaše dítě.

Axkid doporučuje používat dětskou autosedačku typu vajíčko, dokud nebude dítě schopno samostatně sedět. Axkid nedoporučuje používání autosedačky Minikid 0-25 kg od narození, protože malá miminka v prvních pár měsících života potřebují lepší oporu a ochranu.

Nepoužívejte autosedačku na sedadle, kde je aktivní airbag. Pokud chcete autosedačku Minikid nainstalovat na místo s airbagem, musí se airbag vypnout nebo deaktivovat v autorizovaném servisu. Je vždy důležité se přesvědčit, že airbag je deaktivovaný, některé vozy jsou vybaveny světelnou kontrolkou deaktivace.

Rozsáhlý výzkum prokázal, že riziko vážného zranění u malých dětí je pětikrát vyšší při použití autosedačky po směru jízdy, ve srovnání s použitím zádržného systému v poloze proti směru jízdy. V autosedačce Minikid může vaše dítě cestovat v poloze proti směru jízdy až do váhy 25kg.

Při instalaci autosedačky Minikid vždy používejte opěrnou nohu. Je to důležitý bezpečnostní prvek, navržený s ohledem na co nejvyšší bezpečí vašeho dítěte v případě dopravní nehody.

Po dopravní nehodě, jakkoliv malé, by měl být váš zádržný systém vyměněn. Mohou se objevit nezjistitelné závady, které mohou vážně ohrozit bezpečnost vašeho dítěte. To je také jeden z důvodů, proč Axkid nedoporučuje nákup sedačky z druhé ruky.

Nikdy nenechávejte vaše dítě v autě bez dozoru.

Všechny zavazadla a nepřipevněné předměty je třeba v autě zajistit, v případě nehody mohou způsobit vážná zranění cestujících.

Obsah

Autosedáčku Minikid lze používat cca od 6 měsíců věku dítěte nebo od doby, kdy je dítě schopné samostatně sedět, až do věku šesti let. Tento zádržný systém můžete do auta nainstalovat **POUZE** v poloze proti směru jízdy.

Části	52
Povolené a nepovolené polohování autosedačky	53
Proti-směrné 0-25kg s bezpečnostním pásem auta a pásy	54-56
Tento způsob montáže lze použít pro děti vážící 0-25 kg.	
Sundání a nasazení potahu	57
Péče a údržba	58
Záruka	58

Části

A	Opěrka hlavy	J	Patky
B	Integrované popruhy	K	Svislá drážka
C	Přezka popruhů	L	Konektor přidavné boční ochrany
D	Otvor pro bezpečnostní pás	M	Upevňovací pásy
E	Tlačítko úpravy popruhů	N	Zajištění pásu
F	Pásek nastavení popruhů	O	-
G	Páčka nastavení náklonu	P	Opěrná noha
H	Páčka zajištění opěrky hlavy	Q	Tlačítko prodloužení opěrné nohy
I	Přídavná boční ochrana	R	Spodní kotvící pásy (x2)

Povolené a nepovolené způsoby instalace autosedačky

1 Dětský zádržný systém může být instalován na jakémkoliv sedadle v automobilu, umístěné po směru jízdy, které je vybaveno 3-bodovým bezpečnostním pásem (i), kde není aktivní airbag. Dětský zádržný systém **nelze** instalovat na sedadlo, vybavené pouze 2-bodovým bezpečnostním pásem (ii).

DŮLEŽITÉ: Pokud chcete umístit sedačku Minikid na místo, vybavené airbagem, je třeba airbag nechat odpojit v autorizovaném servisu. Některá vozidla disponují mechanickým vypínačem airbagu – v tom případě je možné odpojit airbag tímto způsobem. Je třeba zkontrolovat světelný indikátor, signalizující vypnutí airbagu.

VAROVÁNÍ: Nikdy nepoužívejte na sedadle, kde je aktivní airbag.

VAROVÁNÍ: Nikdy nepoužívejte na sedadlech, umístěných v autě proti směru nebo bokem ke směru jízdy.

VAROVÁNÍ: Airbasy jsou určeny pro dospělé cestující, vašim dětem mohou způsobit vážná zranění.

Povolené a nepovolené způsoby instalace dětské autosedačky

Přední sedadlo spolujezdce (airbag není aktivní)	Ano
Přední sedadlo spolujezdce (airbag je aktivní)	Ne
Sedadlo vybavené 3-bodovým bezpečnostním pásem, směrem po směru jízdy	Ano
Sedadlo vybavené 2-bodovým bezpečnostním pásem	Ne
Sedadlo umístěné bokem ke směru jízdy	Ne
Sedadlo umístěné zády ke směru jízdy	Ne



Nikdy nepoužívejte tuto autosedačku v autě, které není vybaveno schváleným 3-bodovým pásem podle normy ECE R16.

Proti směru jízdy 0-25Kg s bezpečnostním pásem & upínacími pásy Instalace dětské autosedačky

- 2 Nejjednodušší způsob usazení sedačky Minikid do auta je zády napřed. Obratle záda autosedačky směrem k přední části auta.
- 3 Patky (J) by měly být umístěny přes okraj sedadla automobilu. Svislá drážka (T) na patce by měla být zároveň s hranou sedadla. Pokud instalujete sedačku v malém autě nebo pokud vaše dítě nepotřebuje extra prostor na nohy, můžete posadit patkou přímo na sedadlo, čímž zároveň získáte možnost většího náklonu autosedačky.

Poznámka: Pokud instalujete Minikid na přední sedadlo spolujezdce, je vhodné (ale ne zásadní), aby se záda sedačky dotýkala palubní desky.

- 4 Pro nastavení požadovaného úhlu náklonu autosedačky stiskněte páčku nastavení náklonu (G) a vyberte jednu z pěti možných poloh. Vždy nastavujte co nejvíce vzpřímenou polohu, nicméně vaše dítě musí být schopno samo držet hlavičku. Zároveň by mělo být dost nakloněné pro případ, že usne (aby mu nepadala hlavička dopředu). Čím je dítě starší, tím by měla být sedačka více vzpřímená. Myslete, prosím, na to, že jakmile dokončíte instalaci Minikidu, sedačka se jakoby vmáčkne do sedadla auta díky dotažení popruhů a pásků a tím bude ještě o trochu více nakloněná.



Nikdy neinstalujte dětskou sedačku na sedadlo auta, kde je aktivní airbag.



Upevnění bezpečnostního pásu auta

5 Rozepněte upevňovací klipy pásu (N) na obou stranách autosedačky Minikid. Vytáhněte pás auta do jeho plné délky nebo alespoň 70-80cm. Protáhněte pás otvorem pro bezpečnostní pás (D), mezi potahem sedačky a skořepinou a vytáhněte ven stejným otvorem na druhé straně sedačky. Pokud je to pro vás pohodlnější, můžete také protáhnout pás stejným otvorem jako v předchozím případě (D), potom horem přes potah sedačky a skrz otvor na druhé straně zpátky.

6 Zacvakněte jazyček přezky do zámku sedadla v autě. Zatáhněte za pás a upravte těsnost pásu po celé jeho délce. Upevněte ramenní i bederní pás v blízkosti zámku bezpečnostního pásu vozidla.

7 Při upevňování na opačné straně se zaměřte pouze na bederní část pásu.

Připojení upevňovacích pásků

Některá vozidla mohou být vybavena kotvicími očky u spodní části kolejnic předního sedadla, nebo pokud instalujete na sedadlo spolujezdce, ještě před ním.

8 Pokud vaše vozidlo není vybaveno takovými kotvicími očky, je nutné použít kotvicí pásky, dodávané spolu se sedačkou.

9 Pokud instalujete sedačku na zadní sedadlo, prostrčte část kotvicího pásku s přezkou dole skrz zadní část kolejnic předního sedadla, případně skrz pant nebo kolem kovové tyčky. Kotvicí bod musí být co nejbližší k podlaze. Potom protáhněte přezku nejbližším vhodným otvorem v pásku – tím vytvoříte klouzavou smyčku – a pevně zatáhněte. Opakujte i na druhé straně, je potřeba mít dva kotvicí body.

10 Pokud instalujete sedačku na přední sedadlo spolujezdce, dolní kotvicí pásky musí být připojené na přední kolejnice, takže kotvicí body budou umístěny podél přední hrany sedadla spolujezdce.

11 Vytáhněte horní kotvicí pásek z jeho krytu (M) do dostatečné délky.

12 Ujistěte se, že bílé značení na pásku (i) je viditelné. Pokud není, můžete zkusit překřížit pásky přes sebe (ii), čímž se prodlouží a potom bude bílé značení vidět.

13 Zacvakněte připojovací spony přímo do kotvicích oček vozidla (nebo spodních upevňovacích pásků, pokud byly použity). Pořádně zatlačte směrem dolů ze shora na jedné straně sedačky (i) a potom také na druhé straně (ii). Je důležité opřít se celou vahou těla a pořádně tlačit směrem dolů, aby se upevňovací pásky pevně dotáhly. Toto je první dotažení upevňovacích pásků.

14 Vytáhněte opěrnou nohu (P) ven pod maximálním úhlem. Stiskněte tlačítko prodloužení nohy (C) a prodlužte opěrnou nohu tak, aby se zapřela o podlahu.
Poznámka: Pás opěrné nohy může, ale nemusí být úplně napnutý.

15 Je důležité zkontrolovat, že opěrná noha svírá se zády autosedačky úhel vyšší než 10°. Můžete si to ověřit třeba tím, že zkontrolujete náklon opěrné nohy vůči sedadlu, který má být větší než kolmý.

- 16 Znovu zatlačte směrem dolů a kolébavým pohybem do stran autosedačky (i) (ii), upevňovací pásky se automaticky utáhnou.

Pokud jste již autosedačku na zadním sedadle nainstalovali, můžete posunout přední sedadlo do pohodlné polohy.

Poznámka: Záda autosedačky se mohou, ale nemusí dotýkat zadní části předního sedadla.

Použití přídavné boční ochrany

Použití přídavné boční ochrany není povinné, ale **SILNĚ** doporučujeme ji používat, poskytuje nadstandardní ochranu při bočním nárazu.

- 17 Najděte na sedačce místo připojení přídavné boční ochrany (L), umístěné nejbližší ke straně vozidla (tj. nejbližší dveři).

DŮLEŽITÉ: Ujistěte se, že dvě trojúhelníkové šipky (j) na přídavné boční ochraně (H) ukazují stejným směrem jako trojúhelníkové šipky na konektoru přídavné boční ochrany (L).

Nasadte horní ze dvou oválných otvorů na spodní části přídavné boční ochrany na konektor přídavné boční ochrany. Zatlačte přídavnou boční ochranu do boku autosedačky a vsuňte ji směrem nahoru do konektoru přídavné boční ochrany. Ucíťte jemné zacvaknutí, jak se boční ochrana dostane na správné místo.

Sundat: Tlačte přídavnou boční ochranu směrem dolů a sejměte.

Umístění dítěte do autosedačky

- 18 Stiskněte tlačítko úpravy popruhů (E) a vytáhněte ramenní popruhy směrem dopředu (bez ramenních vycpávek), čímž úplně povolíte popruhy.
- 19 Stiskněte červené tlačítko rozepnutí na upínací přezce a uvolněte popruhy.
- 20 Umístěte dítě do sedačky. Vedte paže dítěte pod ramenními popruhy tak, že popruhy visí přes hrudník a žaludek.
- 21 Spojte ramenní pásy dohromady a jazýčky spony zacvakněte do přezky mezi nožičkami dítěte.
- 22 Zatáhněte za pásek úpravy popruhů (F). Když utahujete pásek, je důležité vždy tahat směrem rovně a do středu. Tím dojde k upevnění popruhů a zároveň automaticky sjede opěrka hlavy do náležité výšky.

Aretace opěrky hlavy

- 23 Opěrka hlavy na sedačce Minikid je vybavena funkcí aretace. Můžete ji použít, pokud chcete zajistit opěrku hlavy v pevné poloze. Pokud chcete tuto funkci aktivovat, táhněte za pásek úpravy popruhů, dokud nedosáhnete požadované výšky. Uslyšíte slabé cvaknutí, jak se opěrka dostala do konkrétní polohy. Ověřte, že již nelze dále posouvat a zaaretujte opěrku hlavy posunutím páčky (H) směrem doprava.

VAROVÁNÍ: Pokud je opěrka hlavy zaaretovaná, nevytahujte ji směrem nahoru.

Sejmutí a připevnění potahů

VAROVÁNÍ: Nikdy nepoužívejte dětskou autosedačku bez potahu. Potah je nedílný bezpečnostní prvek.

- 24 Sundejte přídatnou boční ochranu (I), pokud je připojená a otočením doleva se ujistěte, že páčka zajištění opěrky hlavy (H) není zamčená.
- 25 Stiskněte tlačítko úpravy popruhů (E) a vytáhněte ramenní popruhy směrem dopředu (bez ramenních vycpávek), čímž úplně povolíte popruhy.
Poznámka: Pokud se opěrka hlavy nezvedne, zkontrolujte, zda páčka zajištění opěrky hlavy (H) není zamčená. Pokud je opěrka hlavy v poloze nahore, sejmutí potahu bude snazší.
- 26 Prohlédněte si umístění elastických pásků (i). Vezměte vždy jen jeden pásek, vložte ukazováček do poutka a najděte, kde je háčkem připojen k opěrce hlavy (ii). Opatrně vyhákněte elastické pásky z každého háčku (ii).
- 27 Rozepněte oba zipy na opěrce hlavy (jeden na spodní straně vpravo (i) a druhý zezadu (ii)).

Začněte vpravo a opatrně táhněte potah ven z opěrky hlavy. Jakmile je celý potah venku, opěrku hlavy zase dejte dolů a zajistěte. To pomůže, až budete sundavat potah z další části sedačky.
- 28 Stiskněte na přezce červené rozepínací tlačítko popruhů, povolte popruhy a vyjměte podložku z oblasti mezi nožičkami.
- 29 Rozepněte všechny tři zipy na potahu sedačky (zepředu potahu z každé strany jeden (i) a jeden zezadu potahu (ii)). Zipy na přední části potahu musí být úplně celé rozepnuté (i).
- 30 Rozepněte všechny cvočky (i), (ii), (iii).
- 31 Uvolněte a sundejte plastový pásek (i) kolem přední části dětské autosedačky. **DŮLEŽITÉ!** Ujistěte se, že vytahuje jen plastový pásek a **NE** látku.

Opatrně sejměte potah sedačky z oblasti okolo umístění seřizovače popruhů (ii).

Uložte si plastový pásek na bezpečné místo, budete ho potřebovat při opětovném nasazování potahu. V případě jeho ztráty kontaktujte svého prodejce.

- 32 Opatrně vytáhněte plastovou tyčku (i), zároveň přidržíte látku potahu zad u sedačky. Vytáhněte látku potahu zad směrem dopředu a prostrčte mezinožní pásek skrz látku na základně autosedačky. Nyní již můžete opatrně, směrem ze shora, sundat potah autosedačky. Při sundávání se ujistěte, že jsou všechny suché zipy rozepnuté.

K nasazení potahu proveďte výše uvedené kroky v opačném pořadí. Ujistěte se, že popruhy a ramenní pásy jsou vedeny správně.

Péče a údržba

Potah autosedačky můžete sundat a vyprat v pračce na jemný prací program do 30°C. Nesušte v sušičce! Mohlo by dojít k poškození potahu a vycpávky by se mohly oddělit od látky.

Video, znázorňující jak sejmout a opět nasadit potah najdete na www.axkid.com.

Všechny plastové části autosedačky Minikid můžete čistit jemným čisticím prostředkem a vodou.

Nepoužívejte agresivní chemikálie, obsahující rozpouštědla apod. Mohlo by dojít k poškození plastů a ohrozit bezpečnost dětského zádržného systému.

Všechny materiály, použité na autosedačce Minikid jsou recyklovatelné a měly by proto být recyklovány v souladu s místní legislativou. Pokud si nejste jisti, požádejte o radu nejbližšího odborníka v oblasti recyklace a nakládání s odpadem.

Jakékoliv jiné úpravy a modifikace výrobku než ty, uvedené v tomto návodu, nejsou dovoleny. Pečlivě se řiďte uvedenými instrukcemi. Všechny opravy musí být provedeny výrobcem nebo prodejcem Minikidu.

Pokud potřebujete vyměnit potah výrobku, doporučujeme použít originální potah od výrobce, Axkid. Pokud použijete jiný produkt, může dojít ke snížení bezpečnosti výrobku a může to v případě dopravní nehody vést k vážnému zranění nebo dokonce smrti.

Všechny použité materiály jsou vysoce odolné vůči UV záření. Nicméně, toto záření je velmi agresivní a může časem vést k vyblednutí barev potahu. Na to se nevztahuje záruka, vyblednutí barev se považuje za běžné opotřebení při používání.

Záruka

Na autosedačku Minikid poskytuje výrobce záruku 24 měsíců od data nákupu. Záruku lze uplatnit u vašeho prodejce s dokladem o koupi výrobku. Pokud se na výrobku vyskytne závada, kontaktujte vašeho prodejce. Doba záruky se prodlužuje o dobu, po kterou byl výrobek v servisu. Reklamací je nezbytné uplatnit co nejdříve po tom, co se závada objeví. Případné prodloužení může způsobit zhoršení závady. Zboží k reklamaci předávejte ve stavu, odpovídajícím zásadám obecné hygieny. Zjevné vady (chybějící části) je nutné reklamovat ihned nebo nejpozději do 10 dnů od zakoupení zboží. Na pozdější reklamacie nebude brán zřetel. Záruka se nevztahuje na:

* Běžné opotřebení při používání

* Závady způsobené nesprávným používáním, zanedbáním nebo dopravní nehodou

* Opravy a úpravy sedačky, prováděné třetí stranou

Axkid Minikid

Umiestnenie proti smeru jazdy vo váhovej kategórii 0-25 kg pomocou bezpečnostného pásu auta a upevňovacích pásov

Návod na použitie

Dôležité informácie

Pozorne si prečítajte návod na použitie zádržného systému autosedačky Minikid do vášho automobilu. Ďalšie informácie a videá k inštalácii nájdete na www.axkid.com.

Ďakujeme vám, že ste si vybrali autosedačku značky Axkid. Náš tím má viac než 30-ročné skúsenosti v oblasti detskej bezpečnosti a všetko naše úsilie sme smerovali k tomu, aby bola autosedačka Minikid čo najbezpečnejšia. Autosedačka Minikid je schválená podľa normy ECE R44/04, najnovšieho európskeho štandardu pre bezpečnosť detí. Pre maximálnu bezpečnosť vášho dieťaťa, je dôležité dodržiavať:

Pred inštaláciou autosedačky Minikid si starostlivo prečítajte tento návod na použitie. Pokiaľ ste na pochybách, obráťte sa na svojho predajcu, ktorý vám rád pomôže so správnou inštaláciou. Nesprávna inštalácia môže ohroziť vaše dieťa.

Axkid neodporúča používať detskú autosedačku typu vajca do doby, kedy je dieťa schopné samostatne sedieť. Axkid neodporúča používanie autosedačky Minikid 0-25 kg od narodenia, pretože malé deti v prvých pár mesiacov života potrebujú lepšiu oporu a ochranu.

Nepoužívajte autosedačku na sedadle, kde je aktívny airbag. Ak chcete autosedačku Minikid inštalovať na miesto s airbagom, musí sa airbag vypnúť alebo deaktivovať v autorizovanom servise. Je vždy dôležité sa presvedčiť, že je airbag deaktivovaný, niektoré vozy sú vybavené svetelnou kontrolkou deaktivácie.

Rozsiahly výskum ukázal, že riziko vážneho zranenia u malých detí je 5krát vyššie pri používaní autosedačky v smere jazdy, v porovnaní s používaním zádržného systému v polohe proti smeru jazdy. V autosedačke Minikid môže vaše dieťa cestovať v polohe proti smeru jazdy až do váhy 25kg.

Pri inštalácii autosedačky Minikid vždy používajte opornú nohu. Je to dôležitý bezpečnostný prvok, navrhnutý vzhľadom k čo najvyššej bezpečnosti vášho dieťaťa, ak sa stane dopravná nehoda.

Po dopravnej nehode, aj keď malej, by mal byť váš zádržný systém vymenený. Môžu sa objaviť nezistiteľné závady, ktoré môžu vážne ohroziť bezpečnosť vášho dieťaťa. To je tiež jeden z dôvodov, prečo Axkid neodporúča nákup sedačky z druhej ruky.

Nikdy nenechávajte vaše dieťa v aute bez dozoru.

Všetka batožina a nepripevnené predmety sa musia zaistiť, v prípade nehody môžu spôsobiť vážne zranenia cestujúcim.

Obsah

Autosedačka Minikid sa môže používať od cca 6 mesiacov alebo od doby, kedy je dieťa schopné samostatne sedieť, až do 6 rokov. Tento zádržný systém môžete do auta nainštalovať IBA v polohe proti smeru jazdy.

Časti	60
Povolené a nepovolené polohovanie autosedačky	
Proti-smerné 9-25kg s bezpečnostným pásom auta a páskami	60 - 64
Tento spôsob montáže sa dá použiť pre deti vážiace 9-25 kg.	
Vybratie a nasadenie poťahu	64-65
Starostlivosť a údržba	65
Záruka	65

Časti

A	Opierka hlavy	J	Patky
B	Integrované popruhy	K	Zvislá drážka
C	Upínacia spona popruhov	L	Konektor prídavnej bočnej ochrany
D	Otvor pre bezpečnostný pás	M	Upevňovacie pásky
E	Tlačítko úpravy popruhov	N	Zaistenie pásu
F	Pás nastavenia popruhov	O	-
G	Páčka nastavenia náklonu	P	Oporná noha
H	Páčka zaistenia opierky hlavy	Q	Tlačítko predĺženia opornej nohy
I	Prídavná bočná ochrana	R	Spodné kotviace pásky (x2)

Povolené a nepovolené spôsoby inštalácie autosedačky

1 Detský zádržný systém môže byť inštalovaný na akékoľvek sedadlo v automobile, umiestnené v smere jazdy, ktoré je vybavené 3-bodovým bezpečnostným pásom (i), kde nie je aktívny airbag. Detský zádržný systém sa nemôže inštalovať na sedadlo, vybavené iba 2-bodovým bezpečnostným pásom (ii).

DÔLEŽITÉ: Ak chcete umiestniť sedačku Minikid na miesto, vybavené airbagom, airbag sa musí nechať odpojiť v autorizovanom servise. Niektorá vozidlá disponujú mechanickým vypínačom airbagu – v tom prípade je možné odpojiť airbag týmto spôsobom – skontrolujte svetelný indikátor, signalizujúci vypnutie airbagu.

VAROVANIE: Nikdy nepoužívajte na sedadle, kde je aktívny airbag.

VAROVANIE: Nikdy nepoužívajte na sedadlách, umiestňovaných v aute proti smeru alebo bokom ku smeru jazdy.

VAROVANIE: Airbagy sú určené pre dospelých cestujúcich, vašim deťom môžu spôsobiť vážne zranenia.

Povolené a nepovolené spôsoby inštalácie detskej autosedačky

Na prednom sedadle spolujazdca (airbag nie je aktívny)	áno
Na prednom sedadle spolujazdca (airbag je aktívny)	NIE
Sedadlo vybavené 3-bodovým bezpečnostným pásom v smere jazdy	áno
Sedadlo vybavené 2-bodovým bezpečnostným pásom	NIE
Sedadlo umiestnené bokom ku smeru jazdy	NIE
Sedadlo umiestnené chrbtom ku smeru jazdy	NIE



Nikdy nepoužívajte túto autosedačku v aute, ktoré nie je vybavené schváleným 3-bodovým pásom podľa normy ECE R16.

Proti smeru jazdy 9-25kg s bezpečnostným pásom & upínacími páskami

Inštalácia Detskej Autosedačky

- 2 Najjednoduchší spôsob usadenia sedačky Minikid do auta je chrbtom dopredu. Obráťte chrbtovú časť autosedačky smerom k prednej časti auta.
- 3 Patky (J) by mali byť umiestnené cez okraj sedadla automobilu. Zvislá drážka (T) na patke by mala byť zároveň s hranou sedadla. Pokiaľ inštalujete sedačku v malom aute alebo pokiaľ vaše dieťa nepotrebuje extra priestor na nohy, môžete posadiť patku priamo na sedadlo, tým zároveň získate možnosť väčšieho náklonu autosedačky.

Poznámka: Pokiaľ inštalujete Minikid na predné sedadlo spolujazdca, je vhodné (ale nie zásadné), aby sa chrbát sedačky dotýkal palubnej dosky.

- 4 Vždy nastavujte čo najviac vzpriamenú polohu, napriek tomu musí vaše dieťa byť schopné samo držať hlavičku. Zároveň by malo byť dosť naklonené, keby zaspalo (aby mu nepadala hlavička dopredu). Čím je dieťa staršie, tým by mala byť sedačka viacej vzpriamená. Myslite prosím na to, že ako náhle dokončíte inštaláciu Minikidu, sedačka sa akoby vtisla do sedadla auta - je to spôsobené dotiahnutím popruhov a pásov a tým bude ešte o trochu viacej naklonená.



Nikdy neinštalujte detskú sedačku na sedadlo auta, kde je aktívny airbag.



Upevnenie bezpečnostného pásu auta

- 5 Rozopnite upevňovacie klipsy pásu (N) na oboch stranách autosedačky Minikid. Vytiahnite pás auta do jeho plnej dĺžky alebo aspoň 70-80 cm. Pretiahnite pás otvorom pre bezpečnostný pás (D), medzi poťahom sedačky a kostrou a vytiahnite von rovnakým otvorom na druhej strane sedačky. Pokiaľ je to pre vás pohodlnejšie, môžete pretiahnuť pás rovnakým otvorom ako v predošlom prípade (D), potom vrchom cez poťah sedačky a skrz otvor na druhej strane naspäť.
- 6 Zacvaknite jazyček spony do zámku sedadla v aute. Zatiahnite za pás a upravte tesnosť pásu po celej jeho dĺžke. Upevnite ramennú a bedernú časť pásu v blízkosti zámku bezpečnostného pásu vozidla.
- 7 Pri upevňovaní na opačnej strane sa zamerajte iba na bedernú časť pásu.

Pripojenie upevňovacích pásov

Niektoré vozidlá môžu byť vybavené kotviacimi očkami na spodnej časti koľajníc predného sedadla alebo, pokiaľ inštalujete na sedadlo spolujazdca, ešte pred ním.

- 8 Ak vaše vozidlo nie je vybavené kotviacimi očkami, musia sa použiť kotviace pásy, dodávané spolu so sedačkou.
- 9 Pokiaľ inštalujete sedačku na zadné sedadlo, prestrčte časť kotviacej pásy so sponou dolu cez zadnú časť koľajníc predného sedadla, prípadne cez pánt alebo okolo kovovej tyčky. Kotviaci bod musí byť čo najbližšie k podlahe. Potom pretiahnite kovovú sponu najbližším vhodným otvorom v páske – tým vytvoríte kĺzavú smyčku – a pevne zatiahnite. Opakujte aj na druhej strane, kotviace body musia byť dva.
- 10 Pokiaľ inštalujete sedačku na predné sedadlo spolujazdca, dolné kotviace pásy musia byť pripojené na predné koľajnice, takže kotviace body budú umiestnené pozdĺž prednej hrany sedadla spolujazdca.
- 11 Vytiahnite hornú kotviacu pásku z jej krytu (M) do dostatočnej dĺžky.
- 12 Uistite sa, že biele označenie na páske (i) je viditeľné. Ak nie, môžete skúsiť prekrížiť pásy cez seba (ii), tým sa predĺžia a potom bude vidieť biele označenie.
- 13 Zacvaknite pripojovacie spony priamo do kotviacich očiek vozidla (alebo spodných upevňovacích pásiiek, ak boli použité). Riadne zatlačte smerom zhora dolu na jednej strane sedačky (i) a potom tiež na druhej (ii). Je dôležité oprieť sa celou váhou tela a riadne tlačiť smerom dolu, aby sa upevňovacie pásy pevne dotiahli. Toto je prvé dotiahnutie upevňovacích pásiiek.

- 14 Vytiahnite opornú nohu (P) von pod maximálnym uhlom. Stlačte tlačidlo predĺženie nohy (Q) a predĺžte opornú nohu tak, aby sa zaprela o podlahu.
Poznámka: Pás oporné nohy môže, ale nemusí byť úplne napnutý.”
- 15 Je dôležité skontrolovať, že oporná noha zvierajú s chrbtom autosedačky uhol vyšší než 10 stupňov. Môžete si to overiť napríklad tým, že skontrolujete náklon opornej nohy voči sedadlu, ktorý má byť väčší než kolmý.
- 16 Znovu zatlačte smerom dolu kolísavým pohybom do strán autosedačky (i)(ii), upevňovacie pásy sa automaticky utiahnu.

Ak ste už autosedačku na zadnom sedadle nainštalovali, môžete posunúť predné sedadlo do pohodlnej polohy. **Poznámka:** Zadná strana autosedačky sa môže, ale nemusí dotýkať zadnej časti predného sedadla.

Použitie prídavnej bočnej ochrany

Použitie prídavnej bočnej ochrany nie je povinné, ale **SILNO** odporúčame ju používať, poskytuje nadštandardnú ochranu pri bočnom náraze.

- 17 Nájdite na sedačke miesto pripojenia prídavnej bočnej ochrany (L), umiestnené najbližšie k strane vozidla (tj najbližšie dveri).

DÔLEŽITÉ: Uistite sa, že dve trojuholníkové šípky (i) na prídavnej bočnej ochrane (H) ukazujú rovnakým smerom ako trojuholníkové šípky na konektore prídavnej bočnej ochrany (L).

Nasadte horné z dvoch oválnych otvorov na spodnej časti prídavnej bočnej ochrany na konektor prídavnej bočnej ochrany. Zatlačte prídavnú bočnú ochranu do boku autosedačky a vsuňte ju smerom nahor do konektora prídavnej bočnej ochrany. Pociťte jemné zacvaknutie, ako sa bočná ochrana dostane na správne miesto.

Odobrať: Tlačte prídavnú bočnú ochranu smerom nadol a odstráňte ju.

Umiestnenie dieťaťa do autosedačky

- 18 Stlačte tlačítko úpravy popruhov (E) a vytiahnite ramenné popruhy smerom dopredu (bez ramenných vpychávok), tým popruhy úplne povolíte.
- 19 Stlačte červené tlačítko rozopnutia na upínacej pracke a uvoľnite popruhy.
- 20 Umiestnite dieťa do sedačky. Vedte paže dieťaťa pod ramennými popruhmi tak, že popruhy budú visieť cez hrudník a žalúdok.
- 21 Spojte ramenné pásy dohromady a jazýčky spony zacvaknite do pracky medzi nožičkami dieťaťa.
- 22 Zatiahnite za pás úpravy popruhov (F). Keď ťahujete popruhy, je dôležité vždy ťahať pás smerom rovno a do stredu. Tým dôjde k upevneniu popruhov a zároveň automaticky zide opierka hlavy do správnej výšky.

Aretácia opierky hlavy

23 Opierka hlavy na sedačke Minikid je vybavená funkciou aretácie. Môžete ju použiť, ak chcete zaistiť opierku hlavy v pevnej polohe. Ak chcete aktivovať túto funkciu, ťahajte za pás úpravy popruhov, dokiaľ nedosiahnete požadovanú výšku. Ak počujete slabé cvaknutie, opierka sa dostala do konkrétnej polohy. Overte si, že sa už nedá ďalej posúvať a zaaretujte opierku hlavy posunutím páčky (i) smerom doprava.

VAROVANIE: Ak je opierka hlavy zaaretovaná, nevyťahujte ju smerom hore.

Vybratie a nasadenie poťahov

VAROVANIE: Nikdy nepoužívajte detskú autosedačku bez poťahu. Poťah je nedeliteľný bezpečnostný prvok.

- 24** Zložte prídavnú bočnú ochranu (I), ak je pripojená a otočením dolava sa uistite, že páčka zaistenia opierky hlavy (H) nie je zamknutá.
- 25** Stlačte tlačítko úpravy popruhov (E) a vytiahnite ramenné popruhy smerom dopredu (bez ramenných vypchávk), tým popruhy úplne povolíte.
Poznámka: Ak sa opierka hlavy nezdvihne, skontrolujte, či páčka zaistenia opierky hlavy (H) nie je zamknutá. Ak je opierka hlavy v polohe hore, sňatie poťahu bude jednoduchšie.
- 26** Prezrite si umiestnenie elastických pásov (i). Vezmite vždy len jeden opasok, vložte ukazovák do pútky a nájdite, kde je háčikom pripojený k opierke hlavy (ii). Opatrne vyháknite elastické pásy z každého háčika (ii).
- 27** Rozopnite oba zipsy na opierke hlavy (jeden na spodnej strane vpravo (i) a druhý zozadu (ii)).
Začnite vpravo a opatrne ťahajte poťah von z opierky hlavy. Akonáhle je celý poťah vonku, opierku hlavy zase dajte dole a zaistite. To pomôže, až budete odnímať poťah z ďalšej časti sedačky.
- 28** Stlačte na pracke červené rozopínajúce tlačidlo popruhov, povolte popruhy a vyberte podložku z oblasti medzi nožičkami.
- 29** Rozopnite všetky tri zipsy na poťahu sedačky (spredú poťahu z každej strany jeden (i) a jeden zozadu poťahu (ii)). Zipsy na prednej časti poťahu musí byť úplne celé rozopnuté (i).
- 30** Rozopnite všetky cvočky (i), (ii), (iii).
- 31** Uvoľnite a zložte plastový pásik (i) okolo prednej časti detskej autosedačky. **DÔLEŽITÉ!** Uistite sa, že vyťahujete len plastový pásik a **NIE** látku.
Opatrne odstráňte poťah sedačky z oblasti okolo umiestnenia nastavovača popruhov (ii).

Uložte si plastový pásik na bezpečné miesto, budete ho potrebovať pri opätovnom nasadzovaní poťahu. V prípade jeho straty kontaktujte svojho predajcu.

32 Opatrne vytiahnite plastovú tyčku (i), zároveň pridržavajte látku poľahu chrbta u sedačky. Vytiahnite látku poľahu chrbta smerom dopredu a prestrčte medzinožný pásik skrz látku na základni autosedačky. Teraz už môžete opatrne, smerom zhora, dať dole poľah autosedačky. Pri vyberaní sa uistite, že sú všetky suché zipsy rozopnuté.

K nasadeniu poľahu vykonajte vyššie uvedené kroky v opačnom poradí. Uistite sa, že popruhy a ramenné pásy sú vedené správne.

Starostlivosť a údržba

Poľah autosedačky môžete dať dolu a vyprať v práčke na jemný prací program do 30°C. Nesušte v sušičke! Mohlo by dôjsť k poškodeniu poľahu a vypchávkou by sa mohli oddeliť od látky. Videá, znázorňujúce ako dať dolu a opäť nasadiť poľah nájdete na www.axkid.com.

Všetky plastové časti Minikidu môžete čistiť jemným čistiacim prostriedkom a vodou. Nepoužívajte agresívne chemikálie, obsahujúce rozpúšťadlá apod. Mohlo by dôjsť k poškodeniu plastov a ohrozeniu bezpečnosti detského zádržného systému.

Všetky materiály, použité na autosedačke Minikid sú recyklovateľné a mali by preto byť recyklované v súlade s miestnou legislatívou. Pokiaľ si nie ste istý, požiadajte o radu najbližšieho odborníka v oblasti recyklácie.

Akkoľvek iné úpravy a modifikácie výrobku, mimo tento návod, sú nepovolené. Starostlivo sa riaďte uvedenými inštrukciami. Všetky opravy musia byť prevedené výrobcom alebo predajcom Minikidu.

Ak potrebujete vymeniť poľah výrobku, odporúčame použiť originálny poľah od výrobcu, Axkid. Pokiaľ použijete iný produkt, môže dôjsť ku zníženiu bezpečnosti výrobku a môže to v prípade dopravnej nehody viesť i k vážnemu zraneniu alebo dokonca k smrti.

Všetky použité materiály sú vysoko odolné voči UV žiareniu. Avšak, toto žiarenie je veľmi agresívne a môže časom viesť k vyblednutiu farieb na poľahu - na to sa nevzťahuje záruka, vyblednutie farieb sa považuje za bežné opotrebenie pri používaní.

Záruka

Na autosedačku Minikid poskytuje výrobca záruku 24 mesiacov od dátumu nákupu. Záruka sa dá uplatniť u vášho predajcu s dokladom o kúpe výrobku. Pokiaľ sa na výrobku vyskytne záhada, kontaktujte vášho predajcu. Doba záruky sa predlžuje o dobu, čo bol výrobok v servise. Reklamácia sa musí uplatniť čo najskôr po tom, čo sa záhada objaví. Prípadné čakanie môže spôsobiť zhoršenie závady. Tovar k reklamácií predávajúce v stave odpovedajúcom zásadám všeobecnej hygieny. Zjavné vady (chýbajúce časti) je nutné reklamovať ihneď alebo najneskôr do 10 dní od zakúpenia tovaru. Na neskoršie reklamácie sa nebude brať ohľad. Záruka sa nevzťahuje na:

* Bežné opotrebenie pri používaní

* Závady spôsobené nesprávnym používaním, zanedbávaním alebo dopravnou nehodou

* Opravy a úpravy sedačky, urobené treťou stranou

Axkid Minikid

Umiesctenie proti smeru jazdy vo váhovej kategórii 0-25 kg pomocou bezpečnostného pásu
auta a upevňovacích pásov

Manual de instructiuni

Informații importante

Citiți acest manual de instrucțiuni înainte de a instala scaunul auto pentru copii Minikid în autovehiculul dumneavoastră. Pentru mai multe informații și videoclipuri, vizitați

www.axkid.com.

Vă mulțumim că ați ales un scaun pentru copii Axkid. Echipa noastră are peste 30 de ani experiență combinată în domeniul siguranței copiilor și am făcut tot posibilul pentru ca scaunul pentru copii Minikid să fie cât mai sigur posibil. Scaunul auto pentru copii Minikid este omologat în conformitate cu ECE R44 / 04, cele mai recente standarde europene pentru siguranța copiilor. Pentru a maximiza siguranța copilului dvs., este important să aveți în vedere următoarele: standardu pre bezpečnosť detí. Pre maximálnu bezpečnosť vášho dieťaťa, je dôležité dodržiavať:

Citiți cu atenție acest manual de instrucțiuni înainte de a instala scaunul auto pentru copii Minikid. Dacă aveți îndoieli, contactați distribuitorul la adresa contact@axkid.ro pentru a verifica instalarea. O instalare incorectă ar putea pune în pericol copilul dumneavoastră.

Axkid recomandă întotdeauna utilizarea unei scoici special, până când copilul este suficient de dezvoltat pentru a sta în sezut fără susținere. Axkid nu recomandă utilizarea Minikid 0-25 kg de la naștere, deoarece copiii mai mici au nevoie de o mai bună susținere și protecție în primele luni de viață.

Nu utilizați un sistem de siguranță pentru copii într-un loc din mașina dotat cu un airbag activ. Dacă doriți să instalați Minikid pe locul din față, airbagul trebuie deconectat într-un centru de service autorizat. Unele vehicule pot fi echipate cu un întrerupător care vă permite să opriți manual airbag-ul. Este important să verificați întotdeauna dacă indicatorul luminos al vehiculului arată că airbagul este oprit.

Cercetările extinse au arătat că riscul de vătămare corporală gravă sau chiar mai rău este de cinci ori mai mare pentru un copil mic, atunci când acesta se află într-un sistem de siguranță orientat cu fața la direcția de mers, în comparație cu un sistem instalat cu spatele la direcția de mers. În Minikid copilul dvs. poate călători orientat cu spatele la direcția de mers până la 25 kg.

Utilizați întotdeauna piciorul de sprijin atunci când instalați scaunul Minikid. Piciorul de sprijin este o caracteristică importantă de siguranță, concepută pentru a maximiza siguranța copilului dumneavoastră în caz de accident.

Dacă aveți un accident, indiferent cât de mic, scaunul auto pentru copii trebuie înlocuit. Acesta poate avea daune nedetectabile și ar putea pune în pericol siguranța copilului dumneavoastră. Din acest motiv, Axkid nu recomandă cumpărarea sistemelor de siguranță pentru copii la mâna a doua.

Nu lăsați niciodată copilul dvs. nesupravegheat în mașină.

Asigurați-vă că bagajele sau obiectele libere sunt fixate în vehicul, deoarece acestea pot cauza rănirea pasagerilor în caz de coliziune.

Cuprins

Scaunul auto pentru copii Minikid este adecvat pentru utilizare de la vârsta de aproximativ șase luni sau de la momentul în care copilul dumneavoastră poate sta în sezuț fără suport, până la vârsta de șase ani. Acest scaun auto pentru copii poate fi montat numai cu spatele la direcția de mers.

Elemente

67

Poziționarea permisă și nepermisă a scaunului de mașină pentru copii

Rear-facing 0-25 kg - Instalare cu centura de siguranță a mașinii și centuri adționale

68 - 72

Instalarea scaunului.

Îngrijire și întreținere

71

Garanția

72

Elemente

A	Tetiera	J	Talpa
B	Centuri integrate	K	Linia verticală indentată
C	Catarama pentru centuri	L	Conectorul plăcii de impact lateral
D	Slot centură de siguranță	M	Centuri laterale
E	Buton pentru ajustare lungime centuri integrate	N	Clemblocare centura
F	Curea de reglare a lungimii centurilor	O	-
G	Maner ajustare inclinare	P	Picior de sprijin
H	Frâna pentru tetieră	Q	Butonul de extensie a piciorului
I	Tampon de impact lateral	R	Curele de ancorare inferioare (x2)

Poziționarea permisă și nepermisă a scaunului de mașină pentru copii

1 Scaunul auto pentru copii poate fi utilizat pe orice scaun pentru pasageri dotat cu centură de siguranță în trei puncte (i), atăta timp cât nu există un airbag activ. Scaunul auto pentru copii nu poate fi utilizat cu o centură de siguranță în două puncte (ii).

IMPORTANT: Dacă doriți să instalați dispozitivul Minikid într-un loc unde este instalat un airbag, atunci airbagul trebuie deconectat într-un centru de service autorizat. Unele vehicule pot fi echipate cu un întrerupător care vă permite să opriți manual airbag-ul. Este important să verificați întotdeauna dacă indicatorul luminos al vehiculului arată că airbagul este oprit.

AVERTISMENT: Nu utilizați niciodată pe un scaun cu un airbag active.

AVERTISMENT: Nu folosiți niciodată pe scaunele orientate cu spatele la direcția de mers sau lateral ale autovehiculului

AVERTISMENT: Airbagurile sunt concepute pentru adulți și pot dăuna grav copilului într-un accident.

Poziționarea permisă și nepermisă a scaunului de mașină pentru copii.

Scaunul pasagerului din față (fără airbag activ)	Da
Scaunul pasagerului din față (airbag activ)	NU
Scaun orientat spre înainte cu centură de siguranță în 3 puncte	Da
Scaun cu centură de siguranță în 2 puncte	NU
Scaune orientate lateral	NU
Scaune orientate spre spate	NU



Nu utilizați niciodată acest scaun pentru copii într-o mașină care nu este echipată cu o centură aprobată ECE Reg 16 în trei puncte.

Rear-facing 0-25 kg - Instalare cu centura de siguranță a mașinii și centuri aditionale

Instalarea scaunului

- 2 Cea mai ușoară modalitate de a așeza Minikid-ul în vehicul este de a-l poziționa mai întâi cu spatele. Așezați scaunul auto pentru copii în autovehicul cu spatele scaunului îndreptat spre fața vehiculului.
- 3 Talpa scaunului (J) trebuie să stea pe marginea banchetei vehiculului. Linia verticală indentată (K) pe picioarele din spate trebuie să se alinieze vertical cu marginea banchetei vehiculului. Dacă instalați într-un vehicul mic sau dacă copilul dvs. nu necesită spațiu suplimentar pentru picioare, puteți instala scaunul pentru copii pe bancheta, lipit de spatarul banchetei, astfel încât să atingeți și o poziție mai înclinată.

Notă: La instalarea scaunului Minikid pe scaunul din față este posibil, dar nu esențial, ca partea din spate a scaunului pentru copil să aibă contact cu bord-ul mașinii.

- 4 Pentru a regla înclinarea scaunului pentru copii, apăsați maneta de reglare a înclinării (G) pentru a selecta una dintre cele cinci poziții de înclinare. Alegeți întotdeauna cea mai dreaptă poziție posibilă, având în vedere și dezvoltarea copilului. Copilul dumneavoastră trebuie să poată să-și țină capul singur iar scaunul trebuie să fie înclinat suficient astfel încât capul copilului să nu cadă în fața când doarme. Regula principală este că, cu cât copilul crește, cu atât se poate reduce înclinarea scaunului. Vă rugăm să rețineți că odată ce instalarea scaunului Minikid este completă, acesta va fi oarecum mai înclinat, deoarece se scufundă în scaunul vehiculului din cauza străngerii centurilor de siguranță și a curelelor de prindere (buretele banchetei este presat și scaunul poate fi mai înclinat după instalare).



Nu instalați niciodată un scaun auto pentru copii pe un loc din mașina dotat cu airbag frontal.



Fixarea centurii de siguranță a autovehiculului

- 5 Deschideți clemele de blocare a centurii (N) de pe ambele părți ale scaunului pentru copii Minikid. Lungiți complet centura de siguranță până când secțiunea transversală a centurii este de cel puțin 70-80cm (27-32 inch) lungime. Treceti centura de siguranță prin orificiul centurii de siguranță (D), între capacul scaunului și caroseria scaunului, până când cureaua coboară prin fanta centurii de siguranță de pe cealaltă parte. Dacă preferați, puteți trece centura de siguranță prin fanta centurii de siguranță (D), apoi peste partea de sus a capacului centurii de siguranță și apoi prin fanta centurii de siguranță din cealaltă parte.
- 6 Introduceți centura de siguranță în catarama centurii de siguranță a vehiculului. Trageți centura de siguranță până când toată rezerva de lungime este îndepărtată de-a lungul traseului centurii de siguranță. Asigurați-vă ca atât centura de la mijloc, cât și centura de la umăr sunt tensionate și apoi prindeți-le pe amandoua cu ajutorul clemei din partea cea mai apropiată de incuietorea centurii de siguranță.
- 7 În clema de pe partea opusă, numai centura de sold trebuie fixate în clema.

Atașarea curelelor de prindere

Unele vehicule pot fi deja dotate cu puncte de ancorare în partea din spate a șinelor scaunelor din față sau, în cazul în care se montează pe scaunul pasagerului din față, în fața scaunului respectiv.

- 8 Dacă autovehiculul dvs. nu are aceste puncte de ancorare, trebuie folosite centurile aditionale de ancorare furnizate.
- 9 Pentru instalarea pe bancheta din spate, introduceți capătul cataramii curelei de ancorare fie prin partea din spate a șinelor scaunelor din față, fie prin balamaua scaunului din față. Punctul de ancorare trebuie să fie cât mai aproape posibil de podea. Procedând astfel, ar trebui să introduceți întotdeauna catarama benzii de ancorare prin cel mai apropiat slot adecvat în curea pentru a crea un nod alunecător, apoi trageți bine. Acest lucru trebuie repetat pe ambele părți pentru a crea două puncte de ancorare.
- 10 Atunci când instalați Minikid pe scaunul pasagerului din față, centurile aditionale de ancorare trebuie atașate la liniile de culisare din față, astfel încât punctele de ancorare să fie amplasate de-a lungul marginii frontale a scaunului pasagerului.
- 11 Trageți cureaua superioară din carcasa curelei (M) la o lungime corespunzătoare.
- 12 Verificați dacă marcajul alb al curelei (i) este vizibil. Dacă nu, încercați să prindeți în diagonală centurile (ii) pentru a le da o lungime suplimentară pentru a permite vizibilitatea marcajului alb.
- 13 Prindeți centurile aditionale direct pe punctele de ancorare ale autovehiculului (sau pe catarama centurilor aditionale dacă le-ați instalat anterior). Apăsăți în jos puternic pe partea superioară a unei părți (i) a scaunului pentru copii, apoi repetați pe cealaltă parte (ii). Când faceți acest lucru este important să utilizați cu adevărat greutatea totală a corpului pentru a apăsa și a face ca curelele de prindere să se retraga. Acest lucru va asigura bridelor de prindere prima strângere.

- 14 Desfaceți piciorul de sprijin (P) la unghiul său maxim. Apăsăți butonul de extensie a piciorului (Q) și extindeți piciorul de sprijin până când ajunge la podea.
Notă: Centura de susținere a piciorului poate, dar nu trebuie, să fie complet tensionată.
- 15 Este important să verificați dacă piciorul de sprijin este la un unghi de peste 10 ° față de spatele scaunului. Puteți verifica acest lucru asigurându-vă că piciorul de sprijin este mai departe de scaun decât linia verticală.
- 16 Apăsăți din nou scaunul copilului dintr-o parte în alta (i) (ii), iar centurile de prindere se vor strânge automat.

Dacă ați instalat Minikid pe bancheta din spate, acum puteți deplasa scaunul față într-o poziție confortabilă.

Notă: spatele scaunului pentru copii poate, dar nu trebuie să fie în contact cu spătarul scaunului din față.

Folosirea tamponului de protecție laterala

Deși opțional, recomandăm **FERM** utilizarea tamponului de impact lateral, dacă este posibil, pentru a adăuga o protecție suplimentară împotriva coliziunilor laterale.

- 17 Localizați conectorul plăcii de impact lateral (L) pe scaunul copilului, cel mai apropiat de partea laterală a vehiculului (adică cel mai apropiat de ușă).

IMPORTANT: Asigurați-vă că cele două săgeți triunghiulare (i) de pe tamponul de impact lateral (I) sunt orientate în aceeași direcție cu săgeata triunghiulară a conectorului (L).

Așezați partea superioară a celor două deschizături ovale de pe partea inferioară a tamponului de impact lateral peste conectorul pentru elementul de impact lateral. Împingeți suportul de impact lateral pe partea laterală a scaunului auto și glisați suportul de impact lateral în sus pe conectorul plăcii de impact lateral. Veți simți o ușoară apăsare deoarece blocul de impact lateral se blochează în poziție.

Pentru a scoate: împinge tamponul de impact lateral în jos și se îndepărtează.

Asezarea copilului in scaun

- 18 Apăsăți butonul de reglare a centurilor (E) și lărgiți centurile până atingeți lungimea maximă.
- 19 Deschideți catarama apăsând pe butonul roșu și desfaceți centurile.
- 20 Așezați copilul în scaunul auto. Puneți brațele copilului între centuri, astfel încât centurile să atârne peste piept și stomac.
- 21 Trageți centurile împreună și introduceți limbile centurilor în cataramă.
- 22 Trageți cureaua de reglare a centurii (F). Este important să trageți întotdeauna hamul drept și central atunci când strângeți cureaua de reglare. Acest lucru va strânge hamul și tetiera și aluneca automat până la înălțimea corespunzătoare.

Frâna de sprijin a capului pe tetieră

23 Tetiera de pe Minikid este echipată cu o frână de sprijin pentru cap. Acest lucru poate fi folosit dacă doriți să păstrați tetiera într-o poziție fixă. Pentru a activa frâna de susținere a capului, trageți cureaua de reglare a centurii până când tetiera se află la înălțimea dorită, veți auzi un sunet ușor de "clic" de pe tetieră, deoarece aceasta se blochează în poziție. Verificați dacă tetiera nu mai poate fi trasă în jos și activați frâna de fixare a tetierei prin deplasarea manetei (H) spre dreapta.

AVERTISMENT: Nu trageți în sus tetiera cu frâna de mână activată.

Demontarea și montarea husei scaunului

ATENȚIE: Nu folosiți niciodată scaunul pentru copii fără husa. Husa scaunului reprezintă un element de siguranță.

24 Scoateți tamponul de impact lateral (I) dacă este atașat și asigurați-vă că pârghia frânei (H) este deblocată rotind-o spre stânga.

25 Apăsăți butonul de reglare a centurii (E) și trageți înainte de curelele de umăr (nu de protecțiile de umăr) pentru a slăbi complet centura.
Notă: În cazul în care tetiera nu se ridică, verificați dacă maneta frânei (H) este deblocată. Având înălțata tetiera, se va scote mai ușor husa tetierei.

26 Localizați buclele elastice (i). Lucrând într-o singură buclă, plasați degetul în buclă și trageți bucla înapoi pe locul unde este atașat pe tetieră printr-un cârlig (ii). Îndepărtați cu grijă buclele elastice de pe fiecare parte (ii).

27 Desfaceți cele două fermoare de pe tetiera (una pe partea inferioară a părții din dreapta a tetierei (i) și una pe spate (ii)).

Începând din dreapta, trageți cu atenție husa de pe tetieră. Odată ce a fost scoasa husa tetierei, coborâți din nou tetiera și blocați-o. Acest lucru vă va ajuta în timp ce scoateți husa scaunului.

28 Apăsăți butonul roșu de eliberare a centurii de pe cataramă pentru a desface centura integrate și pentru a scoate suportul pentru picioare.

29 Desfaceți cele trei fermoare de pe husa scaunului (unul pe fiecare parte a părții frontale a scaunului (i) și unul pe partea din spate a scaunului (ii) Asigurați-vă că deschideți complet fermoarele de pe fiecare parte a spatelui (i).

30 Desfaceți toate capsule ce tin husa lipita de scaun (i), (ii), (iii).

31 Eliberați și scoateți banda de plastic (i) de-a lungul bazei scaunului pentru copii. **IMPORTANT!** Asigurați-vă că trageți banda de plastic și **NU** trageți materialul. Scoateți cu grijă husa scaunului din jurul carcasei dispozitivului de reglare a centurii (ii).

IMPORTANT! Păstrați bine banda de plastic pentru cand va fi nevoie să montați din nou husa scaunului. Dacă pierdeți banda de plastic, va trebui să contactați distribuitorul pentru înlocuirea acesteia.

32 Scoateți cu grijă tija de plastic (i) care ține materialul scaunului din spatarul scaunului. Trageți de husa scaunului din spate și scoateți centurile. Acum puteți începe, pornind de la partea superioară a husei scaunului, să scoateți cu grijă husa scaunului, asigurându-vă că eliberați toate prinderile Velcro® pe măsură ce faceți acest lucru.

Pentru a monta husa, inversați pașii de mai sus, asigurându-vă că centurile și protecțiile lor pentru umăr sunt direcționate corect.

Îngrijire și întreținere

Husa scaunului poate fi îndepărtat și spălat într-o mașină de spălat la 30 ° C în programul "Cycle Gentle". Nu puneți husa într-un uscător, deoarece acest lucru poate deteriora husa și căptușeala se poate separa de țesătură. Accesați www.axkid.ro pentru a găsi videoclipuri care explică modul de scoatere și atașare a husei.

Orice piese din material plastic din Minikid pot fi curățate cu detergent ușor și apă. Nu utilizați substanțe chimice agresive care conțin solvenți, deoarece acest lucru poate provoca deteriorarea materialului plastic și poate compromite siguranța scaunului pentru copii.

Toate materialele utilizate în scaunul auto pentru copii Minikid sunt reciclabile și ar trebui reciclate conform legislației locale. Adresați-vă centrului local de reciclare pentru consiliere atunci când reciclați acest produs.

Nu efectuați alte modificări sau schimbări ale scaunului pentru copii Minikid decât cele descrise în acest manual de instrucțiuni. Urmați cu atenție instrucțiunile din acest manual. Orice reparații trebuie efectuate de către producător sau agent.

În cazul în care husa scaunului trebuie înlocuită, asigurați-vă că se utilizează numai produse originale de la Axkid. Dacă se utilizează alte produse, sistemul de siguranță al Minikid poate fi compromis și poate duce la vătămări grave sau deces în caz de accident.

Toate materialele utilizate au un grad foarte ridicat de rezistență la radiații UV. Cu toate acestea, lumina UV este foarte agresivă și în cele din urmă va duce la decolorarea capacului scaunului. Acest lucru nu este acoperit de garanția noastră deoarece este considerată uzură normală.

Garanția

Scaunul auto pentru copii Minikid beneficiază de o garanție de 24 de luni de la data achiziționării. Asigurați-vă că salvați chitanța și prezentați-o la locul de achiziție în cazul în care aveți probleme de garanție.

Garanția nu acoperă:

- * Uzura normală
- * Daune cauzate de utilizarea incorectă, neglijență sau accident
- * Dacă reparațiile au fost efectuate de o terță parte

Axkid Minikid

Dos à la route 0-25 kg installé avec la ceinture de sécurité

Manuel d' instructions

Information importantes

Lire le manuel d'utilisation avant d'installer le siège-auto dans votre véhicule, Pour plus d'informations et de vidéos visiter www.axkid.com

Merci d'avoir choisi un siège-auto Axkid. Notre équipe a plus de 30 ans d'expérience dans la sécurité des enfants et nous avons fait tout notre possible pour rendre le Minikid siège-auto le plus sûr possible. Le siège-auto Minikid a été approuvé selon la norme ECE R44/04, la dernière norme européenne en matière de sécurité enfant. Pour maximiser la sécurité de votre enfant il est important que vous gardiez à l'esprit les choses suivantes:

Lire attentivement le manuel d'instruction avant d'installer le siège-auto Minikid. Si vous avez un doute n'hésitez pas à contacter votre revendeur qui pourra vous montrer la correcte installation. Une mauvaise mise en place pourrait mettre en danger votre enfant.

Axkid recommande toujours d'utiliser un porte-bébé jusqu'à ce que l'enfant soit suffisamment stable pour s'asseoir sans aide. Axkid ne recommande pas d'utiliser Minikid 0-25 kg dès la naissance dans la mesure où les bébés ont besoin d'un meilleur soutien et d'une plus grande protection les deux premiers mois de leur vie.

Ne pas utiliser un siège-auto dans un véhicule muni d'airbags. Si vous souhaitez tout de même installer le Minikid à cet endroit, les airbags doivent être déconnectés dans un centre agréé. Certains véhicules peuvent être équipés d'un bouton qui vous permet manuellement de désactiver les airbags. Il est important de toujours vérifier si l'indicateur lumineux de votre tableau de bord indique que ceux-ci sont bien désactivés.

De nombreuses études ont montré que le risque de blessures graves ou pire, est cinq fois plus élevé pour un jeune enfant quand il fait face à la route comparé à lorsqu'il se trouve dos à la route. Dans le Minikid votre enfant peut voyager dos à la route jusqu'à 25kg.

Toujours utiliser la jambe de support quand vous installez le siège Minikid. La jambe de support est un élément très important, crée spécialement pour maximiser la sécurité de votre enfant en cas d'accident.

Si vous avez un accident, même sans gravité, votre siège-auto devra être remplacé. Il a pu être endommagé, même si c'est indétectable à l'œil nu, il pourrait sérieusement mettre en péril la sécurité de votre enfant. Pour cette raison Axkid ne recommande pas l'achat d'un siège-auto d'occasion.

Ne jamais laisser votre enfant sans surveillance dans la voiture.

Assurez-vous que tous les objets ou bagages sont attachés et ne peuvent pas se déplacer dans le véhicule, ils pourraient causer des blessures aux passagers en cas de collision.

Sommaire

Le siège auto Minikid convient aux enfants à partir d'environ 6 mois ou à partir du moment où l'enfant peut s'asseoir sans support, jusqu'à 6 ans. Ce siège-auto peut UNIQUEMENT être installé dos à la route.

Pièces	74
Positionnement autorisé et interdit du siège-auto	74-75
Dos à la route 0-25 kg avec ceinture de sécurité et sangles d'attaches	75-78
Cette installation peut être utilisée pour les enfants entre 9 et 25 kg	
Retrait et mise en place des housses	78
Entretien et maintenance	79
Garantie	79

Pièces

A	Appui-tête	J	Talons
B	Harnais intégral	K	Ligne d'indication de la verticale
C	Boucle de harnais	L	Connecteur du coussin d'impact latéral
D	Insert pour ceinture de sécurité	M	Sangles d'attache du siège
E	Manette de réglage du harnais	N	Clamps pour ceinture de sécurité
F	Sangle d'ajustement du harnais	O	-
G	Levier de réglage de l'inclinaison	P	Jambe de support
H	Levier de frein de l'appui-tête	Q	Bouton d'extension de jambe
I	Coussin d'impact latéral	R	Sangles d'ancrage du bas (x2)

Positionnement autorisé et interdit du siège-auto

1 Ce siège-auto peut être utilisé sur tous les sièges muni d'une ceinture de sécurité 3 points (i) du moment qu'aucuns airbags n'est actif. Ce siège- auto ne peut pas être utilisé avec une ceinture ventrale : 2 points (ii)

IMPORTANT: Si vous souhaitez installer le Minikid dans un véhicule muni d'airbags, les airbags doivent être déconnectés dans un centre agréé. Certains véhicules peuvent être équipés d'un bouton qui vous permet manuellement de désactiver les airbags. Il est important de toujours vérifier si l'indicateur lumineux de votre tableau de bord indique que ceux-ci sont bien désactivés.

ATTENTION: Ne jamais utiliser lorsque l'airbag est active

ATTENTION: Ne jamais utiliser face à la route ou face aux cotés

ATTENTION: Les airbags sont conçu pour les adultes et peuvent gravement blesser votre enfant lors d'un accident

Positionnement autorisé et interdit du siège-auto.

Siège passager avant (sans airbags actifs)	Oui
Siège passager avant (airbags actif)	NON
Dos à la route avec une ceinture 3 points	Oui
Installé sur un siège avec une ceinture ventrale	NON
Installé de côté	NON
Installé face à la route	NON



Ne jamais utiliser ce siège-auto dans un véhicule qui n'est pas équipé ECE Reg 16 approuvée avec une ceinture 3 points.

Dos à la route 0-25 kg avec ceinture de sécurité et sangles d'attaches

Positionner le siège-auto

- 2 La façon la plus simple d'installer le Minikid dans le véhicule est, de faire rentrer le dos du siège en premier.
- 3 Les talons du siège-auto (J) doivent être sur le rebord du siège du véhicule. La ligne indicative de la verticale (K) doit être alignée avec le rebord du siège, s'il est installé dans un petit véhicule, ou si votre enfant n'a pas besoin de beaucoup de place pour ses jambes, vous pouvez à la place, mettre les talons du siège -auto sur l'assise ce qui inclinera un peu plus le siège.

Note: Lorsqu'il est installé à l'avant, le siège Minikid peut toucher le tableau de bord.

- 4 Pour régler l'angle du dispositif de retenue de l'enfant, appuyez sur le levier du réglage de l'inclinaison (G) pour sélectionner une des cinq positions inclinées. Choisissez toujours la position la plus droite possible, Cependant votre enfant doit être capable de tenir sa tête par lui même, mais suffisamment incliné pour ne pas que sa tête tombe lorsqu'il dort. En règle générale plus l'enfant grandit plus le siège peut être installé droit, Merci de noter qu'une fois l'installation du Minikid terminée, une fois les sangles serrées, le siège s'enfoncera dans le siège du véhicule et se retrouvera un peu plus incliné.



Ne jamais installer un siège-auto sur le siège passager où un airbag est activé.



Attacher la ceinture de sécurité

- 5 Ouvrez les clamps des deux côtés du Minikid (N) Tirez sur la ceinture de sécurité jusqu'à ce que la partie ventrale de la ceinture fasse au moins 70-80 cm de long. Insérer la ceinture de sécurité par l'insert pour ceinture de sécurité (D), à travers l'ouverture, entre la housse et l'armature du siège, jusqu'à l'ouverture de l'autre côté. Si vous préférez vous pouvez aussi faire passer la ceinture par dessus la housse et la faire passer par l'insert pour ceinture de sécurité de l'autre côté.
- 6 Insérer la boucle de la ceinture de sécurité à l'attache habituelle. Resserrer la ceinture de sécurité du véhicule. Du côté de la boucle d'attache de la ceinture de sécurité, sécuriser la ceinture ventrale et diagonale en fermant le clamp prévu à cet effet.
- 7 De l'autre côté ne sécuriser que la ceinture ventrale avec le clamp

Attacher les sangles d'attache du siège

Certains véhicules peuvent déjà être équipé de point d'ancrage à la base des rails du siège avant ou si installé à l'avant, à l'avant du siège.

- 8 Si votre véhicule ne possède pas ces points d'ancrage, les sangles d'attaches du bas inclus, doivent être utilisées.
- 9 Pour l'installation sur le siège arrière, accrocher les sangles d'ancrage du bas autour du rail arrière du siège avant. Les points d'ancrages doivent être aussi près du sol que possible, pour se faire, utiliser toujours l'encoche la plus proche pour créer un nœud coulant puis tirer fort afin de le serrer. Cette opération doit être effectuée des deux côtés du siège pour créer deux points d'ancrage.
- 10 Lorsque vous installez le Minikid sur le siège avant, les sangles d'ancrage du bas doivent être attachées à l'avant des rails du siège avant.
- 11 Sortir les sangles d'attaches du siège (M) jusqu'à une longueur appropriée.
- 12 Vérifier que la marque blanche (i) est visible, si ce n'est pas le cas, croiser les sangles (ii) pour leur donner plus de longueur et ainsi voir la marque blanche.
- 13 Accrocher directement les sangles sur les points d'ancrage ou sur les sangles du bas (si vous devez les utiliser) Appuyer fort sur le côté du siège-auto (i) répéter ensuite la même opération de l'autre côté du siège-auto (ii) pour ainsi resserrer les sangles au maximum il est important d'utiliser tout le poids de son corps.
- 14 Déplier la jambe de force (P) jusqu'à son angle maximum. Appuyez sur le bouton d'extension de jambe (Q) et sortez la jambe de force jusqu'à ce qu'elle atteigne le sol.
Note: La courroie de la jambe de force peut être complètement tendue, mais ce n'est pas une obligation.

15 Il est important de faire attention à ce que la jambe de support fasse un angle supérieur à 10° avec le dos du siège-auto. Vous pouvez vérifier cela en vous assurant que la jambe de support est plus loin que la verticale qu'elle forme avec le siège.

16 Appuyer encore fortement sur les côtés en haut du siège (i)(ii) pour sécuriser les attaches, qui devraient maintenant être resserrées automatiquement.

Si vous avez installé Minikid sur le siège arrière du véhicule vous pouvez maintenant déplacer le siège avant jusqu'à une position confortable.

Note: Le dos du siège-auto peut être en contact avec le dos du siège avant, mais pas nécessairement.

Utilisation du coussin de protection contre les impacts latéraux

Bien qu'il s'agisse d'une option, nous conseillons **FORTEMENT** d'utiliser, si possible, le coussin d'impact latéral pour ajouter une protection supplémentaire en cas de collision latérale.

17 Repérez le connecteur du coussin d'impact latéral (L) sur le siège enfant le plus près du côté du véhicule (c'est-à-dire le plus près de la porte).

IMPORTANT: Vérifiez que les deux flèches triangulaires (i) sur le coussin d'impact latéral (i) pointent dans la même direction que la flèche triangulaire sur le connecteur du coussin d'impact latéral (L).

Placez la partie supérieure des deux ouvertures ovales sur le dessous du coussin d'impact latéral sur le connecteur du coussin d'impact latéral. Poussez le coussin d'impact latéral vers le côté du siège de la voiture et faites glisser le coussin d'impact latéral vers le haut dans le connecteur du coussin d'impact latéral. Vous entendrez un léger clic lorsque le coussin d'impact latéral se verrouille en place.

Pour retirer : poussez le coussin d'impact latéral vers le bas et retirez-le.

Installer l'enfant dans le siège-auto

18 Appuyer sur la manette de réglage du harnais(E) et détendre les sangles du harnais.

19 Appuyer sur le bouton rouge sur la boucle du harnais pour le détacher.

20 Installer l'enfant dans le siège, passer ses bras dans le harnais, jusqu'aux épaules, afin que toutes les sangles se rejoignent au niveau de son ventre.

21 Relier les deux embouts des sangles du harnais et insérez les dans la boucle.

22 Tirer sur la sangle d'ajustement du harnais (F). Il est important de toujours tirer sur la manette de réglages lorsque les sangles sont droites et au milieu. En tirant sur la manette l'appui tête va automatiquement descendre à la hauteur appropriée.

Loquet de sécurité sur l'appui tête

23 L'appui tête sur votre Minikid est équipé d'un loquet de sécurité. Cela peut être utilisé pour fixer l'appui tête dans une position. Pour activer ce loquet de sécurité, tirer sur le harnais jusqu'à ce que l'appui tête soit à la hauteur désirée, vous entendrez un " clic" lorsque la position sera sécurisée, assurez vous que l'appui tête ne peut pas redescendre. Activer le loquet de sécurité (H) en le tournant vers la droite.

ATTENTION: ne pas tirer sur l'appui tête lorsque le loquet de sécurité est activé

Retrait et mise en place des housses

AVERTISSEMENT: N'utilisez jamais le dispositif de retenue pour enfant sans ses housses. Les housses sont une partie intégrante de la sécurité.

- 24 Retirez le coussin d'impact latéral (I) s'il est attaché et assurez-vous que le levier de frein de l'appui-tête (H) est déverrouillé en le tournant vers la gauche.
- 25 Appuyez sur la manette de réglage du harnais (E) et détendez les sangles du harnais.
Note : Si l'appui-tête ne monte pas, vérifiez que le levier de frein de l'appui-tête (H) est déverrouillé. Une fois l'appui-tête monté, il est plus facile de retirer sa housse.
- 26 Repérez les boucles élastiques (i). Travaillez sur une boucle à la fois, placez votre index dans la boucle et remontez jusqu'à l'endroit où la boucle est attachée sur l'appui-tête à l'aide d'un crochet (II). Retirez avec précaution les boucles élastiques de chaque crochet (II).
- 27 Ouvrez les deux fermetures à glissière sur l'appui-tête (une sur le dessous du côté droit de l'appui-tête (i) et une à l'arrière (II)).

En procédant depuis la droite, retirez avec précaution la housse de l'appui-tête. Une fois la housse de l'appui-tête retirée, abaissez à nouveau l'appui-tête et verrouillez-le en position. Cela aidera au retrait de la housse du siège.

- 28 Appuyez sur le bouton rouge de libération du harnais sur la boucle pour détacher le harnais et enlever le coussin d'entrejambe.
- 29 Ouvrez les trois fermetures à glissière de la housse du siège (une de chaque côté à l'avant de la housse (i) et une à l'arrière de la housse (II)). Veillez à ouvrir complètement les fermetures à glissière de chaque côté de la housse avant (i).
- 30 Ouvrez tous les boutons pression (i), (II), (III).
- 31 Libérez et retirez la bande en plastique (i) le long de l'avant du dispositif de retenue pour enfant.
IMPORTANT ! Veillez à ne tirer que la bande en plastique, **NE TIREZ PAS** sur le tissu. Retirez avec précaution la housse du siège d'autour le boîtier de réglage du harnais (II).

IMPORTANT ! Enteposez la bande en plastique dans un lieu sûr afin de pouvoir l'utiliser à nouveau pour remettre la housse en place. Si vous perdez la bande en plastique, vous devez contacter votre détaillant pour la remplacer.

32 Retirez avec précaution la tige en plastique (i) maintenant le tissu du dossier sur le siège. Tirez le tissu du dossier du siège vers l'avant et faites passer la sangle d'entrejambe à travers le tissu de la base du siège. Vous pouvez maintenant, en commençant par le haut de la housse du siège, retirer avec précaution la housse du siège en ouvrant les languettes Velcro® au fur et à mesure.

Pour remettre la housse en place, inversez les étapes ci-dessus en veillant à ce que le harnais et les épaulières soient correctement acheminés.

Entretien et maintenance

La housse du siège est amovible et peut être lavée en machine à 30 degrés en cycle court. Ne pas mettre la housse au sèche-linge cela pourrait abîmer le tissu et le rembourrage. Sur www.axkid.com vous pourrez trouver des vidéos vous expliquant comment enlever et remettre la housse.

Toutes les parties en plastique de Minikid peuvent être nettoyées avec de l'eau et du savon doux. Ne pas utiliser des produits chimiques abrasifs contenant des solvants etc. car cela peut causer des dommages sur le plastique et compromettre la sécurité du siège-auto.

Tous les matériaux du Minikid sont recyclables et devront être recyclés selon votre législation locale. Pour plus d'informations sur le recyclage de ce produit, demandez conseil à votre centre de tri.

Ne pas modifier ou altérer le siège-auto Minikid. Suivez les instructions du manuel avec intérêt. Toutes les réparations devront être effectuées par le fabricant ou par un agent.

Si le siège a besoin d'être réparé, assurez-vous qu'uniquement des produits originaux Axkid sont utilisés. Si d'autres produits sont utilisés le système de sécurité du Minikid pourrait être compromis et pourrait amener à de grave blessure voir la mort en cas d'accident.

Tous les matériaux utilisés ont une haute résistance aux rayons UV, cependant les rayons étant très agressifs il se peut qu'ils fassent déteindre le tissu, ceci n'est pas couvert par la garantie et est considéré comme l'usure normale du produit.

Garantie

Le Minikid est garantie 24 mois à partir de la date d'achat. Assurez-vous de garder la facture et si besoin, rapporter là ou vous avez acheté le produit si jamais vous avez un problème couvert par la garantie.

La garantie ne couvre pas:

- * l'usure normale
- * les dommages causés par un usage incorrecte, négligent ou par un accident
- * si des réparations ont été effectuées par une 3ème partie

Axkid Minikid

Bakovervendt 0–25 kg, med sikkerhetsbelte og fester

Bruksanvisning

Viktig informasjon

Les denne bruksanvisningen før du monterer barnesetet Minikid i bilen. Du finner mer informasjon og monteringsvideoer på www.axkid.com.

Takk for at du valgte et barnesete fra Axkid. Vi har mer enn 30 års erfaring med sikkerhet for barn, og vi har gjort vårt ytterste for å gjøre barnesetet Minikid så trygt som mulig. Barnesetet Minikid er godkjent i samsvar med ECE R44/04, de nyeste europeiske standardene for barnesikkerhet. For å gi barnet maksimal sikkerhet, er det viktig at du husker på følgende:

Les denne bruksanvisningen grundig før du monterer barnesetet Minikid. Hvis du er i tvil, kan du kontakte forhandleren for å få en demonstrasjon av riktig montering. Feil montering kan være farlig for barnet.

Axkid anbefaler at det alltid brukes barnesete til barnet er stort nok til å kunne sitte uten. Axkid anbefaler ikke at Minikid 0–25 kg brukes for spedbarn, siden mindre barn trenger bedre støtte og beskyttelse de første månedene.

Ikke bruk barnesetet i et sete hvor det finnes aktive kollisjonsputer. Hvis du likevel ønsker å montere Minikid i slike seter, må kollisjonsputen deaktiveres av et godkjent verksted. Enkelte biler har en bryter slik at du kan deaktivere kollisjonsputen manuelt. Kontroller alltid bilens dashboard, som viser at kollisjonsputen er deaktivert.

Omfattende forskning har vist at risikoen for alvorlige skader eller dødsfall er fem ganger større for et lite barn som sitter i et forovervendt barnesete sammenlignet med et bakovervendt barnesete. I Minikid kan barnet sitte bakovervendt til det er 25 kg.

Bruk alltid støttebeinet når du monterer Minikid. Støttebeinet er en viktig sikkerhetsfunksjon som er designet for å gi barnet maksimal sikkerhet i en ulykke.

Hvis du blir utsatt for en ulykke, uansett hvor alvorlig den er, skal barnesetet byttes. Det kan ha fått skader som ikke kan oppdages og som kan svekke barnets sikkerhet. Derfor anbefaler ikke Axkid at du kjøper brukt barnesete.

Ikke la barnet sitte uten tilsyn i bilen.

Påse at all bagasje og løse gjenstander er sikret i bilen, siden de kan skade passasjerer i en kollisjon.

Innhold

Barnesetet Minikid er egnet for barn fra rundt seks måneder, eller fra barnet kan sitte uten støtter, og opp til seks år. Barnesetet skal **KUN** monteres bakovervendt.

Deler	81
Tillatt og forbudt plassering av barnesetet	81-82
Bakovervendt 0–25 kg, med sikkerhetsbelte og fester	82-85
Bilsetet kan brukes av barn mellom 0 og 25 kg.	
Fjerne og feste trekkene	85
Vedlikehold	86
Garanti	86

Deler

A	Nakkestøtte	J	Hæler
B	Integrert sikkerhetsbelte	K	Vertikalt spor
C	Beltespenne	L	Kobling for polstring for sidestøt
D	Spor til bilbelte	M	Festestropper
E	Knapp for å justere sikkerhetssele	N	Beltelås
F	Stropp til å justere sikkerhetssele	O	-
G	Spak til å justere ryggvinkel	P	Støttebein
H	Bremsepedal for nakkestøtte	Q	Knapp for å forlenge støttebein
I	Polstring for sidestøt	R	Nedre festestropper (x 2)

Tillatt og forbudt plassering av barnesetet

1 Barnesetet kan brukes i alle forovervendte passasjer seter med trepunkts sikkerhetsbelte (i), forutsatt at det ikke finnes en aktiv kollisjonspute der. Barnesetet skal ikke brukes med topunkts sikkerhetsbelte (ii).

VIKTIG: Hvis du skal montere Minikid på et sted hvor det er kollisjonspute, må kollisjonsputen deaktiveres hos et godkjent verksted. Enkelte biler har en bryter slik at du kan deaktivere kollisjonsputen manuelt. Kontroller alltid bilens dashboard, som viser at kollisjonsputen er deaktivert.

ADVARSEL: Må aldri brukes på et sete som har en aktiv kollisjonspute

ADVARSEL: Må aldri brukes på bakovervendte eller sidevendte seter

ADVARSEL: Kollisjonsputer er utformet for voksne og kan føre til alvorlige skader på barnet ved en kollisjon

Tillatt og forbudt plassering av barnesetet.

Passasjer sete foran (uten aktiv kollisjonspute)	Ja
Passasjer sete foran (med aktiv kollisjonspute)	NEI
Fremovervendt sete med trepunkts sikkerhetsbelte	Ja
Sete med topunkts sikkerhetsbelte	NEI
Sidevendt sete	NEI
Bakovervendt sete	NEI



Barnesetet må aldri brukes i en bil som ikke er utstyrt med ECE Reg 16-godkjent trepunkts sikkerhetsbelte.

Bakovervendt 0–25 kg med sikkerhetsbelte og fester

Plassere barnesetet

- 2 Den enkleste måten å løfte Minikid inn i bilen på, er med ryggen først. Plasser barnesetet i bilen med ryggen vendt mot bilens front.
- 3 Hælene (J) skal plasseres over kanten på bilens sete. Hælens vertikale spor (K) skal stå på linje vertikalt med enden av bilens sete. Hvis du monterer barnesetet i en liten bil, eller hvis barnet ikke trenger ekstra beinplass, kan du isteden plassere hælen på bilens sete. Det gir også en mer tilbaketilt posisjon.

Merk: Når du monterer Minikid i forsetet, er det mulig, men ikke avgjørende, at ryggen på barnesetet kommer i kontakt med dashbordet.

- 4 For å justere vinkelen på barnesetet, trykker du ned spaken (G) for å velge en av de fem vinklene. Du må alltid velge den mest oppreiste stillingen, men barnet må klare å holde hodet sitt oppe, og vinkelen skal være stor nok til at barnets hode ikke faller fremover når det sover. Tommelfingerregelen er at jo eldre barnet er, desto mer rett skal ryggen på barnesetet være. Når du har montert Minikid, vil barnesetet være litt mer tilbaketilt, siden det synker ned i bilens sete når sikkerhetsbelter og festestropper strammes.



Barnesetet må aldri monteres i et sete hvor det finnes en aktiv kollisjonspute.



Feste bilens sikkerhetsbelte

- 5 Åpne låseklipsene (N) på begge sider av barnesetet. Trekk ut sikkerhetsbeltet helt til midjedelen er minst 70–80 cm. Mat sikkerhetsbeltet gjennom sporet (D) mellom setetrekket og setet til beltet kommer ut gjennom sporet på den andre siden. Hvis du foretrekker det, kan du isteden mate sikkerhetsbeltet gjennom sporet (D), over trekket for sikkerhetsbeltet og deretter gjennom sporet på den andre siden.
- 6 Før enden av sikkerhetsbeltet inn i bilens spenne. Trekk i sikkerhetsbeltet slik at det ligger stramt. Fest både midje- og skulderbeltet i låsen nærmest bilsetets spenne.
- 7 I låsen på motsatt side er det kun midjebeltet som skal festes.

Montere festestroppene

Enkelte biler leveres med festepunkter på forsetets skinner eller, ved montering i passasjeret, foran setet.

- 8 Hvis bilen ikke har slike festepunkter, må de medfølgende nedre festestroppene brukes.
- 9 For montering i baksetet må du mate enden av festestroppen gjennom enten den bakre delen av forsetets skinner eller hengeselet på forsetet. Festepunktene må være så nærme gulvet som mulig. Når du gjør dette, skal du alltid føre spennen for festestroppen gjennom nærmeste tilgjengelige spor i stroppeen slik at det oppstår en knute. Deretter må du stramme godt til. Dette må gjentas på begge sider for å skape to festepunkter.
- 10 Når du monterer Minikid i passasjeret foran, skal de nedre festestroppene festes til de fremre skinnene slik at festepunktene blir langs fremre kant av passasjeret.
- 11 Trekk ut den øvre festestroppen fra huset (M), til egnet lengde.
- 12 Kontroller at den hvite merkingen på stroppeen (i) er synlig. Hvis ikke, kan du forsøke å krysse stroppeene over (ii) for å gi dem litt ekstra lengde slik at den hvite merkingen blir synlig.
- 13 Fest festene direkte til bilens festepunkter (eller de nedre festestroppene, hvis du har brukt dem). Trykk hardt ned på toppen av den ene siden (i) av barnesetet, og gjenta dette på den andre siden (ii). Når du gjør dette, er det viktig at du bruker hele kroppsvekten din slik at stroppeene blir stramme. Dette er den første strammingen av festestroppene.
- 14 Brett ut støttebeinet (P) til maksimal vinkel. Trykk på knappen for å forlenge støttebeinet (Q), og forleng det til støttebeinet kommer i kontakt med gulvet.
Merk: Støttebeinbeltet kan strammes helt, men det er ikke nødvendig.

15 Kontroller at støttebeinet har en vinkel på mer enn 10° fra seteryggen. Dette kan du kontrollere ved å påse at støttebeinet er lengre unna setet enn den vertikale linjen.

16 Trykk ned barnesetet på hver side igjen (i) (ii). Festestroppene strammes automatisk.

Hvis du har montert Minikid i baksetet, kan du nå flytte forsetet til en behagelig posisjon.

Merk: Det kan hende at barnesetets rygg kommer i kontakt med ryggen på forsetet, men dette er ikke nødvendig.

Bruke polstring for sidestøt

Selv om det er valgfritt, anbefaler vi **PÅ DET STERKESTE** at du bruker polstring for sidestøt der det er mulig. Den gir ekstra beskyttelse ved sidekollisjoner.

Finn festet for polstring for sidestøt (L) på barnsetet nærmest bilens side (altså nærmest døren).

VIKTIG: Påse at de to trekantede pilene (i) på polstringen for sidestøt (l) peker i samme retning som pilen på festet for polstring for sidestøt (L).

17 Plasser den øvre av de to ovale åpningene på undersiden av polstringen for sidestøt, over festet for polstring for sidestøt. Skyv polstringen for sidestøt mot siden av barnesetet, og før polstringen opp på festet på siden. Du føler et lite klikk når polstringen festes.

For å fjerne: Skyv polstringen for sidestøt nedover, og fjern den.

Plassere barnet i setet

18 Trykk på knappen for å justere sikkerhetssele (E), og trekk skulderstroppene (ikke skulderpolstringen) fremover slik at selet løsnes helt.

19 Trykk på den røde utløserknappen på spennen, og løsne selet.

20 Plasser barnet i barnesetet. Legg barnets armer mellom skulderstroppene slik at stroppene henger over bryst og mage.

21 Trekk skulderstroppene sammen, og før tungene inn i spennen i skrittet.

22 Trekk i stroppe for å justere sikkerhetssele (F). Det er viktig at du alltid trekker selet rett, fra midten, når du strammer den. Det strammer selet, og nakkestøtten glir automatisk til riktig høyde.

Bremse for nakkestøtte

- 23 Nakkestøtten på din Minikid er utstyrt med en bremse. Den kan brukes hvis du ønsker å ha nakkestøtten i en fast posisjon. For å aktivere bremsen, trekker du i justeringsstroppen til nakkestøtten er i ønsket høyde. Du hører et lavt klikk når nakkestøtten låses på plass. Kontroller at nakkestøtten ikke kan skyves ned, og aktiver bremsen ved å flytte spaken (H) til høyre.

ADVARSEL: Ikke trekk opp nakkestøtten mens parkeringsbremsen er aktivert.

Fjerne og feste trekkene

ADVARSEL: Barnesetet må aldri brukes uten trekk. Trekkene er en viktig sikkerhetsfunksjon.

- 24 Fjern polstringen for sidestøt (I), hvis den er montert, og påse at bremsespaken for nakkestøtten (H) ikke er låst ved å vri den til venstre.
- 25 Trykk på knappen for å justere sikkerhetssele (E), og trekk skulderstroppene (ikke skulderpolstringen) fremover slik at selet løsnes helt.
Merk: Hvis nakkestøtten ikke løftes, må du kontrollere at bremsespaken (H) ikke er låst. Når nakkestøtten er hevet, blir det enklere å fjerne nakkestøttetrekket.
- 26 Finn de elastiske hempene (i). Arbeid med én hempe om gangen. Plasser pekefingeren i hampen, og følg hampen til det punktet den er festet til nakkestøtten ved hjelp av en krok (ii). Fjern de elastiske hempene forsiktig fra hver krok (ii).
- 27 Åpne de to glidelåsene på nakkestøtten (en på undersiden av høyre side av nakkestøtten (i), og en på baksiden (ii)).

Start fra høyre, og dra trekket forsiktig av nakkestøtten. Når trekket er fjernet, kan du senke nakkestøtten og låse den igjen. Det gjør det enklere å fjerne setetrekket.

- 28 Trykk på den røde utløserknappen på spennen for å løsne selet, og fjern skrittputen.
- 29 Åpne de tre glidelåsene på setetrekket (en på hver side av fremre trekk (i) og en bak på trekket (ii)). Åpne glidelåsen på hver side av fremre trekk (i) helt.
- 30 Løsne alle trykknappene (i), (ii), (iii).
- 31 Løsne og fjern plaststripen (i) langs fronten av barnesetet. **VIKTIG!** Dra i plaststripen, **IKKE** i stoffet. Fjern setetrekket forsiktig rundt huset for selejusteringen (ii). **VIKTIG!** Oppbevar plaststripen på et trygt sted til du skal montere setetrekket igjen. Hvis du mister plaststripen, må du kjøpe en ny fra forhandleren.

- 32 Trekk forsiktig ut plaststangen (i) som holder bakre trekk til setet. Trekk ryggstoffet fremover, og mat skrittroppen gjennom stoffet på sitteputen. Nå kan du forsiktig fjerne setetrekket. Begynn øverst, og løsne alle borrelåsfester.

Bruk omvendt fremgangsmåte for å montere trekket. Påse at selen og skulderputene plasseres riktig.

Vedlikehold

Setetrekket kan fjernes og vaskes i maskin på 30 °C. Bruk et skånsomt program. Trekket må ikke tørkes i tørketrommel. Det kan skade trekket og føre til at polstringen løsner fra stoffet. På www.axkid.com finner du filmer som viser hvordan trekket bør fjernes og monteres.

Plastdeler på Minikid kan rengjøres med mild såpe og vann. Ikke bruk kraftige kjemikalier som inneholder løsemidler eller lignende, siden det kan skade platen og føre til at barnesetet ikke er like sikkert.

Alle materialer som brukes i barnesetet Minikid kan resirkuleres og bør leveres til miljøstasjon. Kontakt nærmeste miljøstasjon for å få råd om resirkulering av produktet.

Du må ikke endre eller modifisere barnesetet Minikid på andre måter enn de som beskrives i bruksanvisningen. Følg instruksjonene i denne bruksanvisningen grundig. Eventuelle reparasjoner skal utføres av produsenten eller forhandleren.

Hvis setetrekket må byttes, må du kun bruke originale produkter fra Axxkid. Hvis det brukes andre produkter, kan det føre til at Minikids sikkerhetssystem blir kompromittert, noe som kan føre til alvorlige skader eller dødsfall ved en ulykke.

Alle materialer som brukes, er meget UV-bestandige. Men UV-lys er svært aggressivt, og vil til slutt føre til at setetrekket blenker. Dette dekkes ikke av garantien, siden det anses som normal slitasje.

Garanti

Barnesetet Minikid leveres med 24 måneders garanti fra kjøpsdato. Ta vare på kvitteringen, og ta den med til forhandleren hvis du har garantispørsmål.

Garantien dekker ikke:

- * Normal slitasje
- * Skader som skyldes feil bruk, forsømmelser eller ulykker
- * Reparasjoner som er utført av tredjepart

Axkid Minikid

Selkä menosuuntaan kiinnitys turvavöillä ja kiinnitysvöillä 0-25 kg

Käyttöohje

Tärkeää tietoa

Lue nämä käyttöohjeet ennen kuin asennat Minikid-turvaistuimen autoon. Lisätietoja ja asennusvideoita osoitteessa www.axkid.com.

Kiitos, että valitsit Axkid-turvaistuimen. Työryhmällämme on yli 30 vuotta kokemusta lasten turvallisuustuotteiden valmistuksesta, ja me olemme tehneet kaikkemme tehdäksemme Minikid-istuimesta niin turvallisen kuin mahdollista. Minikid-turvaistuin on hyväksytty viimeisimpiä eurooppalaisia turvallisuussäädöksiä noudattavan ECE R/44 04-sertifikaatin mukaan. Lapsesi turvallisuuden maksimoimiseksi on tärkeää huomioida seuraavat asiat:

Lue nämä käyttöohjeet huolellisesti, ennen kuin asennat Minikid-turvaistuimen. Jos epäröit, ota yhteyttä jälleenmyyjään, joka voi näyttää oikean asennustavan. Väärin asennettu istuin voi asettaa lapsesi vaaraan.

Axkid suosittelee käyttämään turvakaukaloa kunnes lapsi osaa itse istua ilman tukea. Axkid ei suosittele Minikid 0-25 kg käyttöä vastasyntyneelle, koska pienet vauvat tarvitsevat enemmän tukea ja suojaa parin ensimmäisen elinkuukauden aikana.

Älä käytä turvaistuinta penkillä, jossa on kytketty turvatyyny. Jos haluat silti kiinnittää Minikidin tälle penkille, turvatyyny on kytkettävä pois valtuutetussa huoltoliikkeessä. Joissain autoissa voi olla avain, jolla turvatyynyn voi manuaalisesti kytkeä pois päältä. Varmista auton merkivalosta, onko turvatyyny kytketty pois päältä.

Pidä lapsesi selkä menosuuntaan niin pitkään kuin mahdollista. Tutkimusten mukaan kohtalokkaan onnettomuuden riski on viisinkertainen, jos lapsesi istuu kasvot menosuuntaan. Minikid-istuimessa lapsesi voi istua selkä menosuuntaan aina 25 kiloon asti.

Käytä aina tukijalkaa, kun asennat Minikid-istuimen. Tukijalka on istuimessa erittäin tärkeä turvallisuustekijä, ja se on suunniteltu nimenomaan lapsesi turvallisuutta ajatellen.

Turvaistuin on aina vaihdettava uuteen mahdollisen auto-onnettomuuden sattuessa, vaikka onnettomuus olisikin pieni. Pienikin onnettomuus saattaa vaurioittaa istuinta ja vaikuttaa lapsesi turvallisuuteen. Tästä syystä Axkid ei suosittele käytetyn turvaistuimen ostamista.

Älä koskaan jätä lastasi vartioimatta autoon.

Varmista, että kaikki matkatavarat tai irralliset esineet on kiinnitetty autossa, koska ne voivat aiheuttaa törmäystilanteessa vammoja matkustajille.

Sisältö

Minikid-istuinta on mahdollista käyttää, kun lapsesi on vähintään kuuden kuukauden ikäinen tai kun hän kykenee istumaan ilman tukea ja aina kuuteen ikävuoteen asti. Tämän turvaistuimen voi asentaa **VAIN** selkä menosuuntaan.

Osat	88
Turvaistuimen sallittu ja kielletty sijoittaminen	
Selkä menosuuntaan kiinnitys auton turvavöillä ja kiinnitysvöillä 0-25 kg	88-92
Tätä istuinta voidaan käyttää lapsilla, joiden paino on 0-25 kg	
Päällysteiden irrottaminen ja kiinnittäminen	92
Hoito-ohjeet	93
Takuu	93

Osat

A	Pääntuki	J	Korokepalat
B	Istuimen valjaat	K	Pystysuoralinja
C	Valjaiden lukko	L	Sivutörmäyssuojan liitin
D	Turvavyön paikka	M	Kiinnitysvyöt
E	Valjaiden säätöpainike	N	Vyön lukkolaite
F	Valjaiden säätövipu	O	-
G	Kallistuksen säätövipu	P	Tukijalka
H	Pääntuen säätövipu	Q	Tukijalan säätöpainike
I	Sivutörmäyssuoja	R	Alemmat ankkurivyöt (x2)

Turvaistuimen sallittu ja kielletty sijoittaminen

1 Turvaistuinta voi käyttää kaikissa katse menosuuntaan olevissa auton penkeissä, joissa on 3-pisteturvavö (i), jos turvatyyny ei ole kytketty. Turvaistuinta ei voi käyttää 2-pistevyön (ii) kanssa.

TÄRKEÄÄ: Jos haluat asentaa Minikidin paikkaan, jossa on turvatyyny, turvatyynyn tulee olla kytketty pois päältä valtuutetun huoltoilijän toimesta. Joissain autoissa voi olla avain, jolla turvatyynyn voi manuaalisesti kytkeä pois päältä. Varmista auton merkivalosta, onko turvatyyny kytketty pois päältä.

VAROITUS: Älä koskaan käytä istuinta, kun turvatyyny on kytketty päälle.

VAROITUS: Älä käytä koskaan taakse tai sivulle suunnatuilla autonpenkeillä.

VAROITUS: Turvatyynyt on suunniteltu aikuisille, ja ne voivat vakavasti vahingoittaa lastasi kolarissa.

Turvaistuimen sallittu ja kielletty sijoittaminen.

Etupenkki (ei päälle kytkettyä turvatyynyä)	Kyllä
Etupenkki (päälle kytketty turvatyyny)	Ei
Eteenpäin oleva penkki, jossa on 3-pisteturvavyö	Kyllä
Penkki, jossa on 2-pisteturvavyö	Ei
Sivulle suunnattu penkki	Ei
Taaksepäin suunnattu penkki	Ei



Älä koskaan käytä tätä turvaistuinta autossa, jossa ei ole ECE Reg 16 -hyväksyttyä kolmpistevyötä.

Selkä menosuuntaan kiinnitys turvavöillä ja kiinnitysvöillä 0-25 kg

Turvaistuimen sijoittaminen

- 2 Helpoin tapa nostaa Minikid autoon on istuimen selkäpuoli edellä. Aseta turvaistuin autoon siten, että istuimen selkäpuoli osoittaa auton etuosaan.
- 3 Korokepalojen (J) pitää olla auton istuimen reunan ulkopuolella. Korokepalojen pystysuoran linjan (K) tulee olla samansuuntaisesti pystysuorassa auton penkin kanssa. Jos asennat istuinta pieneen autoon, tai jos lapsi ei tarvitse ylimääräistä jalkatilaa, voit sen sijaan sijoittaa korokepalat kokonaan auton penkille, jolloin istuin on kaltevammissa asennossa.

Huomautus: Kun asennat Minikidin etuistuimelle, turvaistuimen selkänoja saattaa nojata kojelautaan, mutta se ei ole välttämätöntä.

- 4 Voit säätää istuimen kallistuskulmaa painamalla kaltevuuden säätövipua (G) ja valita yhden viidestä kallistusasennosta. Valitse aina mahdollisimman pysty asento. Lapsen tulee kuitenkin osata itse pitää päätään pystyssä, ja istuimen tulee olla riittävän kallellaan, jotta lapsen pää ei kallistu eteenpäin hänen nukkuessaan. Nyrkkisääntönä on, että mitä vanhemmaksi lapsi kasvaa, sitä pystympään asentoon istuin voidaan asentaa. Huomaa myös, että Minikid painautuu hieman alaspäin ja kallistuu, kun se on kiinnitetty auton istuimeen turvavöitä ja kiinnitysvöitä kiristämällä.



Älä koskaan asenna turvaistuinta penkille, jossa on kytketty turvatyyny.



Kiinnitä auton turvavyö

- 5 Avaa Minikid-turvaistuimen vyölukot (N) istuimen molemmilta puolilta. Vedä turvavyötä, kunnes vyötä on ulkona vähintään 70–80 cm. Työnnä turvavyö aukkoon (D) ja vedä se istuimen päällysteen ali, kunnes se tulee ulos toisella puolella olevasta aukosta. Jos haluat, voit sen sijaan vetää vyön istuimen turvavyöaukon (D) läpi, sitten istuimen päällysteen yli ja toisella puolella olevasta turvavyöaukosta.
- 6 Aseta vyönsolki auton turvavyön lukkoon. Vedä turvavyötä, kunnes vyö on koko matkalta kireällä. Lukitse lantio- ja olkavyö lähimpänä olevaan auton turvavyölukkoon.
- 7 Vastakkaisella puolella vain lantiovyö lukitaan.

Kiinnitysvöiden kiinnittäminen

Joissain ajoneuvoissa saattaa olla ankkurointipisteitä etupenkin takaosan kiskoissa tai kun asennat istuimen etupenkille, penkin edessä.

- 8 Jos ajoneuvossa ei ole näitä ankkurointipisteitä, on käytettävä mukana toimitettuja ankkurihihnoja.
- 9 Kun asennat istuimen takapenkille, laita hihnan toinen pää joko etupenkin taakse kiskoihin tai etupenkin toiseen sopivaan kiinnityskohtaan. Ankkurointipisteen pitää olla mahdollisimman lähellä lattiaa. Sinun tulee aina vetää ankkurihihnan solki sopivan aukon läpi saadaksesi aikaan vetosolmun ja vetää se sitten tiukaksi. Toista toimenpide toisella puolella.
- 10 Kun asennat Minikidin etupenkille, alemmat ankkurihihnat tulee kiinnittää penkin kiskoihin, jotta ankkurointipisteet ovat etupenkin etureunalla.
- 11 Vedä hihna ulos rullasta (M) sopivan pituiseksi.
- 12 Tarkista, että hihnan valkoiset raidat (i) ovat näkyvissä. Jos raidat eivät näy, voit kokeilla vetää hihnoja (ii) ristiin antaaksesi niille lisää pituutta ja saadaksesi valkoiset merkinnät näkyviin.
- 13 Kiinnitä ankkuriliitännät suoraan auton ankkurointipisteisiin (tai alempiin ankkurihihnoihin, jos olet käyttänyt niitä). Paina turvaistuimen toiselta puolelta kovaa alaspäin (i) ja toista toiselta puolelta (ii). Kun teet tämän on tärkeää, että käytät koko vartalon painoa painaaksesi istuimen kunnolla alas ja jotta saat kiinnityshihnat kunnolla kiristettyä. Näin saat kiinnityshihnat kiristettyä.
- 14 Vapauta tukijalka (P) suurimpaan mahdolliseen kulmaansa. Paina jalan säätöpainikkeesta (Q) ja vedä tukijalka auki siten, että se osuu lattiaan.
Huomautus: Tukijalan vyö voi olla kokonaan kiristetty, mutta sen ei tarvitse olla.

15 Sinun on tärkeää tarkistaa, että tukijalan kulma on yli 10° penkin takaosasta. Voit tarkistaa tämän varmistamalla, että tukijalka on kauempana istuimesta kuin pystysuorasta linjasta.

16 Heiluta istuinta voimakkaasti puolelta toiselle (i) (ii), jolloin kiinnitysvyöt kiristyvät automaattisesti.

Jos olet asentanut Minikidin takapenkille, voit nyt siirtää etuistuimen mukavaan asentoon.

Huomautus: Etupenkin takaosa saattaa olla kiinni turvaistuimessa, mutta se ei ole pakollista.

Sivutörmäyssuojan käyttäminen

Suosittelemme **EHDOTTOMASTI** käyttämään sivutörmäyssuojia, vaikka se onkin vapaaehtoista. Suojat antavat kuitenkin lisäsuojaa sivukolareissa.

Turvaistuimessa oleva sivutörmäyssuojan liitin (L) sijoitetaan lähimmäksi auton ovea.

TÄRKEÄÄ: Varmista, että sivutörmäyssuojan (I) kaksi kolmiomaista nuolta (i) osoittavat samaan suuntaan kuin sivutörmäyssuojan liittimen kolmiomainen nuoli (L).

17 Aseta sivutörmäyssuojan pohjassa olevista kahdesta ovaalista aukosta ylempi sivutörmäyssuojan liittimen päälle. Työnnä sivutörmäyssuojaa istuimen reunaa vasten ja liu'uta sivutörmäyssuojaa ylöspäin sivutörmäyssuojan liittimeen. Tunnet pienen napsahduksen, kun sivutörmäyssuoja lukittuu paikalleen.

Irrottaminen: työnnä sivutörmäyssuojaa alaspäin ja irrota.

Lapsen asettaminen istuimeen

18 Paina valjaiden säätöpainiketta (E) ja vedä olkahihnoja eteenpäin (ei olkapehmusteita), jolloin valjaat löystyvät.

19 Paina lukon punaista valjaiden vapautuspainiketta ja irrota valjaat.

20 Aseta lapsi turvaistuimeen. Pujota lapsen kädet olkahihnojen alle, jolloin hihnat roikkuvat rinnan ja vatsan päällä.

21 Vedä olkahihnat yhteen ja kiinnitä valjaiden päät lapsen jalkojen välissä olevaan lukkoon.

22 Vedä valjaiden säätöhihnaa (F). Sinun on tärkeää vetää aina valjaita suoraan ja keskelle, kun kiristät säätöhihnaa. Tällöin valjaat kiristyvät ja pääntuki valuu automaattisesti sopivalle korkeudelle.

Lukittava pääntuki

23 Minikid-istuimen pääntuessa on lukitus. Tätä voidaan käyttää, jos haluat pitää pääntuen samassa asennossa. Voit lukita pääntuen vetämällä valjaiden säätöihhnaa, kunnes pääntuki on halutulla korkeudella. Kun pääntuki lukittuu paikoilleen, kuulet heikon ”napsahduksen”. Tarkista, että pääntukea ei voida vetää enempää alas ja aktivoi pääntuen lukitus vetämällä vipua (H) oikealle.

VAROITUS: Älä vedä pääntukea ylöspäin, kun se on lukittu.

Päällysteiden irrottaminen ja kiinnittäminen

VAROITUS: Älä koskaan käytä turvaistuinta ilman päällystettä. Päällyste on osa istuimen turvaominaisuutta.

24 Poista sivutörmäyssuoja (I), jos se on kiinnitetty ja varmista, että pääntuen vipu (H) on lukittu kääntämällä sitä vasemmalle.

25 Paina valjaiden säätöpainiketta (E) ja vedä olkahihnoja eteenpäin (ei olkapehmusteita), jolloin valjaat löystyvät.

Huomautus: Jos pääntuki ei nouse ylös, tarkista että pääntuen lukitusvipu (H) on auki. Kun pääntuki on nostettu ylös, sen päällyste on helpompi irrottaa.

26 Etsi joustavat silmukat (i). Irrota silmukka kerrallaan asettamalla etusormi silmukkaan kohtaan, jossa se kiinnittyy pääntukeen koukulla (ii). Irrota joustavat silmukat varovasti jokaisesta koukusta (ii).

27 Avaa pääntuen molemmat vetoketjut (toinen pääntuen oikean puolen alapuolella (i) ja toinen takana (ii)).

Aloita oikealta ja vedä päällyste varovasti pois pääntuesta. Kun pääntuen päällyste on irrotettu, laske pääntuki uudelleen alas ja lukitse se. Tämä helpottaa istuimen päällysteen irrottamista.

28 Paina lukon punaista valjaiden vapautuspainiketta irrottaaksesi valjaat ja poistaaksesi haarapehmusteen.

29 Avaa istuimen päällysteen kolme vetoketjua (yksi kummallakin puolella edessä (i) ja yksi takana (ii)). Varmista, että avaat vetoketjut edestä kummaltakin puolelta kokonaan (i).

30 Avaa kaikki painonapit (i), (ii), (iii).

31 Vapauta ja irrota muovinauha (i) turvaistuimen edestä. **TÄRKEÄÄ!** Varmista, että vedät muovinauhasta, **ÄLÄ** vedä kankaasta. Irrota päällyste varovasti valjaiden säätökotelon (ii) ympäriltä.

TÄRKEÄÄ! Pidä muovinauha tallessa siihen asti, kun laitat päällysteen takaisin paikalleen. Jos kadotat muovinauhan, ota yhteyttä jälleenmyyjään saadaksesi uuden.

Vedä varovasti muovisauvasta, (i) joka pitää istuimen selkäosan kankaan paikallaan. Vedä istuimen selkänojan kangasta eteenpäin ja vedä haararemmi kankaan läpi. Voit nyt ylhäältä alkaen alkaa varovasti irrottaa päällystettä. Varmista, että avaat kaikki tarranauhut.

Laita päällyste takaisin paikalleen seuraamalla yllä olevia vaiheita päinvastaisessa järjestyksessä. Varmista, että valjaat ja olkapehmusteet ovat oikeassa asennossa.

Hoito-ohjeet

Istuimen päällysteen voi irrottaa ja pestä pesukoneessa 30 °C:ssa käsinpesuohjelmalla. Älä laita päällystettä kuivausrumpuun, koska se saattaa vahingoittaa päällystettä ja pehmuste saattaa irrota kankaasta. Sivulla www.axkid.com on videoita, joissa on ohjeet päällysteen irrottamiseen ja takaisin laittamiseen.

Istuimen muoviosat voi puhdistaa miedolla puhdistusaineella ja vedellä. Älä käytä syövyttäviä kemikaaleja sisältäviä pesuaineita jne, koska se saattavat vahingoittaa muovia ja vaikuttaa istuimen turvallisuuteen.

Kaikki Minikid-istuimessa käytetyt materiaalit ovat kierrätettäviä, ja ne tulee kierrättää paikallisen lainsäädännön mukaisesti. Kysy paikalliselta kierrätyskeskuksestasi neuvoja tuotteen kierrättämiseen.

Älä tee mitään sellaisia säätöjä tai korjauksia Minikid-istuimeen, joita ei tässä ohjekirjassa mainita. Noudata tämän käyttöohjeen ohjeita huolellisesti. Valmistajan tai valmistajan edustajan on tehtävä kaikki korjaukset.

Jos istuimen päällyste on vaihdettava, varmista että siihen käytetään ainoastaan Axkidin alkuperäisiä tuotteita. Muutoin Minikidin turvajärjestelmä ei ehkä toimi oikein, ja lapsesi turvallisuus vaarantuu ja saattaa johtaa vakavaan vammaan tai kuolemaan onnettomuuden sattuessa.

Kaikki istuimessa käytetyt materiaalit kestävät erittäin hyvin UV-säteilyä. UV-säteily on kuitenkin erittäin voimakasta ja johtaa lopulta päällyskankaan haalistumiseen. Takuu ei kata tällaista kulumista, koska sitä pidetään normaalina kulumisena.

Takuu

Minikid-istuimella on 24 kuukauden takuu ostopäivästä alkaen. Säilytä ostokuitti ja ota se mukaan ostopaikkaan takuuasioiden hoidon yhteydessä.

Takuu ei kata:

- * normaalia kulumista
- * vahinkoa, joka on aiheutunut virheellisestä käytöstä, laiminlyönnistä tai onnettomuudesta
- * jos kolmas osapuoli on tehnyt istuimeen korjauksia

Distribution i Sverige/Norge
Axxid AB
Odinslundsgatan 17
412 66 Göteborg Sweden
www.axkid.com
info@axkid.com
Tel: (+46) 511 760 620

Distributed in the UK by
Axxid Ltd
Sanderum House, 38 Oakley Road, Chinnor,
Oxfordshire OX39 4TW,
Tel: (+44) 0781 086 7644

Distribuido en España/Portugal por: Distri-
buciones Independent Marketing S.L. Pol. La
Léala, Calle Santo Tomas, 8 29631 Arroyo
de la Miel Málaga
Tel: (+34) 902 111 881

Distribu. en France par
Axxid AB
Odinslundsgatan 17
412 66 Gothenburg Sweden
Tel (+33) 06 07 01 87 73

Vertrieb in Deutschland durch: Axxid GmbH
Birkenleiten 41
81543 München
Deutschland
Tel: +(49) 60-99 84 89 05

Dystrybucja w Polsce:
Junior
ul. Horbaczewskiego 4-6
54-130 Wrocław
Tel: +(48) 713 549 723

Distributer za Slovenijo in Hrvaško:
MiniMe d.o.o.
Tbilisjska ulica 59; 1000 Ljubljana
Slovenija
www.minime.si
info@minime.si
Tel: +(386) 41 760 900

Distributor v České republice a na Slovensku:
Domecek pro deti
Street Dlouhá 208
290 01 Podebrady České republice
Tel: +(42) 0727 981 815

Distribuitor în România:
SC Baby Car Seats SRL
Loc. Iași, Jud. Iași
www.axkid.ro
Tel: +(40) 0747 35 47 47