

Bugaboo Giraffe

IMPORTANT — READ THESE INSTRUCTIONS CAREFULLY BEFORE USE AND KEEP FOR FUTURE REFERENCE.

BELANGRIJK — LEES DEZE GEBRUIKSAANWIJZING ZORGVULDIG DOOR EN BEWAAR DEZE VOOR LATER GEBRUIK.

DŮLEŽITÉ – PŘED POUŽITÍM SI POZORNĚ PŘEČTĚTE NÁVOD A USCHOVEJTE PRO POZDĚJŠÍ NAHLÉDNUTÍ.

VIGTIGT – LÆS OMHYGGELIGT. GEM TIL FREMTIDIG BRUG.

WICHTIG – BITTE SORGFÄLTIG LESEN UND FÜR SPÄTERES NACHLESEN UNBEDINGT AUFBEWAHREN.

ΣΗΜΑΝΤΙΚΟ — ΔΙΑΒΑΣΤΕ ΑΥΤΕΣ ΤΙΣ ΟΔΗΓΙΕΣ ΠΡΟΣΕΚΤΙΚΑ ΠΡΙΝ ΑΠΟ ΤΗ ΧΡΗΣΗ ΚΑΙ ΦΥΛΑΞΤΕ ΤΕΣ ΓΙΑ ΜΕΛΛΟΝΤΙΚΗ ΑΝΑΦΟΡΑ.

IMPORTANTE – LEER LAS INSTRUCCIONES CUIDADOSAMENTE ANTES DEL USO Y MANTENERLAS PARA FUTURAS CONSULTAS.

OLULINE: ENNE TOOTE KASUTAMIST LUGEGE NEID JUHISEID HOOLIKALT JA HOIDKE NEED EDASPIDISEKS ALLES.

TÄRKEÄÄ — LUE OHJEET HUOLELLISESTI ENNEN KÄYTTÖÄ JA SÄILYTÄ NE TULEVAA KÄYTTÖÄ VARTEN.

IMPORTANT — LIRE LES INSTRUCTIONS SUIVANTES ATTENTIVEMENT AVANT UTILISATION ET LES CONSERVER POUR LES BESOINS ULTÉRIEURS DE RÉFÉRENCE.

VAŽNO — PAŽLJIVO PROČITAJTE OVE UPUTE PRIJE UPORABE I SAČUVAJTE ZA BUDUĆU UPORABU.

FONTOS - HASZNÁLAT ELŐTT FIGYELMESEN OLVASSA EL EZT A HASZNÁLATI ÚTMUTATÓT, ÉS ŐRIZZE MEG KÉSŐBBI FELHASZNÁLÁSRA.

IMPORTANTE - LEGGERE ATTENTAMENTE LE ISTRUZIONI PRIMA DELL'USO E CONSERVARLE PER RIFERIMENTO FUTURO.

SVARBU – PRIEŠ NAUDODAMI ATIDŽIAI PERSKAITYKITE ŠIAS INSTRUKCIJAS IR SAUGOKITE, KAD GALĖTUMĖTE PERŽIŪRĖTI ATEITYJE.

SVARĪGI — PIRMS LIETOŠANAS UZMANĪGI IZLASIET ŠĪS NORĀDES UN SAGLABĀJIET TURPMĀKAI UZZIŅAI.

VIKTIG – LES DISSE INSTRUKSJONENE NØYE FØR BRUK, OG OPPBEVAR DEM FOR FREMTIDIG REFERANSE.

WAŻNE — PRZED UŻYTKOWANIEM DOKŁADNIE PRZECZYTAĆ NINIEJSZĄ INSTRUKCJĘ I ZACHOWAĆ JĄ NA PRZYSZŁOŚĆ.

IMPORTANTE – LER CUIDADOSAMENTE AS INSTRUÇÕES ANTES DE USAR E GUARDÁ-LAS PARA FUTURA REFERÊNCIA.

ВАЖНО! ВНИМАТЕЛЬНО ПРОЧТИТЕ ЭТИ ИНСТРУКЦИИ ПЕРЕД ИСПОЛЬЗОВАНИЕМ И ХРАНИТЕ ИХ ДЛЯ БУДУЩЕГО ИСПОЛЬЗОВАНИЯ.

DÔLEŽITÉ - PRED POUŽITÍM SI POZORNE PREČÍTAJTE TENTO NÁVOD A UCHOVAJTE SI HO PRE ĎALŠIE POUŽITIE V BUDÚCNOSTI.

POMEMBNO – PRED UPORABO POZORNO PREBERITE NAVODILA IN JIH SHRANITE KOT NAPOTEK ZA V PRIHODNJE.

VAŽNO — PAŽLJIVO PROČITAJTE OVA UPUTSTVA PRE  
UPOTREBE I SAČUVAJTE ZA BUDUĆU REFERENCJU.

VIKTIGT – LÄS ANVISNINGARNA NOGA FÖRE  
ANVÄNDNING. SPARA DEM FÖR FRAMTIDA BRUK.

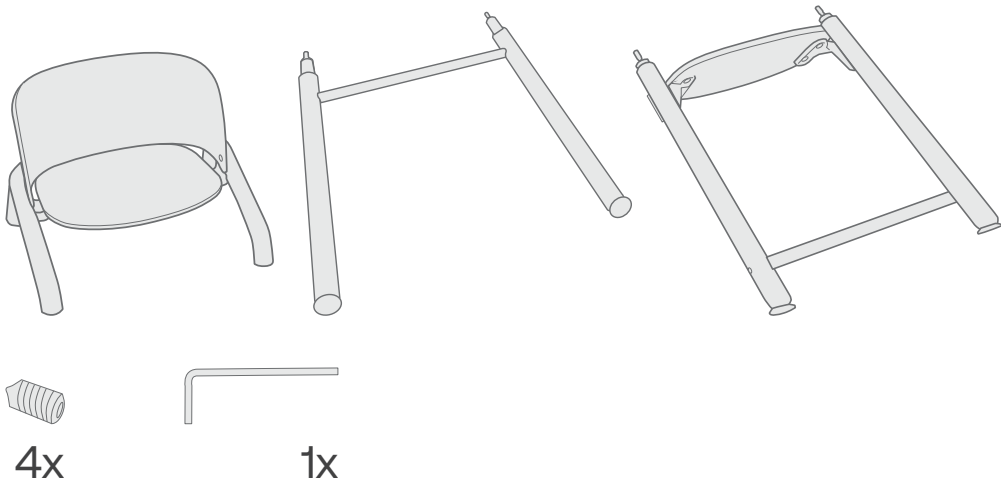
ÖNEMLİ — KULLANIMDAN ÖNCE BU TALİMATLARI  
DİKKATLİCE OKUYUN VE İLERİDE BAŞVURMAK ÜZERE  
SAKLAYIN.

חשוב - קרא הוראות אלה בעיון לפני השימוש ושמור לעיון  
עתיד.

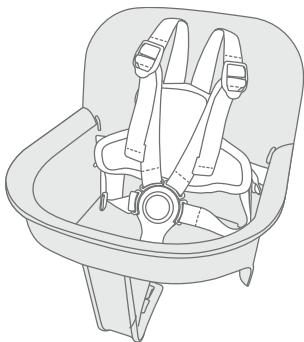


# Parts for set-up

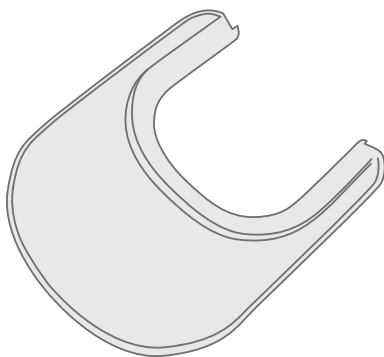
## Chair



## Baby set\*

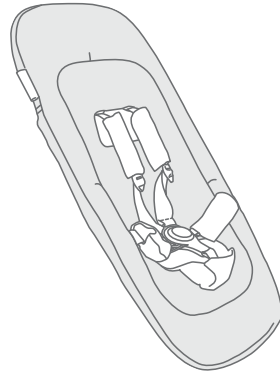
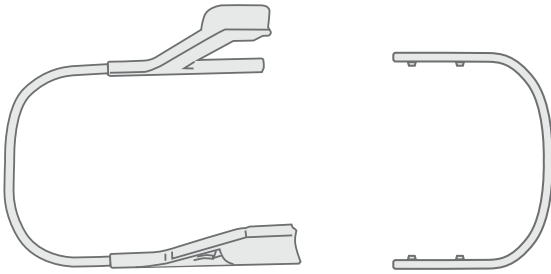


## Tray\*

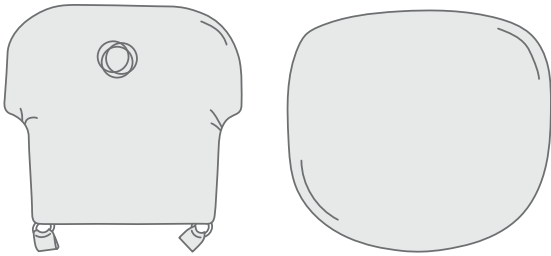


\* Sold separately where applicable.

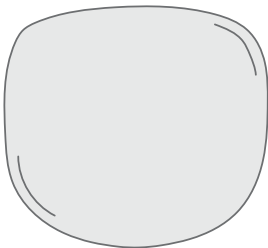
## Newborn set\*



## Baby pillow set\*



## Junior pillow\*



\* Sold separately

# Instructions – visual language



Visual check OK  
Afbeelding controle OK  
Vizuální kontrola OK  
Visuel kontrol OK  
Optische Kontrolle OK  
Οπτικός έλεγχος OK  
Comprobación visual correcta  
Visuaalne kontroll korras  
Silmävarainen tarkistus OK

Contrôle visuel OK  
Vizuálna provjera OK  
Szemrevételezéses ellenőrzés OK  
Esito positivo del controllo visivo  
Vizuali patikra gera  
PAREIZA vizuālā pārbaude  
Visuell kontroll OK  
Kontrola wzrokowa OK  
Verificação visual OK

Наружный осмотр не выявил  
неисправностей  
Vizuálna kontrola OK  
Znak 'pravilno'  
Vizuelna provera OK  
Visuell kontroll OK  
Görsel kontrol tamam  
בדיקה חזותית - עבר



Visual check wrong  
Afbeelding controle niet goed  
Vizuální kontrola - špatně  
Visuel kontrol ikke korrekt  
Optische Kontrolle falsch  
Οπτικός έλεγχος λάθος  
Comprobación visual incorrecta  
Visuaalne kontroll ei ole korras  
Silmävarainen tarkastus ei hyväksyttävä

Contrôle visuel erreur  
Pogrešna vizualna provjera  
Szemrevételezéses ellenőrzés nem OK  
Esito negativo del controllo visivo  
Vizuali patikra bloga  
Nepareiza vizuālā pārbaude  
Visuell kontroll feil  
Kontrola wzrokowa negatywna  
Verificação visual errada

Наружный осмотр выявил  
неисправность  
Chybná vizuálna kontrola  
Znak 'napačno'  
Vizuelna provera pogrešno  
Visuell kontroll fel  
Görsel kontrol yanlış  
בדיקה חזותית נכשלה



Audible click  
Hoorbare klik  
Slyšitelné cvaknutí  
Tydelig kliklyd  
Hörbares Klickgeräusch  
Clic sonoro  
Ηχητικό κλικ  
Kuuлдav klõpsatus  
Kuulet naksahduksen

Clic audible  
Zvučni klik  
Hallható kattanáś  
Scatto (clic)  
Girdimas spragtelėjimas  
Dzirdams klikšķis  
Hørbart klikk  
Słyhać kliknięcie  
Clique audível

Слышимый щелчок  
Počutelné kliknutie  
Zvučni klik  
Zvučni klik  
Hørbart klickande ljud  
Duyulabilir klik sesi  
נקישה נשמעת



Movement in the indicated  
direction  
Beweging in de aangegeven  
richting  
Pohyb v uvedeném směru  
Bevægelse i den indikerede  
retning  
Bewegung in der angegebenen  
Richtung  
Κίνηση προς την κατεύθυνση  
που υποδεικνύεται  
Movimiento en la dirección

indicada  
Liikumine näidatud suunas  
Liike osoitettuun suuntaan  
Mouvement dans le sens indiqué  
Kretanje u naznačenom smjeru  
Mozgás a jelzett irányba  
Spostamento nella direzione  
indicata  
Judėjimas nurodyta kryptimi  
Kustība norādītājā virzienā  
Bevegelse i indikert regning  
Ruch we wskazanym kierunku

Movimento na direção indicada  
движение в указанном  
направлении  
Pohyb v uvedenom smere  
Premik v označeno smer  
Kretanje u naznačenom pravcu  
Rörelse i angiven riktning  
Gösterilen yönde hareket  
矢印の方向への動作  
표시된 방향으로 이동  
按照所示方向运动  
תנועה בכיוון המצוין



When you see this symbol in the instructional part of the user guide, please refer to the warnings chapter for ensuring the safe use of the Bugaboo Giraffe.

Wanneer je op de instructiepagina's in de gebruiksaanwijzing dit symbool ziet, raadpleeg dan het hoofdstuk met waarschuwingen om er zeker van te zijn dat je de Bugaboo Giraffe veilig gebruikt.

Pokud uvidíte v instruktažní části uživatelské příručky tento symbol, podívejte se do kapitoly varování, abyste si ověřili bezpečné používání kočárku Bugaboo Giraffe.

Når du ser dette symbol i instruktionsdelen af brugervejledningen, skal du bladde om til afsnittet om advarsler for at sikre, at du anvender Bugaboo Giraffekorrekt.

Wenn Sie dieses Symbol in der Bedienungsanleitung sehen, lesen Sie bitte den Abschnitt mit den Warnhinweisen, um die sichere Nutzung des Bugaboo Giraffesicherzustellen.

Όταν βλέπετε αυτό το σύμβολο στο τμήμα οδηγιών των οδηγιών χρήσης, παρακαλούμε ανατρέξτε στο κεφάλαιο προειδοποιήσεων για τη διασφάλιση της ασφαλούς χρήσης του Bugaboo Giraffe.

Cuando veas este símbolo en las instrucciones de la guía del usuario, consulta el capítulo de advertencias para garantizar un uso seguro del Bugaboo Giraffe.

Kui näete seda sümbolit kasutusjuhendi juhendavas osas, vaadake hoiatuste peatükki Bugaboo Giraffe ohutu kasutamise tagamiseks.

Tämä symboli ilmaisee käyttöoppaan ohjeosassa vaaraa. Katso lisätietoja varoituksia sisältävästä luvusta ja varmista, että käytät Bugaboo Giraffeturvallisesti.

Lorsque vous apercevez ce symbole dans les instructions du mode d'emploi, veuillez vous référer au chapitre sur les avertissements pour garantir une utilisation en toute sécurité de la Bugaboo Giraffe.

Kada vidite ovaj simbol u nastavnom dijelu korisničkog vodiča, pogledajte poglavlje upozorenja kako biste osigurali sigurnu uporabu Bugaboo Giraffe.

Ha ezt a szimbólumot látja a használati útmutató útmutatójában, kérjük, olvassa el a figyelmeztetések fejezetet a Bugaboo Giraffe biztonságos használatának biztosítása érdekében.

Quando vedi questo simbolo nelle istruzioni della guida all'uso, fai riferimento al capitolo relativo alle avvertenze per informazioni su come usare Bugaboo Giraffe in modo sicuro.

Pamatę šj simbolj naudotojo vadovo instrukcijų dalyje, skaitykite įspėjimų skyrių, kad užtikrintumėte saugų "Bugaboo Giraffe" naudojimą.

Kad redzat šo simbolu lietotāja rokasgrāmatas norādījumū daļā, lūdzu, skatiet brīdinājumu nodaļu, lai nodrošinātu drošu Bugaboo Giraffe lietošanu.

Når du ser dette symbolet i instruksjonsdelen av bruksanvisningen, kan du se kapitlet om advarsler for å sikre at du bruker Bugaboo Giraffepå en trygg måte.

Jeśli widzisz ten symbol w instruktażowej części przewodnika, przejdź do rozdziału z ostrzeżeniami. Dzięki temu zyskasz pewność, że korzystasz z wózka Bugaboo Giraffe w bezpieczny sposób.

Quando vir este símbolo nas instruções do guia do utilizador, consulte o capítulo de avisos para garantir que utiliza o Bugaboo Giraffe de uma forma segura.

Когда вы увидите этот символ в инструкционной части руководства пользователя, см. главу с предупреждениями, чтобы обеспечить безопасное использование коляски Bugaboo Giraffe.

Keď uvidíte tento symbol v inštruktážnej časti používateľskej príručky, prečítajte si kapitolu s upozoreniami, aby ste zaistili bezpečné používanie Bugaboo Giraffe.

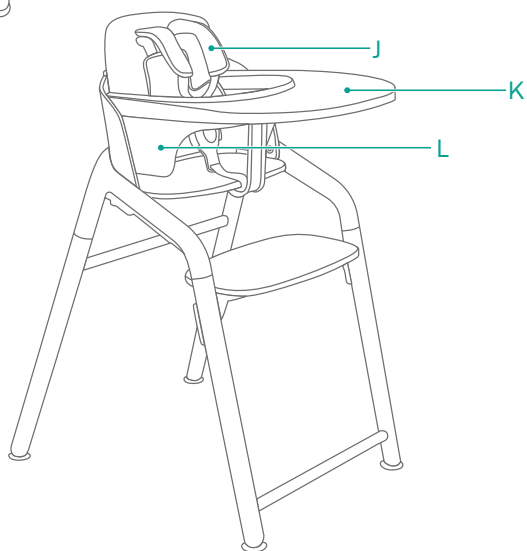
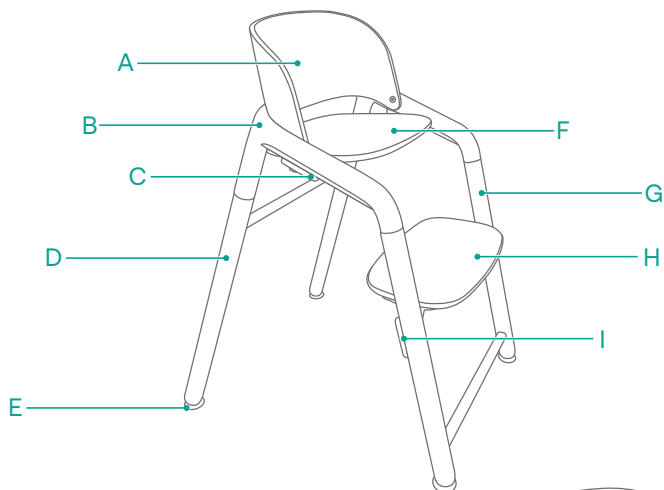
Če v navodilih v priročniku za uporabnike vidite ta znak, preberite poglavje z opozorili, kjer so navodila za varno uporabo vozička Bugaboo Giraffe.

Kada vidite ovaj simbol u poučnom delu korisničkog vodiča, pogledajte poglavlje upozorenja za obezbeđivanje bezbedne upotrebe Bugaboo Giraffe.

Om du ser den här symbolen i anvisningarna i användarhandboken ska du titta i varningskapitlet så att du använder Bugaboo Giraffe säkert.

Kullanıcı kılavuzunun açıklamalar kısmında bu simgeyi gördüğünüzde, Bugaboo Giraffe'in güvenli kullanımını sağlamak için, lütfen uyarılar bölümüne başvurun.

כאשר אתה רואה את הסמל הזה בחלק ההוראות במדריך למשתמש, עיין בפרק האזהרות כדי לוודא שימוש בטוח ב-Bugaboo Giraffe.



Product depicted may not be exactly the same in all regions

- EN**
- A. Backrest
  - B. Frame
  - C. Adjustment buttons
  - D. Seat
  - E. Rear legs
  - F. Feet
  - G. Seat
  - H. Front legs
  - I. Footrest
  - J. Adjustment buttons
  - K. Baby set harness
  - L. Tray
  - M. Baby set

- ES**
- A. Respaldo
  - B. Estructura
  - C. Botones de ajuste
  - D. Silla
  - E. Patas traseras
  - F. Patas
  - G. Silla
  - H. Patas delanteras
  - I. Reposapiés
  - J. Botones de ajuste
  - K. Pack de arnés para bebé
  - L. Bandeja
  - M. Pack de bebé

- FR**
- A. Dossier
  - B. Cadre
  - C. Bouton de réglage
  - D. Siège
  - E. Pieds arrière
  - F. Pieds
  - G. Siège
  - H. Pieds avant
  - I. Repose-pied
  - J. Bouton de réglage
  - K. Harnais du kit bébé
  - L. Tablette
  - M. Kit pour bébé

# Set-up



10



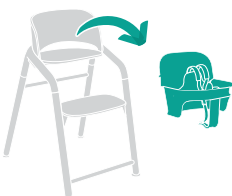
12



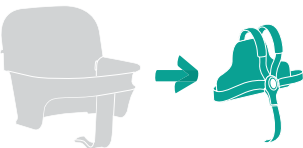
13



14



14



15



16

# Accessories\*

\*Sold separately



..... 17



..... 18



..... 19



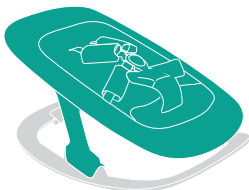
..... 20



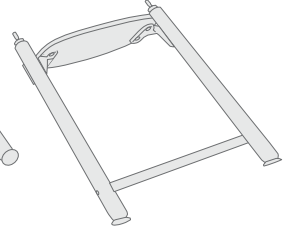
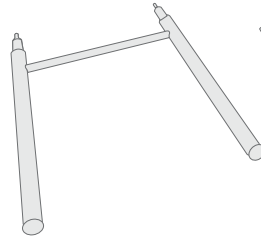
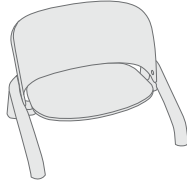
..... 20



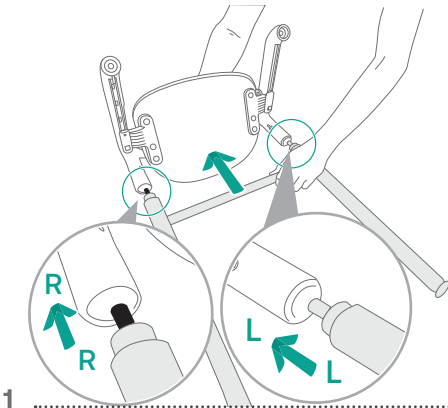
..... 22



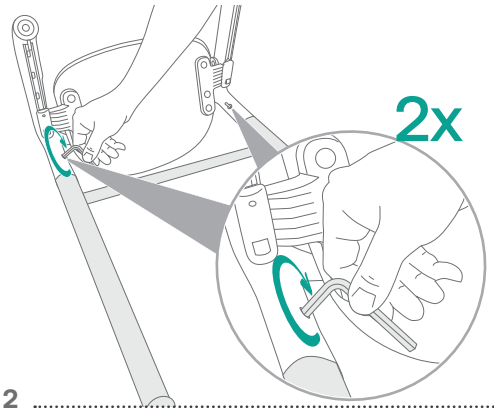
..... 23



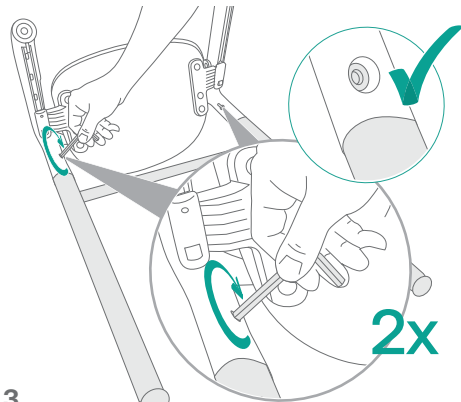
4x



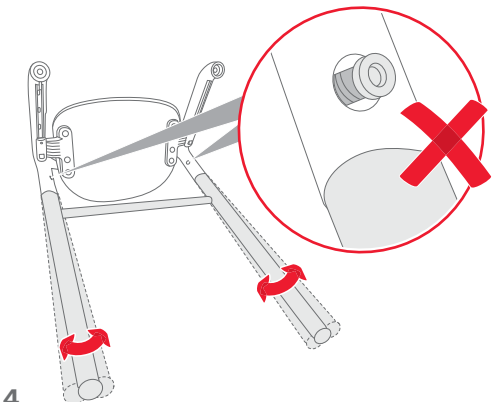
1



2

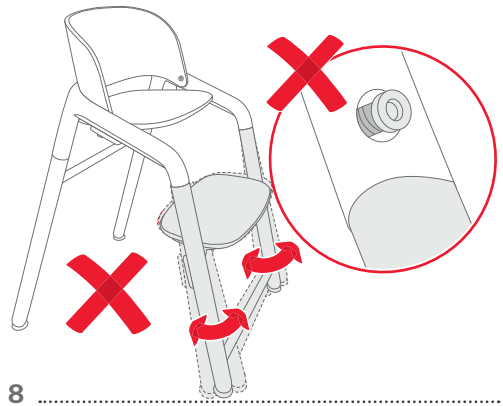
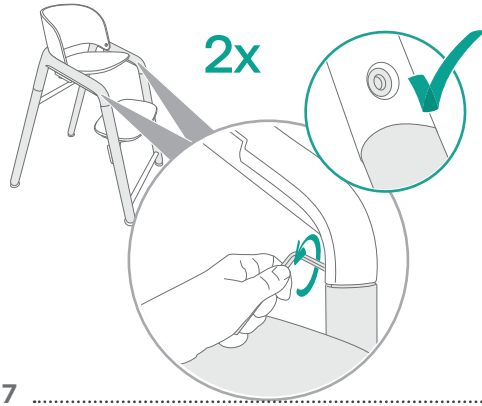
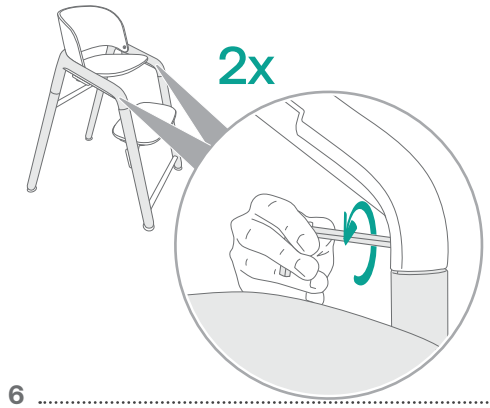
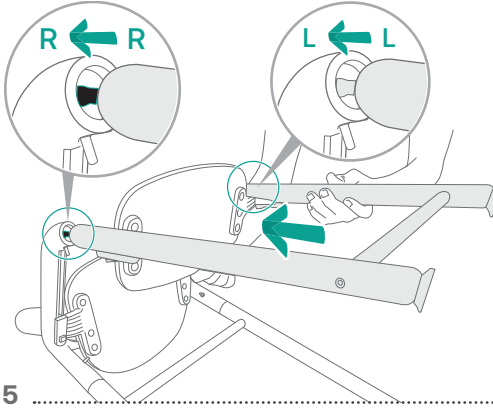


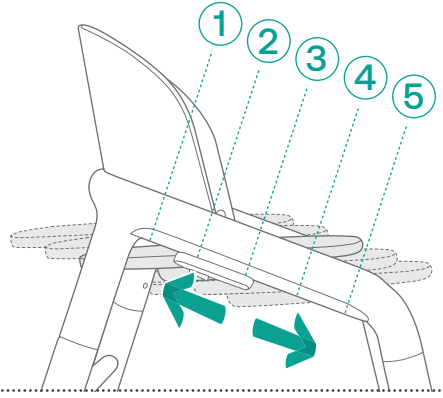
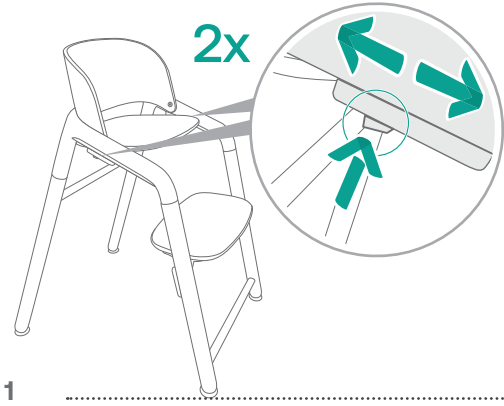
3



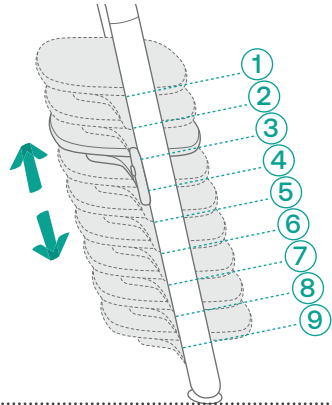
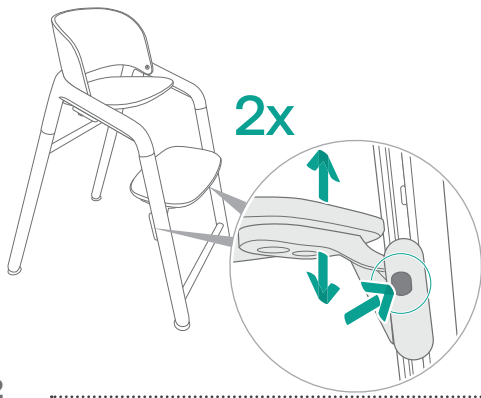
4







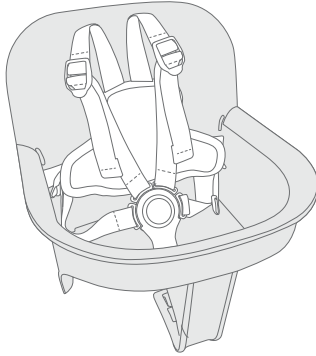
1



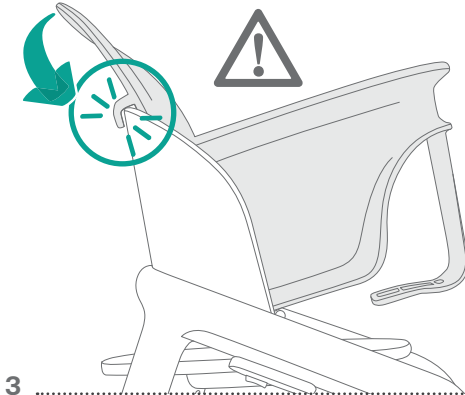
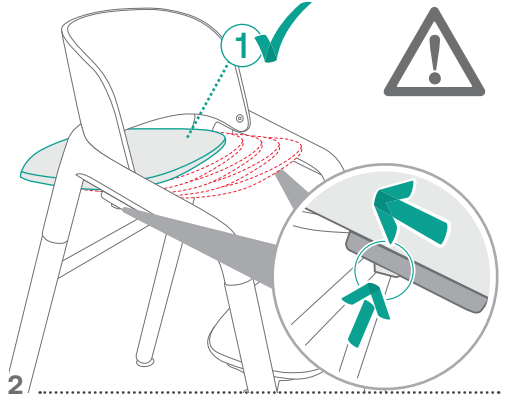
2



1



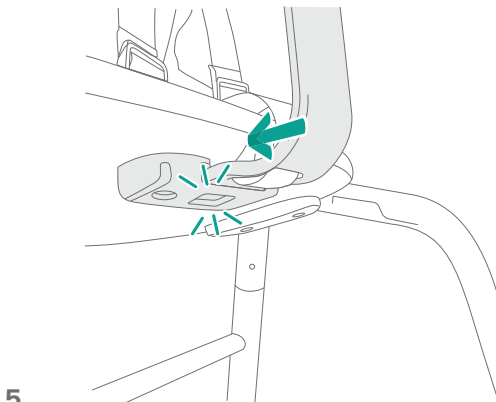
2



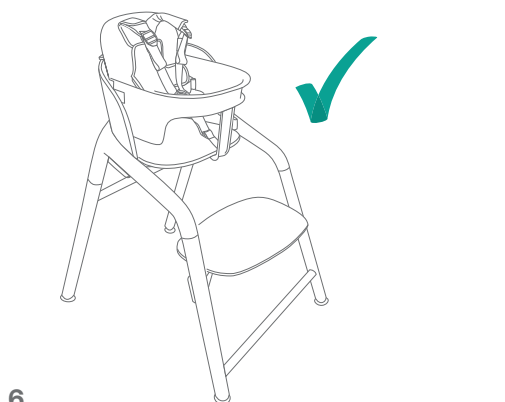
3



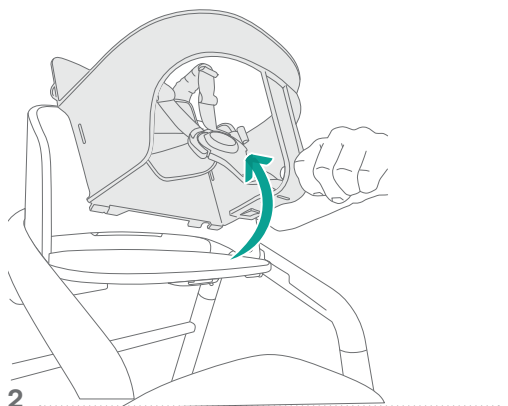
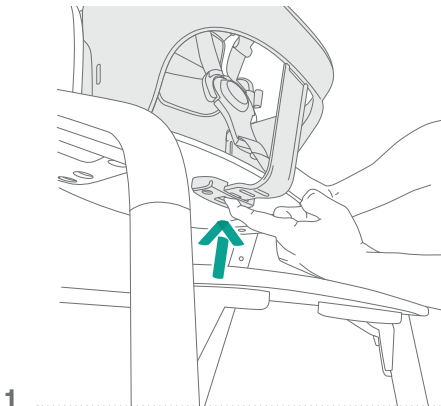
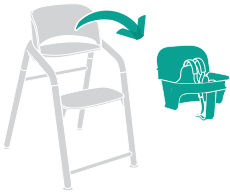
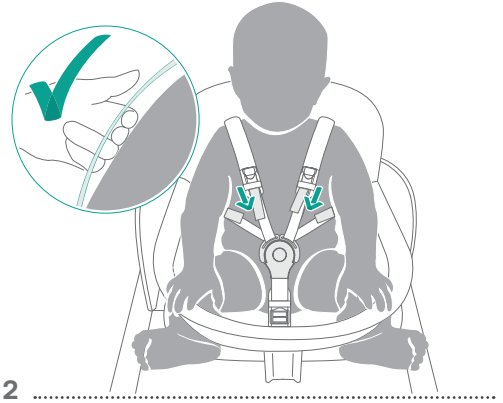
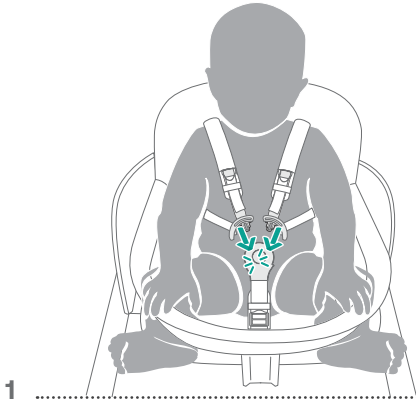
4

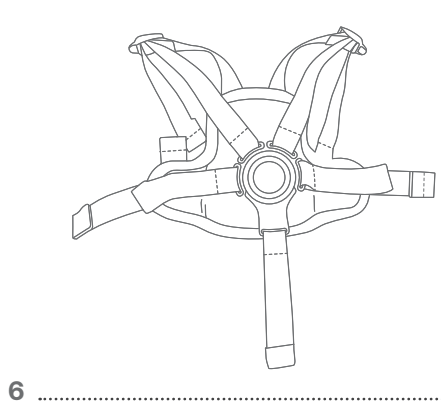
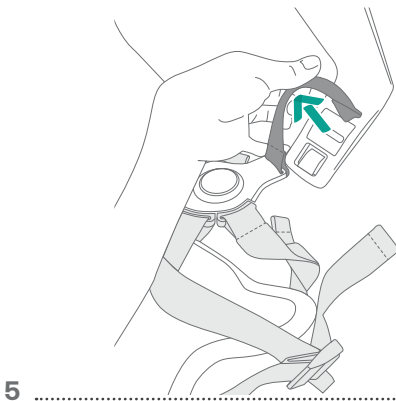
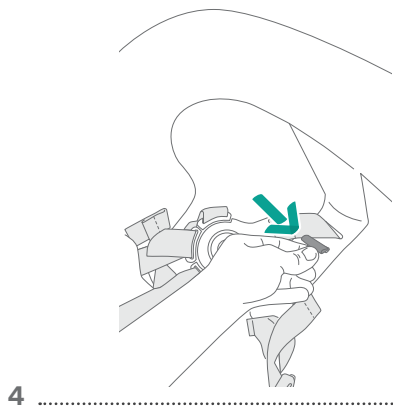
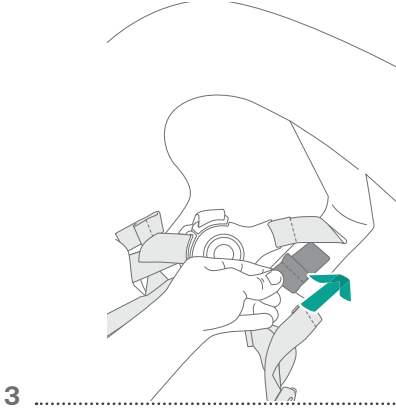
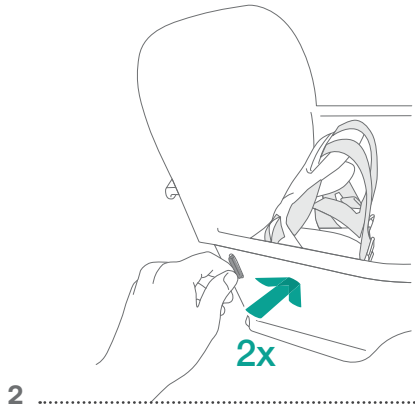
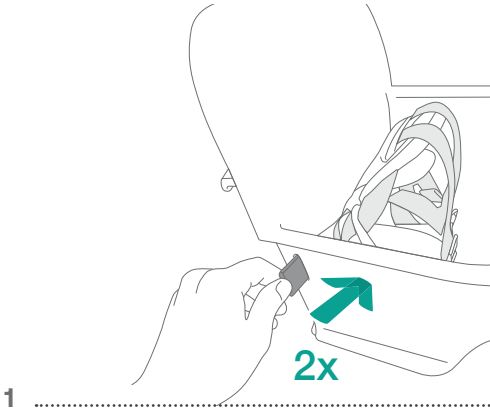
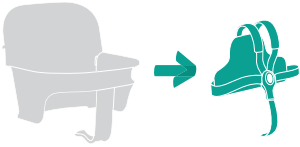


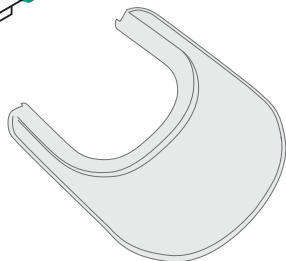
5



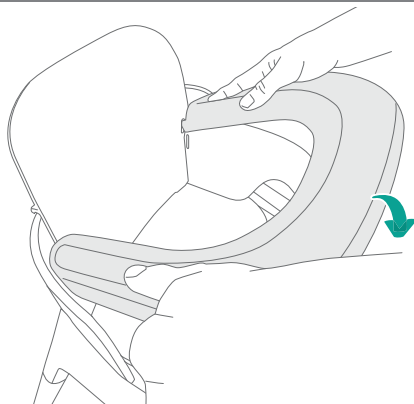
6



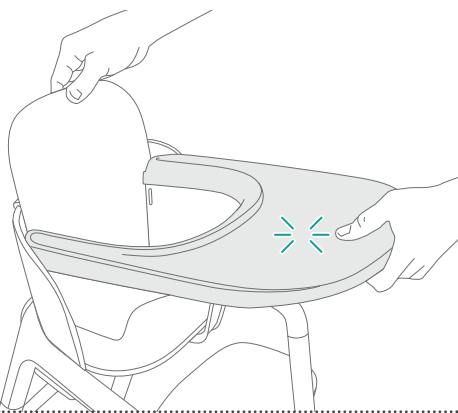




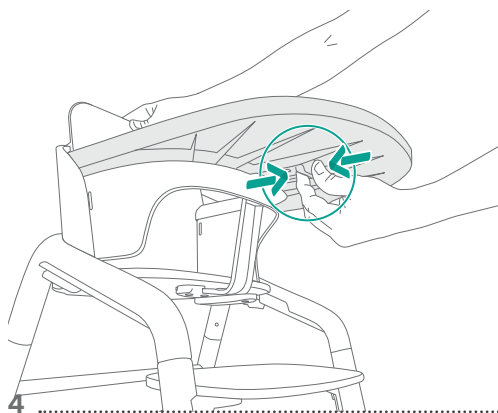
1



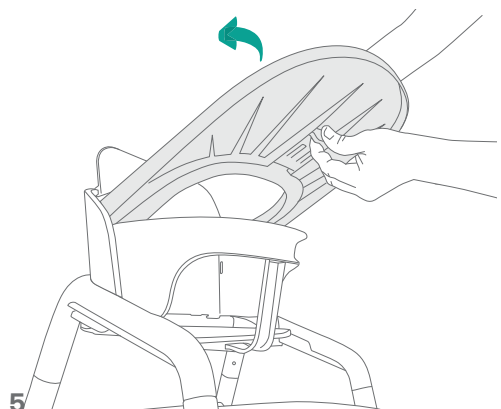
2



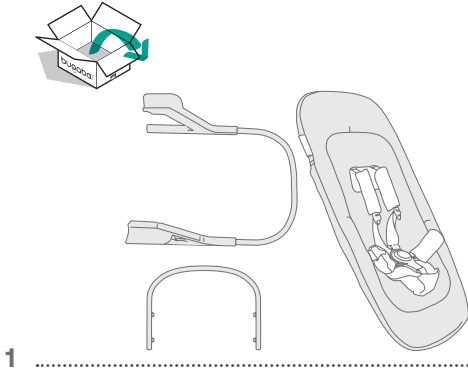
3



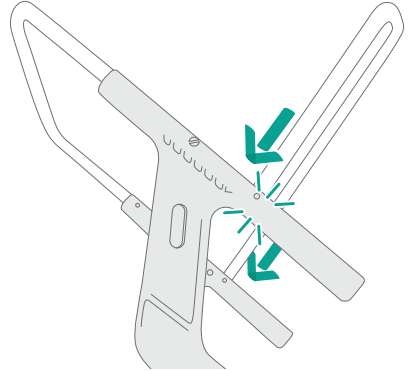
4



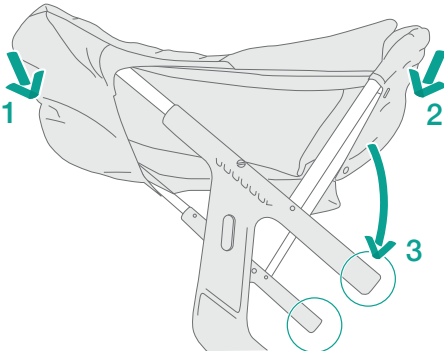
5



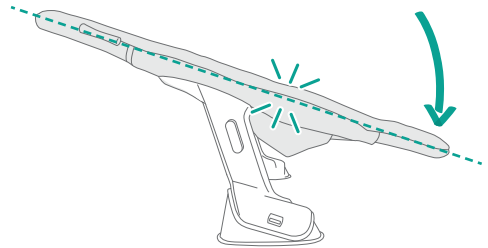
1



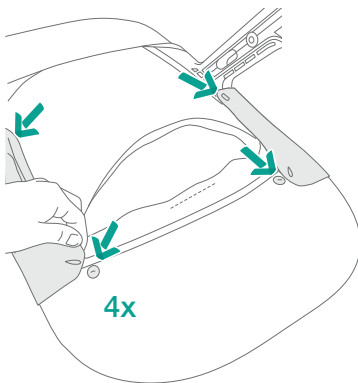
2



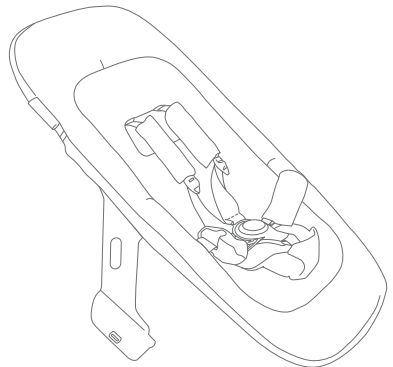
3



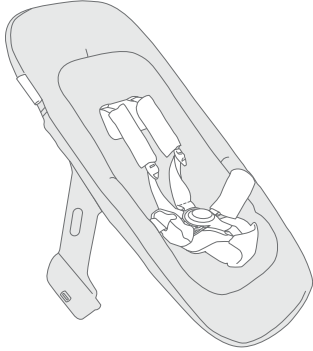
4



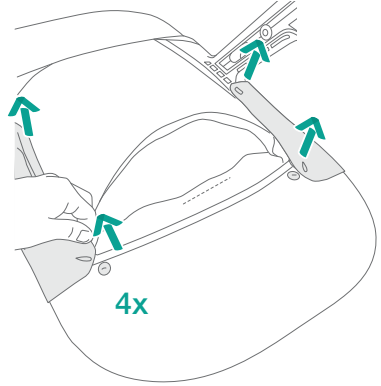
5



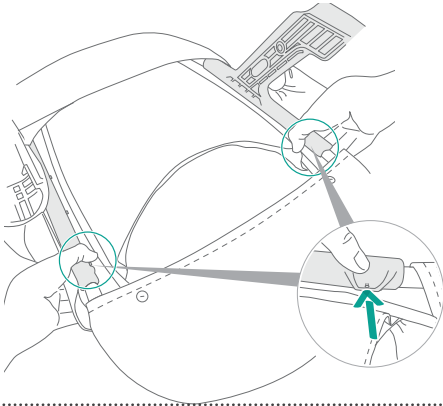
6



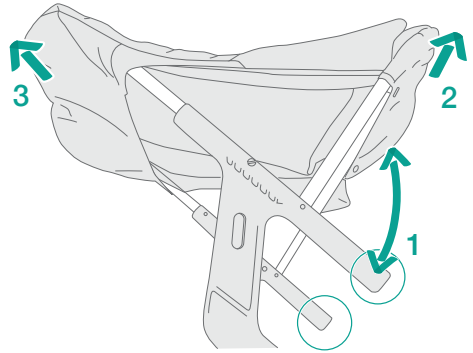
1



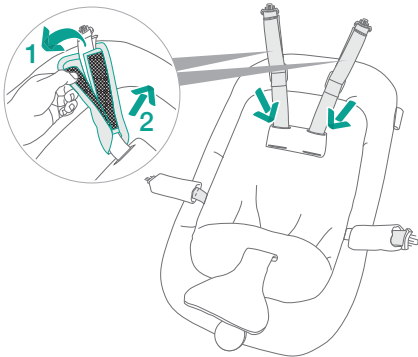
2



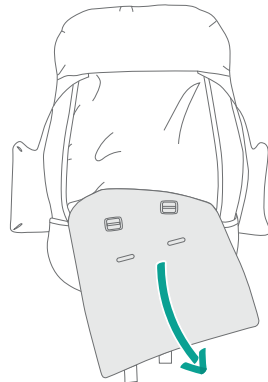
3



4

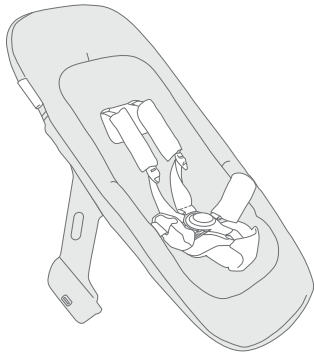


5

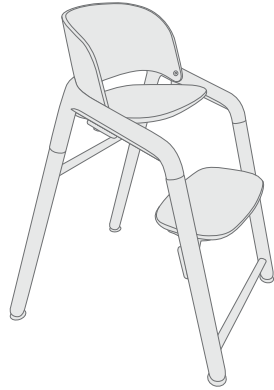


6

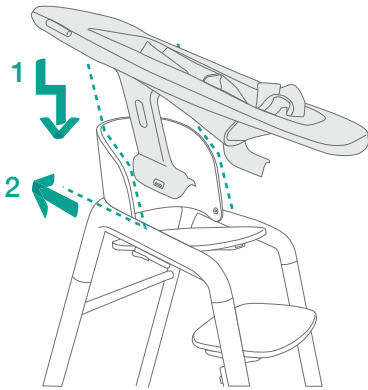




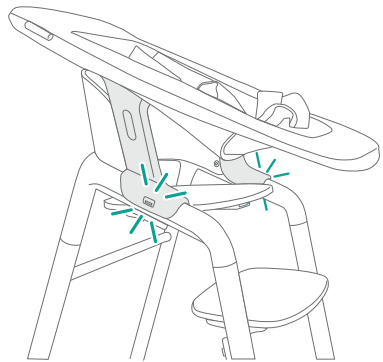
1



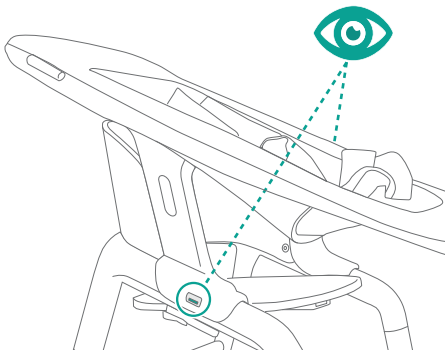
2



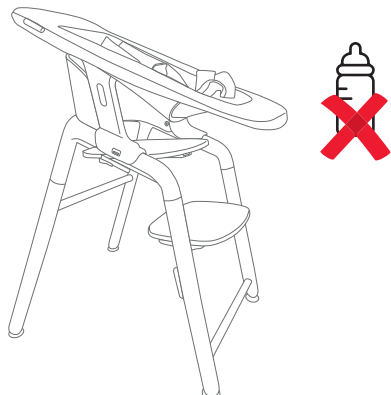
3



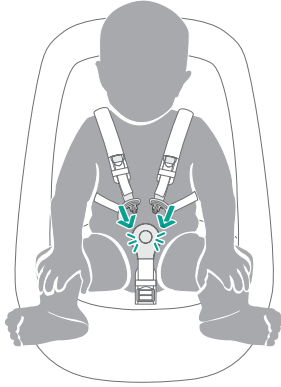
4



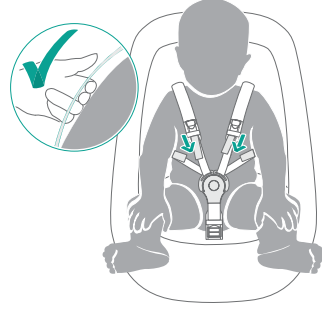
5



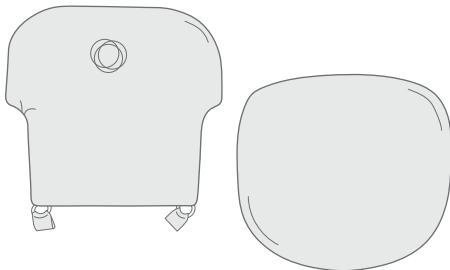
6



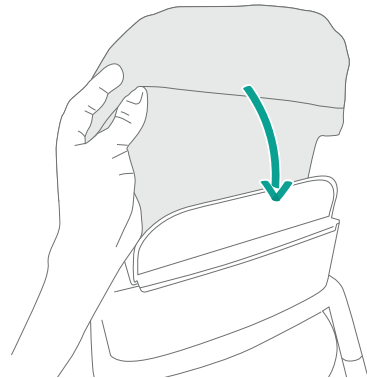
1



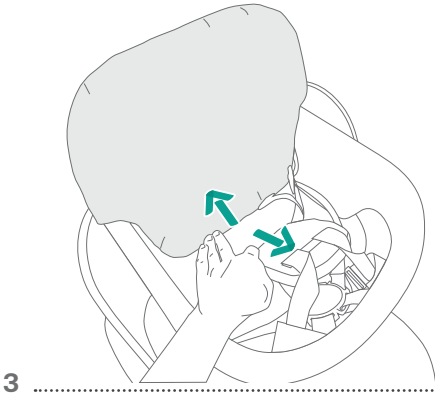
2



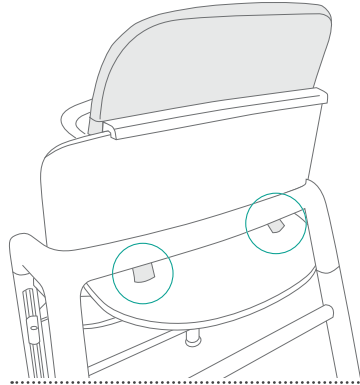
1



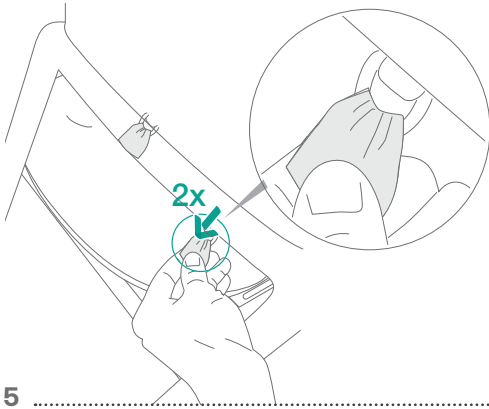
2



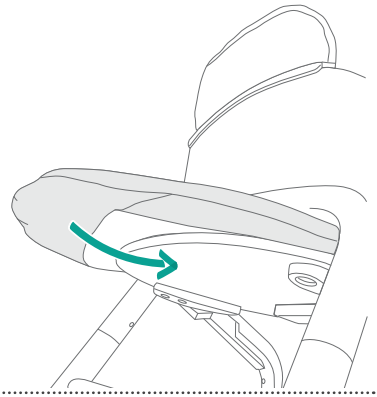
3



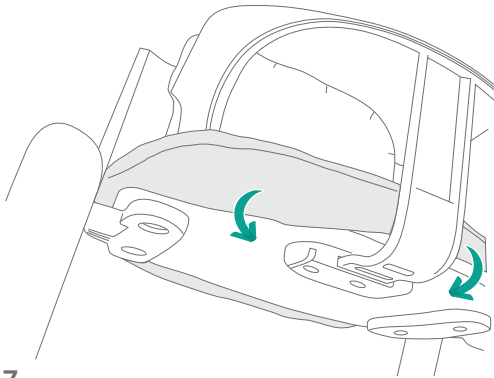
4



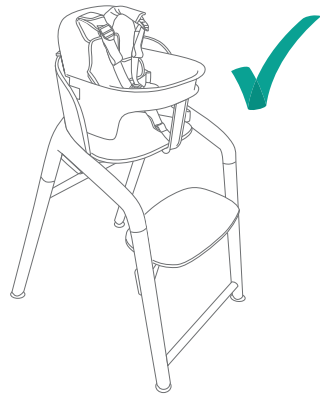
5



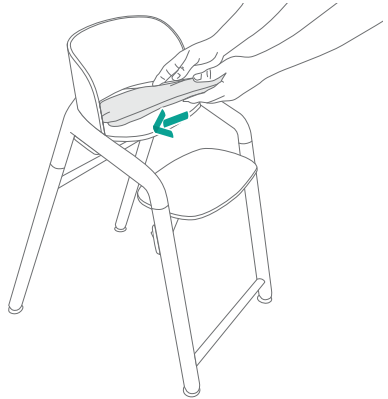
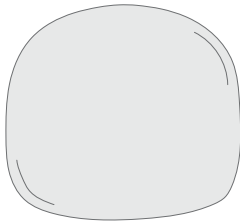
6



7

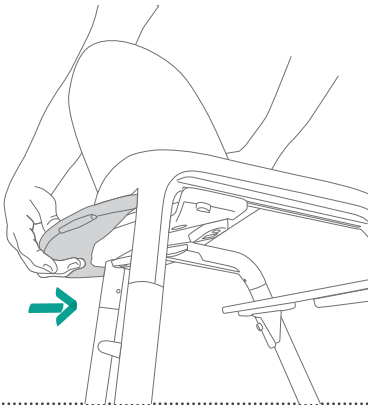


8



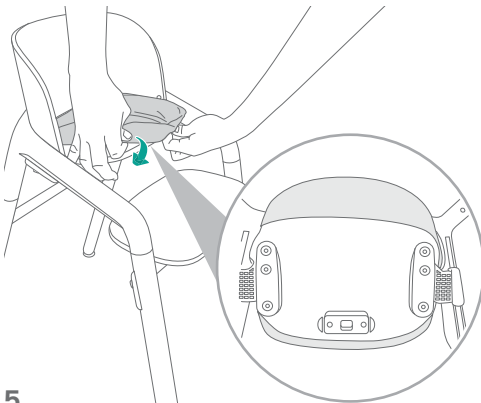
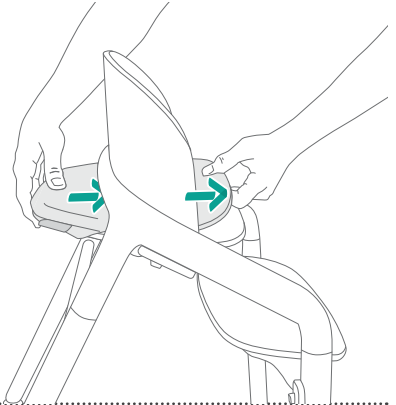
1

2



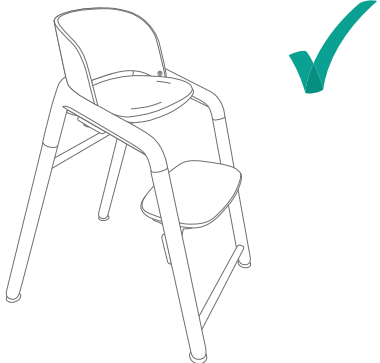
3

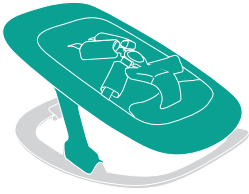
4



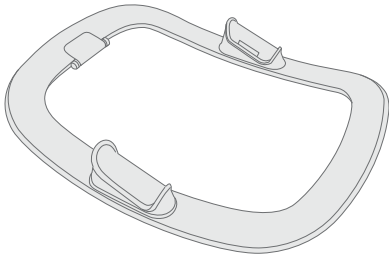
5

6

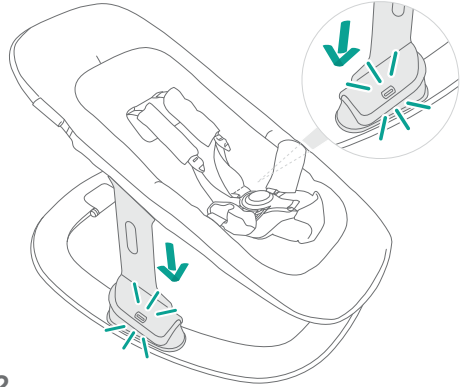




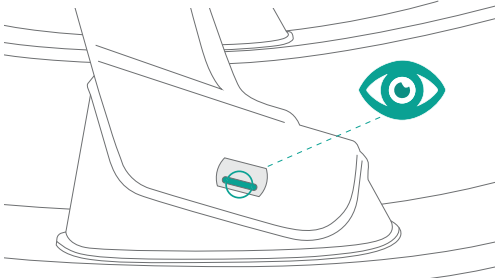
1



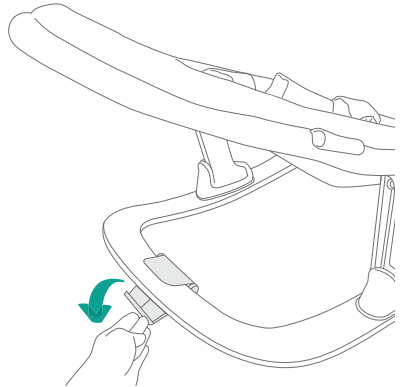
2



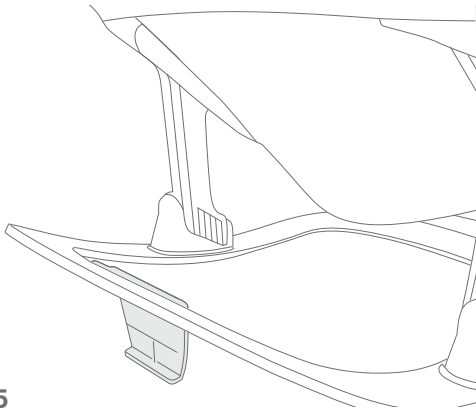
3



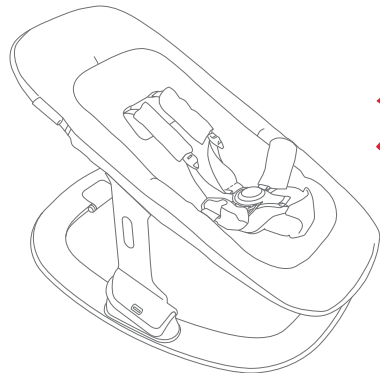
4



5



6



# Ergonomic seating guide

**The Bugaboo Giraffe's seat and footrest can be adjusted without any tools, just a simple click and slide.**

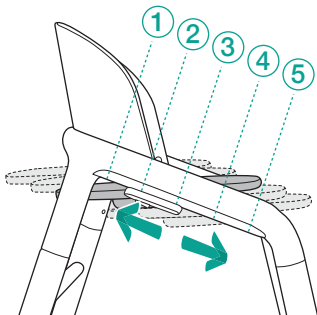
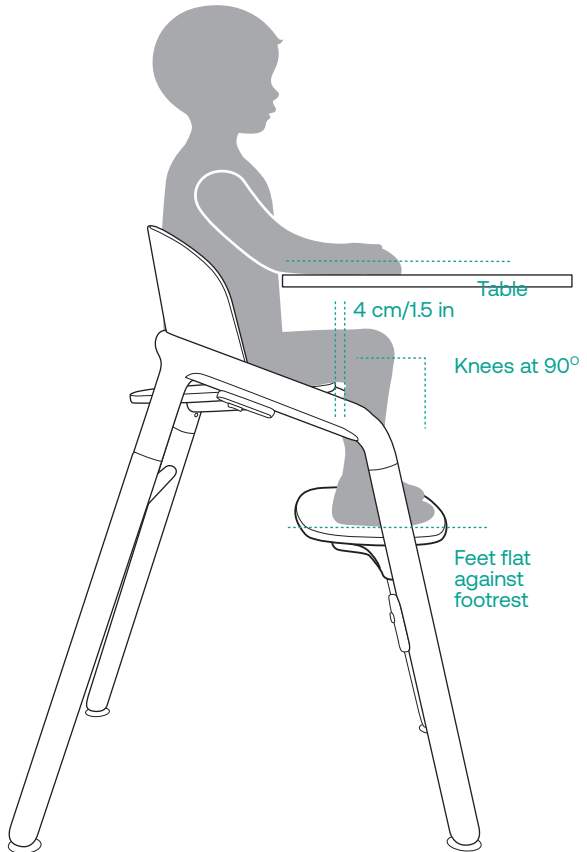
An ergonomic seating position means:

- Sitting upright against the backrest
- Elbows touching the table
- Knees bent at a 90° angle
- Feet flat against the footrest
- Space (4 cm/1.5 in) between the legs and seat for maximum comfort

*Only adjust the chair when nobody is sitting on it!*

## Tip

If the feet are already touching the ground while sitting, you can hide the footrest by sliding it to the highest position to create more leg space.



## Seat positions

- 1 6 months-3 years with Bugaboo Giraffe baby set
- 2-5 3-14 years
- 5 14+ years

The Bugaboo Giraffe newborn set can be attached to the Bugaboo Giraffe no matter what position the seat is in.

# Cleaning & maintenance tips

Routinely inspect and maintain your Bugaboo product.

Keep the product clean at all times.

- Clean the hardware parts with a soft towel and lukewarm water and wipe off any remaining water with a dry cloth.
- The Bugaboo Giraffe babysset and tray are dishwasher safe up to 65 °C/149 F.
- Please be careful with colored food; the color of the babysset and tray may be affected by it.

**IMPORTANT:** Always check the care label before washing.

All fabrics are machine washable at 30 °C/86 F.

- Make sure all closures are fastened.
- After washing the harness, please wipe the buckle and its clips with a cloth.

Certain types of floors may be sensitive to abrasion. It is the user's responsibility to decide whether Bugaboo Giraffe is suitable for their flooring.

## **WARNINGS** and other usage information

**IMPORTANT — READ THESE INSTRUCTIONS CAREFULLY BEFORE USE AND KEEP FOR FUTURE REFERENCE.**

### PRODUCT IN GENERAL

1. The Bugaboo Giraffe and its components are meant to be used indoors.
2. Stay near and watch child during use.
3. Always use the restraint system, and adjust to fit snugly.
4. The child should be secured in the high chair at all times by the restraining system.
5. Discontinue use of newborn set when child is able to sit upright unassisted or weighs more than 20 lbs (9 kg), whichever comes first.
6. Do not use the high chair with baby set until the child can sit up unaided.
7. Only use high chair with baby set installed when child is capable of sitting upright unassisted.
8. **FALL HAZARD:** Children have suffered severe head injuries including skull fractures when falling from high chairs. Falls can happen suddenly if child is not restrained properly.
9. The tray is not designed to hold the child in the chair.
10. Do not use the product unless all components are correctly fitted and adjusted.
11. Don't use the chair as stepstool.
12. Certain types of floors may be sensitive to abrasion. It is the user's responsibility to decide whether Bugaboo Giraffe is suitable for their flooring.

## Manufacturer's warranty

The manufacturer, Bugaboo International BV, which has its principal place of business in Amsterdam ("Bugaboo"), supplies the Bugaboo product under warranty. Full warranty conditions can be found on [bugaboo.com](http://bugaboo.com). If you have purchased your product directly from Bugaboo, you can contact our Customer Support Team using our online contact form ([www.bugaboo.com/support](http://www.bugaboo.com/support)). If you purchased your product from one of our official points of sale, first contact your retailer to submit a claim under this manufacturer's warranty.

## Customer service

If you have a question you might be able to find the answer on our website [www.bugaboo.com](http://www.bugaboo.com). If you need to contact our international service team, we are always happy to hear from you! We are available to answer any questions, concerns, or comments you may have regarding our products and services. Don't hesitate to contact us. Your feedback helps us to further improve our products and services.

You can contact our Customer Support Team using our online contact form ([www.bugaboo.com/support](http://www.bugaboo.com/support)).

The information contained herein is subject to change without notice. Bugaboo International BV shall not be liable for technical errors or omissions contained herein. The purchased product may differ from the product as described in this user guide. Our most recent user guides can be requested at our service departments or at [www.bugaboo.com](http://www.bugaboo.com).

© 2024 Bugaboo International BV. BUGABOO, BUGABOO CAMELEON, BUGABOO BEE, BUGABOO DONKEY, BUGABOO FOX, BUGABOO TURTLE, BUGABOO ANT, BUGABOO LYNX, BUGABOO STARDUST, BUGABOO BUTTERFLY, BUGABOO OWL, BUGABOO DRAGONFLY, BUGABOO GIRAFFE and the Bugaboo logos are registered trademarks. The Bugaboo® strollers are patented and design protected.



# Ergonomic seating guide

**The Bugaboo Giraffe's seat and footrest can be adjusted without any tools, just a simple click and slide.**

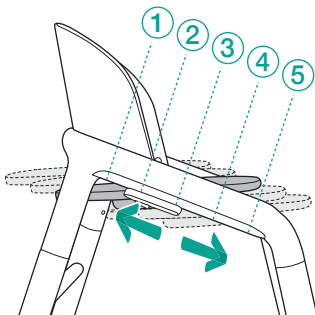
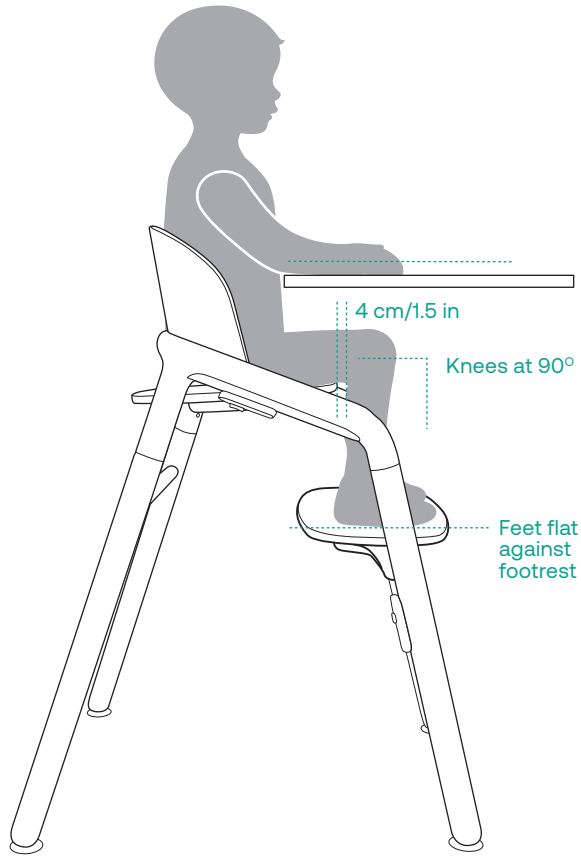
An ergonomic seating position means:

- Sitting upright against the backrest
- Elbows touching the table
- Knees bent at a 90° angle
- Feet flat against the footrest
- Space (4 cm/1.5 in) between the legs and seat for maximum comfort

*Only adjust the chair when nobody is sitting on it!*

## Tip

If the feet are already touching the ground while sitting, you can hide the footrest by sliding it to the highest position to create more leg space.



## Seat positions

- ① 6 months-3 years with Bugaboo Giraffe baby set
- ②-⑤ 3-14 years
- ⑤ 14+ years

The Bugaboo Giraffe newborn set can be attached to the Bugaboo Giraffe no matter what position the seat is in.

# Cleaning & maintenance tips

Routinely inspect and maintain your Bugaboo product.

Keep the product clean at all times.

- Clean the hardware parts with a soft towel and lukewarm water and wipe off any remaining water with a dry cloth.
- The Bugaboo Giraffe babyset and tray are dishwasher safe up to 65 °C/149 F.
- Please be careful with colored food; the color of the babyset and tray may be affected by it.

**IMPORTANT:** Always check the care label before washing.

All fabrics are machine washable at 30 °C/86 F.

- Make sure all closures are fastened.
- After washing the harness, please wipe the buckle and its clips with a cloth.

Certain types of floors may be sensitive to abrasion. It is the user's responsibility to decide whether Bugaboo Giraffe is suitable for their flooring.

## WARNINGS and other usage information

**IMPORTANT — READ THESE INSTRUCTIONS CAREFULLY BEFORE USE AND KEEP FOR FUTURE REFERENCE.**

### PRODUCT IN GENERAL

1. The Bugaboo Giraffe and its components are meant to be used indoors.
2. DO NOT LEAVE CHILDREN UNATTENDED.
3. POSITION THE CHAIR AWAY FROM SOLID STRUCTURES AND BENCHES TO AVOID INJURIES CAUSED BY FALLS AND BY ACCESS TO DANGEROUS ITEMS.
4. Use the chair on a flat, even and horizontal floor and do not elevate the chair on any structure or table.
5. To reduce the risk of injury, position the chair away from furniture, walls, hot surfaces and liquids, window covering cords, and electrical cords and position the chair away from furniture when the chair is not being used at a table with a tray removed.
6. Be aware of the risk of open fires and other sources of strong heat in the vicinity of the product.
7. Be aware of the risk of tilting when your child can push its feet against a table or any other structure.
8. FALLING HAZARD: Prevent your child from climbing on the product.
9. WARNING: Do not use the chair if any part is broken, torn or missing.
10. WARNING: Do not use the chair if it is not working correctly and seek repair.
11. Do not use accessories or replacement parts other than those approved by the manufacturer.

12. To avoid injury, keep children away when assembling or disassembling the chair.
13. Don't use the chair as stepstool.
14. Certain types of floors may be sensitive to abrasion. It is the user's responsibility to decide whether Bugaboo Giraffe is suitable for their flooring.

### **FOR USE WITH ACCESSORIES**

15. THE HARNESS MUST ALWAYS BE USED AND CORRECTLY FITTED— MOST INJURIES FROM HIGH CHAIRS ARE CAUSED BY FALLS.
16. Stop using the newborn set when the child starts trying to sit up.
17. Do not use the chair with baby set until the child can sit up unaided.
18. The chair with baby set is intended for children able to sit up unaided and up to 3 years or a maximum weight of 15 kg, whichever comes first.

## **Manufacturer's warranty**

The manufacturer, Bugaboo International BV, which has its principal place of business in Amsterdam ("Bugaboo"), supplies the Bugaboo product under warranty. Full warranty conditions can be found on [bugaboo.com](http://bugaboo.com). If you have purchased your product directly from Bugaboo, you can contact our Customer Support Team using our online contact form ([www.bugaboo.com/support](http://www.bugaboo.com/support)). If you purchased your product from one of our official points of sale, first contact your retailer to submit a claim under this manufacturer's warranty.

## **Customer service**

If you have a question you might be able to find the answer on our website [www.bugaboo.com](http://www.bugaboo.com). If you need to contact our international service team, we are always happy to hear from you! We are available to answer any questions, concerns, or comments you may have regarding our products and services. Don't hesitate to contact us. Your feedback helps us to further improve our products and services.

You can contact our Customer Support Team using our online contact form ([www.bugaboo.com/support](http://www.bugaboo.com/support)).



@Bugaboo #Bugaboo

The information contained herein is subject to change without notice. Bugaboo International BV shall not be liable for technical errors or omissions contained herein. The purchased product may differ from the product as described in this user guide. Our most recent user guides can be requested at our service departments or at [www.bugaboo.com](http://www.bugaboo.com).

© 2023 Bugaboo International BV. BUGABOO, BUGABOO CAMELEON, BUGABOO BEE, BUGABOO DONKEY, BUGABOO FOX, BUGABOO TURTLE, BUGABOO ANT, BUGABOO LYNX, BUGABOO STARDUST, BUGABOO BUTTERFLY, BUGABOO OWL, BUGABOO DRAGONFLY, BUGABOO GIRAFFE and the Bugaboo logos are registered trademarks. The Bugaboo® strollers are patented and design protected.

# Ergonomická příručka sezení

**Sedák a podnožku židle Bugaboo Giraffe lze nastavit bez použití náradí, pouhým kliknutím a posunutím.**

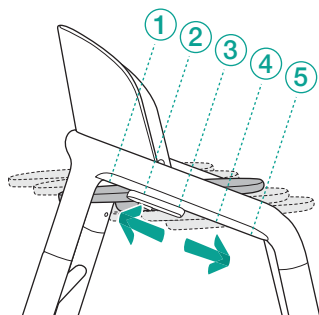
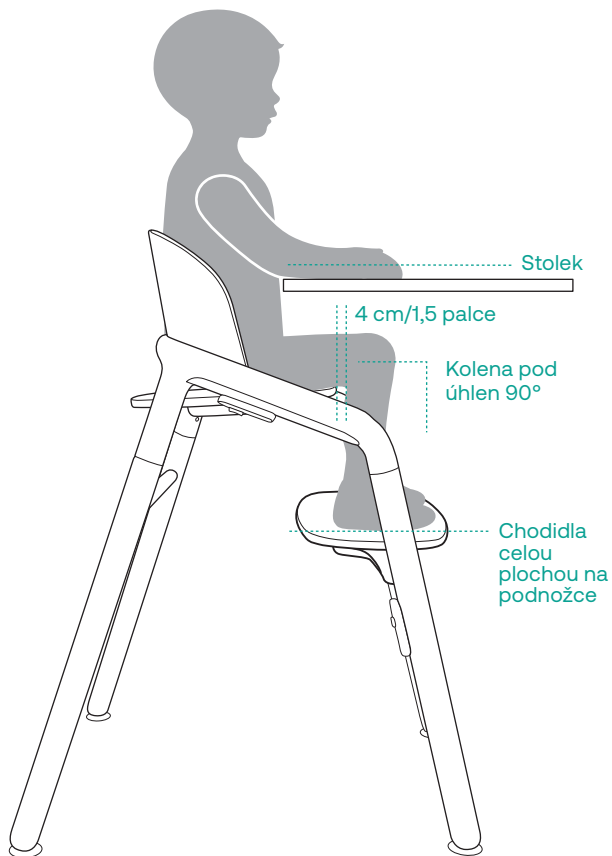
Ergonomická poloha sedu znamená:

- Sezení se vzpřímenými zády opřenými o zádovou opěru
- Lokty se dotýkají stolu
- Kolena jsou ohnutá v úhlu 90°
- Chodidla celou plochou spočívají na podnožce
- Prostor (4 cm/1,5 palce) mezi nohama a sedákem pro maximální pohodlí

*Židli nastavujte, jen když v ní nikdo nesedí!*

## Tip

Pokud chodidla při sezení dosáhnou na zem, můžete podnožku skrýt tak, že ji posunete do nejvyšší polohy a vytvoříte tak více prostoru pro nohy.



## Polohy sedu

- 1 6 měsíců až 3 roky s dětskou sadou Bugaboo Giraffe
- 2–5 3 až 14 let
- 5 14+ let

Novorozeneckou sadu Bugaboo Giraffe lze nasadit na Bugaboo Giraffe bez ohledu na polohu sedáku.

# Tipy na péči a údržbu

Produkt Bugaboo pravidelně kontrolujte a udržujte.

Produkt udržujte vždy čistý.

- Pevné části otřete měkkým ručníkem namočeným do vlažné vody a zbytky vody osušte suchou utěrkou.
- Dětská soupravu a podnos Bugaboo Giraffe lze mýt v myčce až do 65°C.
- Buďte opatrní při servírování barvených pokrmů, mohly by zbarvit baby soupravu a táč.

**DŮLEŽITÉ:** Před praním si vždy prostudujte etiketu na textiliích.

- Všechny textilní součásti lze prát v pračce při 30°C.
- Zkontrolujte, že jsou všechny otvory uzavřeny.
- Po vyprání postroje otřete přezku a její spony utěrkou.

Některé typy podlah mohou být náchylné na oděr. Je v odpovědnosti uživatele rozhodnout o tom, zda je Bugaboo Giraffe vhodný pro jeho podlahu.

## VAROVÁNÍ a ostatní informace k použití

**DŮLEŽITÉ – PŘED POUŽITÍM SI POZORNĚ PŘEČTĚTE NÁVOD A USCHOVEJTE PRO POZDĚJŠÍ NAHLÉDNUTÍ.**

### PRODUKT JAKO TAKOVÝ

1. Bugaboo Giraffe a její součásti jsou určeny k použití v interiéru.
2. Nepoužívejte výrobek, dokud nejsou všechny součásti správně připevněné a seřizené.
3. Všechny montované součásti musí být vždy řádně utaženy.
4. Pozor na nebezpečí otevřeného ohně nebo dalších zdrojů tepla v blízkosti výrobku.
5. Pozor na nebezpečí převrnutí, když vaše dítě zapře nohy o stůl nebo jiný předmět.
6. **VAROVÁNÍ:** Židli nepoužívejte, pokud je některá její část poškozená, roztržená nebo chybí.
7. Nepoužívejte příslušenství nebo náhradní díly, které nejsou schválené výrobcem.
8. V zájmu prevence úrazů nemontujte ani nedemontujte židli v blízkosti dětí.
9. **NEUMÍSTUJTE** tento produkt v blízkosti okna, protože jej může dítě použít jako schod a způsobit, že dítě vypadne z okna.
10. **NEUMÍSTUJTE** tento produkt v blízkosti okna, kde by šňůry od žaluzií nebo záclon mohly dítě uškrtit.
11. Židle bez příslušenství je v souladu s normou EN17191:2021.
12. Židle bez příslušenství je vhodná pro dítě od 3 do 14 let.
13. Nepoužívejte židli jako schůdky.

14. Některé typy podlah mohou být náchylné na oděr. Je v odpovědnosti uživatele rozhodnout o tom, zda je Bugaboo Giraffe vhodný pro jeho podlahu.

### PRO POUŽITÍ S PŘÍSLUŠENSTVÍM

15. Nikdy nenechávejte dítě bez dozoru.
16. Nebezpečí pádu: Nenechte své dítě šplhat na výrobek.
17. Vždy používejte zádržný systém.
18. Když se vaše dítě začne pokoušet sedět, přestaňte tuto novorozeneckou sadu používat.
19. Nepoužívejte židli s dětskou soupravou, dokud dítě nedokáže samo sedět.
20. Židle s dětskou soupravou je určena pro děti, které jsou schopné sedět bez pomoci a do 3 let nebo do maximální hmotnosti 15 kg, podle toho, co nastane dříve.

## Záruka výrobce

Výrobce, společnost Bugaboo International BV, se sídlem v Amsterdamu (dále „Bugaboo“), dodává produkt Bugaboo se zárukou. Záruční podmínky v plném znění naleznete na adrese [bugaboo.com](http://bugaboo.com). Pokud jste produkt zakoupili přímo od společnosti Bugaboo, můžete se obrátit na náš tým zákaznické podpory prostřednictvím našeho kontaktního formuláře online ([www.bugaboo.com/support](http://www.bugaboo.com/support)). Pokud jste produkt zakoupili v jednom z našich oficiálních prodejních míst, obraťte se s reklamací v rámci záruční doby poskytované výrobcem nejprve na maloobchod, kde jste produkt zakoupili.

## Služby zákazníkům

Máte-li otázky, možná na ně najdete odpovědi na naší webové stránce [www.bugaboo.com](http://www.bugaboo.com).

Potřebujete-li se obrátit na náš mezinárodní tým oddělení služeb, rádi od.

Vás uslyšíme! Odpovíme Vám na jakýkoli dotaz, obavy nebo připomínky ohledně našich výrobků nebo služeb. Neváhejte se na nás obrátit. Vaše zpětná vazba nám pomáhá i nadále zlepšovat naše výrobky a služby.

Náš tým zákaznické podpory můžete kontaktovat prostřednictvím našeho online kontaktního formuláře ([www.bugaboo.com/support](http://www.bugaboo.com/support)).

Informace obsažené v tomto dokumentu mohou být bez předchozího oznámení změněny. Společnost Bugaboo International BV nebude odpovědná za technické chyby nebo opomenutí obsažené v tomto dokumentu. Zakoupený výrobek se může lišit od výrobku popsaného v této uživatelské příručce. Naše nejaktuálnější uživatelské příručky si můžete vyžádat na našich servisních odděleních nebo na [www.bugaboo.com](http://www.bugaboo.com). © 2023 Bugaboo International BV. BUGABOO, BUGABOO CAMELEON, BUGABOO BEE, BUGABOO DONKEY, BUGABOO FOX, BUGABOO TURTLE, BUGABOO ANT, BUGABOO LYNX, BUGABOO STARJUST, BUGABOO BUTTERFLY, BUGABOO OWL, BUGABOO DRAGONFLY, BUGABOO GIRAFFE a loga Bugaboo jsou registrované ochranné známky. Kočárky Bugaboo® jsou patentované a chráněné průmyslovým vzorem.

**Bugaboo Giraffes sæde og fodskammel kan justeres uden brug af værktøj – man skal blot klikke og skubbe.**

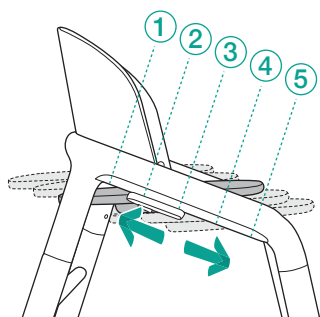
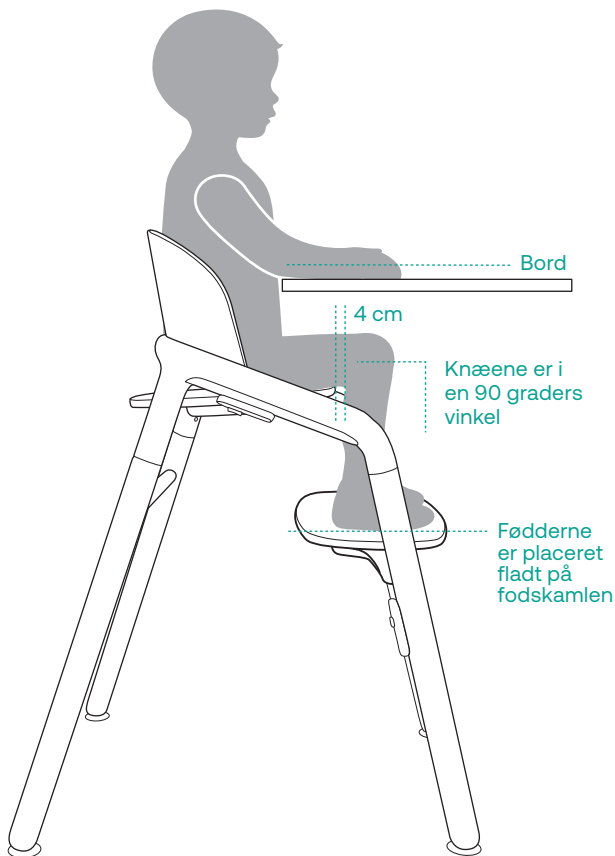
En ergonomisk siddeposition indebærer:

- At man sidder ret op ad ryglænet
- At albuerne rører bordet
- At knæene holdes i en 90 graders vinkel
- At fødderne er placeret fladt på fodskamlen
- At der er 4 cm mellem benet og sædet for maksimal komfort

*Du må kun justere stolen, når der ikke sidder nogen i den!*

## Tip

Hvis fødderne allerede rører gulvet, når man sidder, kan du fjerne fodskamlen ved at skyde den ud i den højeste position, så du opnår mere benplads.



## Siddepositioner

- ① 6 måneder til 3 år med Bugaboo Giraffe-sættet til baby
- ②-⑤ 3-14 år
- ⑤ Over 14 år

Bugaboo Giraffe-sættet til nyfødte kan sættes fast på Bugaboo Giraffe, uanset hvilken position sædet er sat i.

# Gode råd om rengøring & vedligeholdelse

Efterse og vedligehold dit Bugaboo produkt rutinemæssigt.

Hold hele tiden produktet rent.

- Vask de hårde dele af med en blød klud og lunken vand, og tør overskydende vand af med en tør klud.
- Bugaboo Giraffe babysættet og bakken tåler opvaskemaskine op til 65°C.
- Vær forsigtig med farvet mad; farven på babysættet og bakken kan blive påvirket af det.

**VIGTIGT:** Kontrollér altid vaskeanvisningen før vask.

- Alle tekstiler kan vaskes i maskine ved 30°C.
- Sørg for at alle spænder er lukket.
- Efter vask af selen skal du tørre spændet og dets clips af med en klud.

Visse typer gulve kan være følsomme over for slid. Det er brugerens ansvar at beslutte, om Bugaboo Giraffe er egnet til deres gulvbelægning.

## **WADVARSLER** og anden brugsinformation

**VIGTIGT – LÆS OMHYGGELIGT. GEM TIL FREMTIDIG BRUG.  
PRODUKTET GENERELT**

1. Bugaboo Giraffe og dens komponenter er beregnet til at blive brugt indendørs.
2. Brug ikke produktet, med mindre alle dele er korrekt monteret og indstillet.
3. Alle monteringsbeslag skal altid spændes korrekt.
4. Vær opmærksom på risikoen ved åben ild og andre stærke varmekilder i nærheden af produktet.
5. Vær opmærksom på risikoen for, at stolen tipper, når dit barn kan skubbe med fødderne mod et bord eller andre genstande.
6. **ADVARSEL:** Brug ikke stolen, hvis en del er knækket, revnet eller mangler.
7. Brug ikke tilbehør eller reservedele ud over dem, der er godkendt af producenten.
8. For at undgå skader skal du holde børn væk, når du samler eller adskiller stolen.
9. Anbring IKKE dette produkt i nærheden af et vindue, da barnet kan bruge det som et trin, og det kan få barnet til at falde ud af vinduet.
10. Anbring IKKE dette produkt i nærheden af et vindue, hvor snore fra persiener eller gardiner kan kvæle et barn.
11. Stolen uden tilbehør er i overensstemmelse med EN17191:2021.
12. Stolen uden tilbehør er velegnet til barnet på 3 til 14 år.
13. Brug ikke stolen som trappetige.



14. Visse typer gulve kan være følsomme over for slid. Det er brugerens ansvar at beslutte, om Bugaboo Giraffe er egnet til deres gulvbelægning.

### **TIL BRUG SAMMEN MED TILBEHØR**

15. Efterlad aldrig barnet uden opsyn.
16. Risiko for faldulykker: Sørg for, at dit barn ikke kravler på produktet.
17. Brug altid selen.
18. Hold op med at bruge newborn-sættet, når barnet forsøger at sidde oprejst.
19. Anvend ikke stolen med babysættet, før barnet kan sidde oprejst uden hjælp.
20. Stolen med babysættet er beregnet til børn, der kan sidde op uden hjælp op til en alder på 3 år eller en maksimal vægt på 15 kg, alt efter hvad der kommer først.

## **Producentens garanti**

Producenten, Bugaboo International BV med hovedsæde i Amsterdam ("Bugaboo"), leverer Bugaboo-produktet med garanti. De fulde garantibetingelser kan findes på [bugaboo.com](http://bugaboo.com). Hvis du har købt produktet direkte af Bugaboo, kan du kontakte vores kundesupportteam ved hjælp af vores online kontaktformular ([www.bugaboo.com/support](http://www.bugaboo.com/support)). Hvis du har købt produktet på et af vores officielle salgssteder, bedes du først kontakte forhandleren for at indgive et krav under producentgarantien.

## **Kundeservice**

Hvis du sidder med et spørgsmål, så kan vi muligvis hjælpe dig med et svar på vores website [www.bugaboo.dk](http://www.bugaboo.dk). Hvis du har brug for at kontakte vores internationale serviceteam, så hører vi gerne fra dig!

Vi sidder klar til at svare på dine spørgsmål og hjælpe dig videre, hvis du oplever problemer med et af vores produkter eller har kommentarer. Tag endelig fat i os. Din feedback er med til at forbedre vores produkter og tjenester.

Du kan kontakte vores kundesupportteam ved hjælp af vores online kontaktformular. ([www.bugaboo.com/support](http://www.bugaboo.com/support))

Oplysningerne heri kan ændres uden varsel. Bugaboo International BV påtager sig intet ansvar for tekniske fejl eller udeladelser heri. Det købte produkt kan være anderledes end produktet, der beskrives i brugervejledningen. De nyeste brugervejledninger kan hentes i vores serviceafdelinger eller på [www.bugaboo.com](http://www.bugaboo.com).

© 2023 Bugaboo International BV. BUGABOO, BUGABOO CAMELEON, BUGABOO BEE, BUGABOO DONKEY, BUGABOO FOX, BUGABOO TURTLE, BUGABOO ANT, BUGABOO LYNX, BUGABOO STARDUST, BUGABOO BUTTERFLY, BUGABOO OWL, BUGABOO DRAGONFLY, BUGABOO GIRAFFE og Bugaboo-logoerne er registrerede varemærker. Alle Bugaboo®-klapvogne er patenteret og designbeskyttede.

# Guide: Ergonomisches Sitzen

**Der Sitz und die Fußstütze des Bugaboo Giraffe lassen sich ohne Werkzeug mit einem einfachen Klicken und Schieben verstellen.**

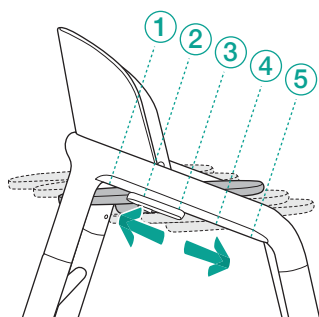
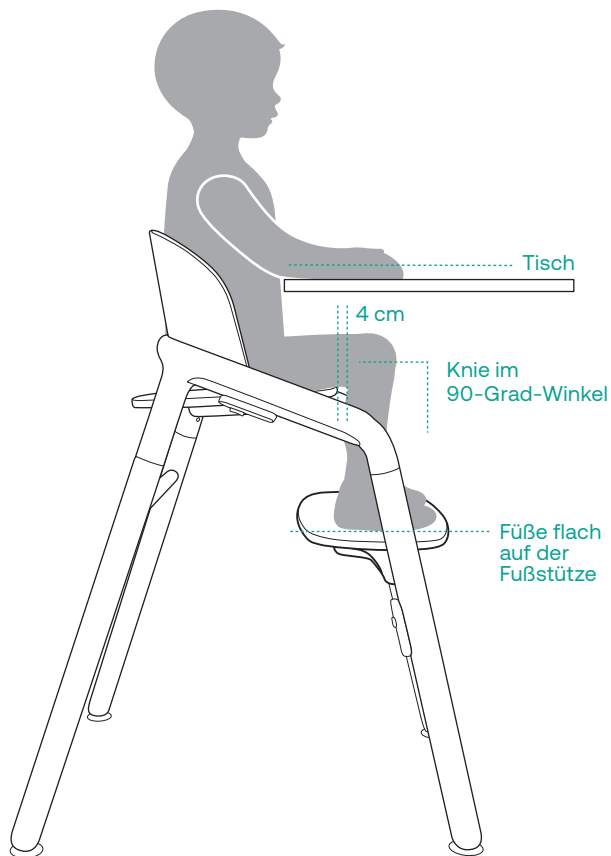
Eine ergonomische Sitzposition bedeutet:

- aufrecht an die Rückenlehne angelehntes Sitzen
- die Ellbogen berühren den Tisch
- die Knie sind im 90-Grad-Winkel gebeugt
- die Füße stehen flach auf der Fußstütze
- Platz (4 cm) zwischen Beinen und Sitz – für maximalen Komfort

*Stelle den Stuhl nur ein, wenn niemand darauf sitzt!*

## Tipp

Wenn die Füße beim Sitzen bereits den Boden berühren, kannst Du die Fußstütze verstecken, indem Du sie in die höchste Position schiebst, um mehr Beinfreiheit zu schaffen.



## Sitzpositionen

- ① 6 Monate bis 3 Jahre  
mit Bugaboo Giraffe Baby-Set
- ②-⑤ 3-14 Jahre
- ⑤ 14+ Jahre

Das Bugaboo Giraffe Neugeborenen-Set kann unabhängig von der Position des Sitzes am Bugaboo Giraffe befestigt werden.

# Reinigungs- und Pflegetipps

Kontrolliere und pflege dein Bugaboo-Produkt regelmäßig.

Das Produkt immer sauber halten.

- Die Hardware-Teile mit einem weichen Tuch und lauwarmem Wasser reinigen und restliches Wasser mit einem trockenen Tuch abwischen.
- Das Bugaboo Giraffe Babysset und das Tablett sind bis zu einer Temperatur von 65°C spülmaschinenfest.
- Bitte sei vorsichtig mit gefärbten Lebensmitteln; die Farbe des Babysets und des Tablett könnte dadurch beeinträchtigt werden.

**WICHTIG:** Lesen Sie vor dem Waschen stets die Hinweise auf dem Pflegeetikett.

- Alle Bezüge sind auf 30°C maschinenwaschbar.
- Darauf achten, dass alle Verschlüsse zu sind.
- Bitte wische die Gurtschnalle und die Clips nach dem Waschen des Haltegurts mit einem Tuch ab.

Bestimmte Böden können empfindlich gegen Abrieb sein. Es liegt in der Verantwortung des Benutzers, zu entscheiden, ob Bugaboo Giraffe für seinen Bodenbelag geeignet ist.

## **WARNUNGEN** sonstige Nutzungsinformationen

**WICHTIG - BITTE VOR GEBRAUCH SORGFÄLTIG LESEN UND FÜR SPÄTERES NACHLESEN UNBEDINGT AUFBEWAHREN.**

### **PRODUKT GENERELL**

1. Der Bugaboo Giraffe und seine Komponenten sind für den Gebrauch in Innenräumen bestimmt.
2. Das Produkt nicht benutzen, wenn nicht alle Teile ordnungsgemäß montiert und justiert sind.
3. Alle Montageverschraubungen sollten immer gut angezogen sein.
4. Darauf achten, dass das Produkt nicht in der Nähe von offenem Feuer und anderen Hitzequellen aufgestellt wird.
5. Es besteht das Risiko, dass das Produkt umkippen könnte, wenn das Kind die Füße gegen einen Tisch oder einen anderen Gegenstand drückt.
6. **WARNUNG:** Verwenden Sie den Stuhl nicht, wenn ein Teil kaputt ist, gerissen ist oder fehlt.
7. NUR Zubehör oder Ersatzteile verwenden, die vom Hersteller empfohlen werden.
8. Um Verletzungen zu vermeiden, halten Sie Kinder fern, wenn Sie den Stuhl zusammenbauen oder demontieren.
9. Stellen Sie dieses Produkt NICHT in der Nähe eines Fensters auf, da es vom Kind als Trittstufe benutzt werden kann und das Kind dadurch aus dem Fenster fallen könnte.
10. Stellen Sie dieses Produkt NICHT in der Nähe eines Fensters auf, wo die Kordeln von Jalousien oder Vorhängen ein Kind strangulieren könnten.

11. Der Stuhl ohne Zubehör entspricht der Norm EN17191:2021.
12. Der Stuhl ohne Zubehör ist für ein Kind von 3 bis 14 Jahren geeignet.
13. Benutzen Sie den Stuhl nicht als Tritthocker.
14. Bestimmte Böden können empfindlich gegen Abrieb sein. Es liegt in der Verantwortung des Benutzers, zu entscheiden, ob Bugaboo Giraffe für seinen Bodenbelag geeignet ist.

### **BEI VERWENDUNG MIT ACCESSOIRES**

15. Lassen Sie das Kind nie unbeaufsichtigt.
16. Fallrisiko: Kinder nicht auf das Produkt klettern lassen.
17. Verwenden Sie immer das Rückhaltesystem
18. Hör auf, das Neugeborenen-set zu benutzen, wenn das Kind versucht, sich aufzusetzen.
19. Den Stuhl mit dem Babysset erst dann verwenden, wenn das Kind sich selbstständig aufsetzen kann.
20. Der Stuhl mit Babysset ist für Kinder bestimmt, die selbstständig aufrecht sitzen können, bis zu einem Alter von 3 Jahren oder einem Höchstgewicht von 15 kg, je nachdem, was zuerst zutrifft.

## **Herstellergarantie**

Der Hersteller, Bugaboo International BV mit Sitz in Amsterdam („Bugaboo“), liefert das Bugaboo-Produkt unter Garantie. Die vollständigen Garantiebedingungen sind auf [bugaboo.com](http://bugaboo.com) einsehbar. Wenn du dein Produkt direkt bei Bugaboo gekauft hast, kannst du über unser Online-Kontaktformular ([www.bugaboo.com/support](http://www.bugaboo.com/support)) Kontakt zu unserem Kundensupport aufnehmen. Wenn du dein Produkt bei einer unserer offiziellen Verkaufsstellen gekauft hast, wende dich zuerst an deinen Händler, um einen Anspruch im Rahmen dieser Herstellergarantie geltend zu machen.

## **Kundenservice**

Für Fragen findest du Antworten auf [www.bugaboo.com](http://www.bugaboo.com). Wir stehen dir gern bei jeglichen Fragen, Bedenken oder Kommentaren zu unseren Produkten und Dienstleistungen zur Verfügung und freuen uns, wenn du Kontakt mit unserem internationalen Kundenservice-Team aufnimmst. Dein Feedback ist uns stets willkommen und hilft uns, unsere Produkte und Dienstleistungen stetig zu verbessern.

Du kannst unser Kundenservice-Team über unser Online-Kontaktformular ([www.bugaboo.com/support](http://www.bugaboo.com/support)) kontaktieren.

Die in dem vorliegenden Dokument enthaltenen Informationen können sich jederzeit ohne Ankündigung ändern. Bugaboo International BV ist nicht für technische Fehler oder Auslassungen in dem vorliegenden Dokument verantwortlich. Das erworbene Produkt kann von dem in dieser Bedienungsanleitung beschriebenen Produkt abweichen. Die aktuellste Fassung der Bedienungsanleitung erhalten Sie auf Anfrage von unseren Kundenservice oder unter [www.bugaboo.com](http://www.bugaboo.com).

© 2023 Bugaboo International BV. BUGABOO, BUGABOO CAMELEON, BUGABOO BEE, BUGABOO DONKEY, BUGABOO FOX, BUGABOO TURTLE, BUGABOO ANT, BUGABOO LYNX, BUGABOO STARDUST, BUGABOO BUTTERFLY, BUGABOO OWL, BUGABOO DRAGONFLY, BUGABOO GIRAFFE und die Bugaboo-Logos sind eingetragene Marken. Die Bugaboo®-Kinderwagen sind patentiert und als Geschmacksmuster geschützt.

# Εργονομικός οδηγός καθίσματος

Το κάθισμα και το υποπόδιο του Bugaboo Giraffe μπορούν να ρυθμιστούν εύκολα χωρίς τη χρήση κάποιου εργαλείου, με ένα απλό κλικ και ολίσθηση.

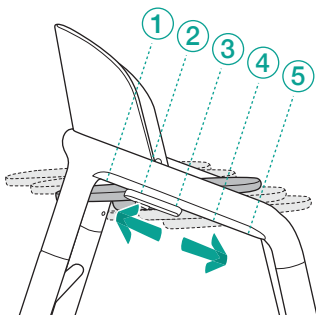
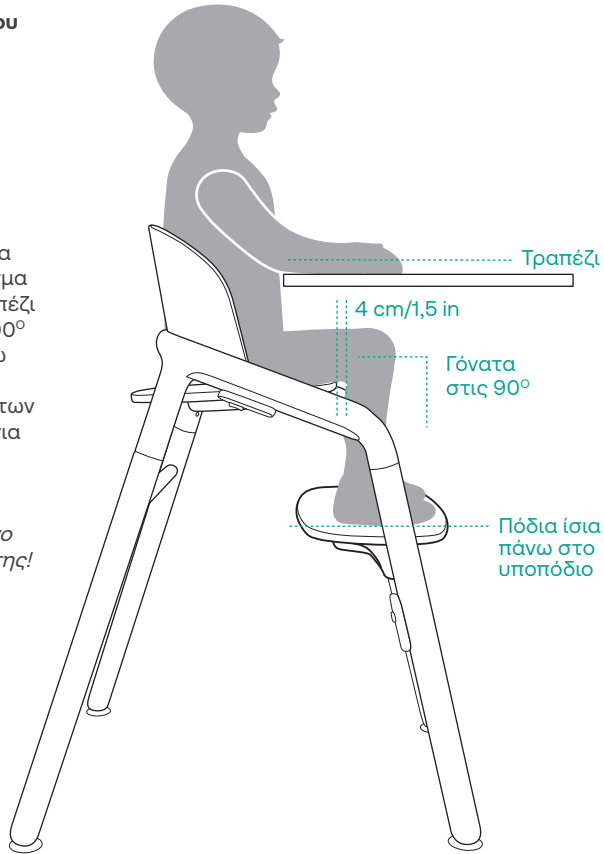
Μια εργονομική στάση καθίσματος σημαίνει:

- Όρθια στάση με την πλάτη να ακουμπάει στο ειδικό στήριγμα
- Αγκώνες να αγγίζουν το τραπέζι
- Γόνατα λυγισμένα σε γωνία 90°
- Τα πόδια να ακουμπούν πάνω στο υποπόδιο
- Διάκενο (4 cm/1,5 in) μεταξύ των ποδιών και του καθίσματος για μέγιστη άνεση

*Προσαρμόστε την καρέκλα μόνο όταν δεν κάθεται κανείς πάνω της!*

## Υπόδειξη

Εάν το μωρό κάθετει και τα πόδια του αγγίζουν το πάτωμα, μπορείτε να κρύψετε το υποπόδιο σύροντάς το στην υψηλότερη θέση του για να δημιουργήσετε περισσότερο χώρο για τα πόδια του.



## Θέσεις καθισμάτων

- 1 6 μηνών-3 ετών με βρεφικό σετ Bugaboo Giraffe
- 2-5 3-14 ετών
- 5 14+ ετών

Το σετ νεογέννητων Bugaboo Giraffe μπορεί να τοποθετηθεί στη Bugaboo Giraffe ανεξάρτητα από τη θέση στην οποία βρίσκεται το κάθισμα.

# Συμβουλές καθαρισμού και συντήρησης

Επιθεωρήστε και συντηρήστε τακτικά το προϊόν Bugaboo σας.

Διατηρείτε το προϊόν καθαρό.

- Καθαρίστε τα εξαρτήματα με μια μαλακή πετσέτα και χλιαρό νερό. Τέλος, σκουπίστε με ένα στεγνό πανί.
- Το βρεφικό σετ Bugaboo Giraffe και ο δίσκος πλένονται με ασφάλεια στο πλυντήριο πιάτων σε θερμοκρασία μέχρι 65°C.
- Να είστε προσεκτικοί με τα χρωματιστά τρόφιμα. η απόχρωση του σετ μωρού και του δίσκου μπορεί να επηρεαστεί από αυτά.

**ΣΗΜΑΝΤΙΚΟ:** Ελέγχετε πάντα την ετικέτα του υφάσματος πριν το πλύσιμο.

- Όλα τα υφάσματα πλένονται στο πλυντήριο. Στους 30°C.
- Βεβαιωθείτε ότι όλα τα σημεία που κλείνουν έχουν κλείσει.
- Αφού πλύνετε τη ζώνη, σκουπίστε την πόρπη και τα κλιπ της με ένα πανί.

Ορισμένοι τύποι δαπέδων μπορεί να είναι ευαίσθητοι στην τριβή. Αποτελεί ευθύνη του χρήστη να αποφασίσει εάν το Bugaboo Giraffe είναι κατάλληλο για το δάπεδό του.

## Προειδοποιήσεις και επιπλέον πληροφορίες χρήσης

**ΣΗΜΑΝΤΙΚΟ — ΔΙΑΒΑΣΤΕ ΑΥΤΕΣ ΤΙΣ ΟΔΗΓΙΕΣ ΠΡΟΣΕΚΤΙΚΑ ΠΡΙΝ ΑΠΟ ΤΗ ΧΡΗΣΗ ΚΑΙ ΦΥΛΑΞΤΕ ΤΕΣ ΓΙΑ ΜΕΛΛΟΝΤΙΚΗ ΑΝΑΦΟΡΑ.**

### ΓΕΝΙΚΑ ΓΙΑ ΤΟ ΠΡΟΪΟΝ

1. Το Bugaboo Giraffe και τα εξαρτήματά του προορίζονται για χρήση σε εσωτερικό χώρο.
2. Μη χρησιμοποιείτε το προϊόν αν όλα τα εξαρτήματα δεν είναι σωστά τοποθετημένα και ρυθμισμένα.
3. Όλα τα εξαρτήματα συναρμολόγησης πρέπει να είναι πάντα σωστά στερεωμένα.
4. Να έχετε επίγνωση για τυχόν κίνδυνο γυμνής φωτιάς και άλλες πηγές ισχυρής θερμότητας στην περιοχή του προϊόντος.
5. Να έχετε επίγνωση για τον κίνδυνο ανατροπής όταν το παιδί σας μπορεί να πιέσει τα πόδια του σε ένα τραπέζι ή οποιαδήποτε άλλη δομή.
6. ΠΡΟΕΙΔΟΠΟΙΗΣΗ: Μην χρησιμοποιείτε το καρεκλάκι αν κάποιο εξάρτημα είναι σπασμένο, σκισμένο ή λείπει.
7. Χρησιμοποιείτε αξεσουάρ ή ανταλλακτικά εγκεκριμένα από τον κατασκευαστή.
8. Για την αποφυγή τραυματισμών, κρατήστε τα παιδιά μακριά όταν συναρμολογείτε ή αποσυναρμολογείτε το καρεκλάκι.
9. ΜΗΝ τοποθετείτε αυτό το προϊόν κοντά σε παράθυρο, επειδή το παιδί μπορεί να ανέβει πάνω του και να πέσει από το παράθυρο.
10. ΜΗΝ τοποθετείτε αυτό το προϊόν κοντά σε παράθυρο όπου τα κορδόνια από τις περσίδες ή τις κουρτίνες μπορούν να προκαλέσουν τον στραγγαλισμό του παιδιού.

11. Το καρεκλάκι χωρίς τα αξεσουάρ συμμορφώνεται με το πρότυπο EN17191:2021.
12. Το καρεκλάκι χωρίς τα αξεσουάρ είναι κατάλληλο για παιδιά ηλικίας 3 έως 14 ετών.
13. Μην χρησιμοποιείτε την καρέκλα σαν σκαμπό.
14. Ορισμένοι τύποι δαπέδων μπορεί να είναι ευαίσθητοι στην τριβή. Αποτελεί ευθύνη του χρήστη να αποφασίσει εάν το Bugaboo Giraffe είναι κατάλληλο για το δάπεδό του.

### ΧΡΗΣΗ ΜΕ ΤΑ ΑΞΕΣΟΥΑΡ

15. Μην αφήνετε ποτέ το παιδί σας χωρίς επιτήρηση.
16. Κίνδυνος πτώσης: Αποτρέψτε το παιδί σας από το να σκαρφαλώνει πάνω στο προϊόν.
17. Χρησιμοποιείτε πάντα το σύστημα πρόσδεσης.
18. Πάψτε να χρησιμοποιείτε το σετ για νεογέννητα όταν το παιδί αρχίσει να προσπαθεί να σηκωθεί μόνο του.
19. Μην χρησιμοποιήσετε το καρεκλάκι με το βρεφικό σετ μέχρι το παιδί να μπορεί να καθίσει σε όρθια στάση χωρίς βοήθεια.
20. Το καρεκλάκι με βρεφικό σετ προορίζεται για παιδιά που είναι σε θέση να κάθονται σε όρθια στάση χωρίς βοήθεια, ηλικίας έως 3 ετών ή μέγιστου βάρους 15 κιλών.

## Εγγύηση κατασκευαστή

Ο κατασκευαστής, η Bugaboo International BV, με έδρα το Άμστερνταμ (“Bugaboo”), προμηθεύει το προϊόν Bugaboo με εγγύηση. Μπορείτε να βρείτε τους πλήρεις όρους εγγύησης στη διεύθυνση [bugaboo.com](http://bugaboo.com). Εάν έχετε αγοράσει το προϊόν σας απευθείας από την Bugaboo, μπορείτε να επικοινωνήσετε με την Ομάδα υποστήριξης πελατών μας χρησιμοποιώντας την ηλεκτρονική φόρμα επικοινωνίας ([www.bugaboo.com/support](http://www.bugaboo.com/support)). Εάν αγοράσατε το προϊόν σας από ένα από τα επίσημα σημεία πώλησής μας, επικοινωνήστε πρώτα με το κατάστημα για να υποβάλετε μια αξίωση στο πλαίσιο αυτής της εγγύησης του κατασκευαστή.

## Εξυπηρέτηση πελατών

Αν έχετε κάποια απορία, ενδέχεται να βρείτε την απάντηση στην ιστοσελίδα μας [www.bugaboo.com](http://www.bugaboo.com). Αν θέλετε να επικοινωνήσετε με τη διεθνή ομάδα εξυπηρέτησης μας, θα χαρούμε να σας ακούσουμε! Είμαστε στη διάθεσή σας για να απαντήσουμε σε οποιοσδήποτε ερωτήσεις, ανησυχίες ή σχόλια που μπορεί να έχετε σχετικά με τα προϊόντα και τις υπηρεσίες μας. Μη διστάσετε να επικοινωνήσετε μαζί μας. Τα σχόλιά σας μας βοηθούν να βελτιώνουμε περαιτέρω τα προϊόντα και τις υπηρεσίες μας.

Μπορείτε να επικοινωνήσετε με το Τμήμα Υποστήριξης Πελατών μας χρησιμοποιώντας την online φόρμα επικοινωνίας ([www.bugaboo.com/support](http://www.bugaboo.com/support)).

Οι πληροφορίες που περιέχονται στο παρόν ενδέχεται να τροποποιηθούν χωρίς ειδοποίηση. Η Bugaboo International BV δεν φέρει ευθύνη για τεχνικά σφάλματα ή παραλείψεις που περιέχονται στο παρόν. Το αγορασθέν προϊόν ενδέχεται να διαφέρει από το προϊόν που περιγράφεται στις παρούσες οδηγίες χρήσης. Οι πλέον πρόσφατες οδηγίες χρήσης είναι διαθέσιμες από τα τμήματα εξυπηρέτησης της εταιρείας ή στην ιστοσελίδα [www.bugaboo.com](http://www.bugaboo.com).

© 2023 Bugaboo International BV. BUGABOO, BUGABOO CAMELEON, BUGABOO BEE, BUGABOO DONKEY, BUGABOO FOX, BUGABOO TURTLE, BUGABOO ANT, BUGABOO LYNX, BUGABOO STARDUST, BUGABOO BUTTERFLY, BUGABOO OWL, BUGABOO DRAGONFLY, BUGABOO GIRAFFE και τα λογότυπα της Bugaboo αποτελούν σύμβολα κατατεθέντα. Τα καρότια Bugaboo® καλύπτονται από δίπλωμα ευρεσιτεχνίας και προστασία α σχεδιασμού.

# Guía de la silla ergonómica

La silla y el reposapiés de la Bugaboo Giraffe pueden ajustarse sin ninguna herramienta, solo con un sencillo clic y deslizamiento.

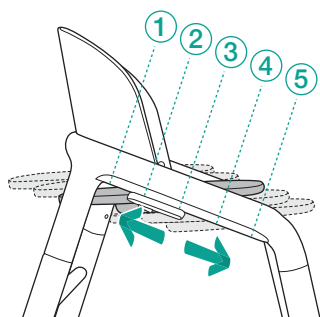
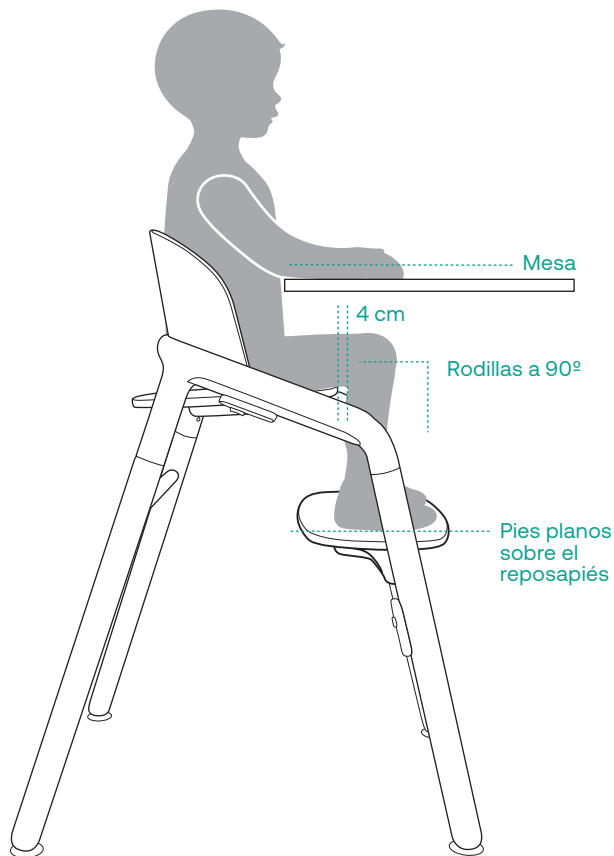
Una postura de silla ergonómica implica:

- Sentarse de forma erguida contra el respaldo
- Los codos tocando a la mesa
- Las rodillas dobladas en un ángulo de 90°
- Los pies planos sobre el reposapiés
- Un espacio (4 cm) entre las piernas y la silla para un mayor confort

*¡Ajusta la silla solo cuando tu pequeño no esté sentado en la misma!*

## Consejo

Si los pies ya tocan el suelo mientras está sentado, puedes ocultar el reposapiés deslizando a la posición más elevada para darle más espacio a las piernas.



## Posiciones de la silla

- ① 6 meses - 3 años  
con el pack de bebé Bugaboo Giraffe
- ②-⑤ 3- 14 años
- ⑤ + 14 años

El pack de recién nacido Bugaboo Giraffe se puede acoplar a la Bugaboo Giraffe sin importar la posición de la silla.



# Consejos de limpieza y mantenimiento

Revisa y haz el mantenimiento de forma rutinaria de tu producto Bugaboo.

Mantener el producto siempre limpio.

- Limpiar las piezas estructurales con una toalla suave y agua tibia, luego retirar el agua restante con un paño seco.
- El pack para bebé y la bandeja de la Bugaboo Giraffe se pueden lavar en el lavavajillas hasta 65°C.
- Por favor, ten cuidado con los alimentos de color; ya que puede afectar al color del pack de bebé y de la bandeja.

**IMPORTANTE:** Comprueba siempre la etiqueta de la funda antes del lavado.

- Todas las fundas se pueden lavar a máquina a 30°C
- Asegúrate que todos los cierres están fijados.
- Tras lavar el arnés, por favor, limpia la hebilla y los clips con un paño.

Algunos tipos de suelos pueden ser sensibles a la abrasión. Es la responsabilidad de cada usuario decidir si la Bugaboo Giraffe es adecuada para su suelo.

## ADVERTENCIAS y otra información para el uso

**IMPORTANTE – LEER LAS INSTRUCCIONES CUIDADOSAMENTE ANTES DEL USO Y MANTENERLAS PARA FUTURAS CONSULTAS.**

### PRODUCTO EN GENERAL

1. La Bugaboo Giraffe y todas sus piezas están pensadas para usar en interiores.
2. Utilice el producto únicamente cuando todos sus componentes estén correctamente fijados y ajustados.
3. Todos los accesorios de montaje siempre se deben ajustar correctamente.
4. Existe un riesgo al situar el producto cerca del fuego o de otras fuentes importantes de calor.
5. Existe riesgo de vuelco si el niño apoya los pies en una mesa o cualquier otra estructura.
6. **ADVERTENCIA:** No utilizar la silla si hay alguna pieza rota, rasgada o falta alguna pieza.
7. No utilizar accesorios o piezas de recambio que no sean las aprobadas por el fabricante.
8. Para evitar lesiones, mantén a los niños alejados cuando montes o desmontes la silla.
9. NO coloques nunca este producto cerca de una ventana ya el niño puede usarlo como un escalón y caerse por la ventana.
10. NO coloques nunca este producto cerca de una ventana dónde haya cuerdas de persianas o cortinas, que puedan estrangular a un niño
11. La silla sin los accesorios cumple con EN17191:202.

12. La silla sin accesorios es apta para niños de 3 a 14 años.
13. No uses la silla a modo de taburete.
14. Algunos tipos de suelos pueden ser sensibles a la abrasión. Es la responsabilidad de cada usuario decidir si la Bugaboo Giraffe es adecuada para su suelo.

### PARA USAR CON ACCESORIOS

15. No dejar nunca al niño desatendido.
16. Riesgo de caída: Evite que el niño trepe por el producto.
17. Usar siempre el sistema de retención
18. Deja de usar el pack para recién nacidos cuando el niño empiece a intentar sentarse.
19. No utilices la silla con el pack de bebé hasta que el niño pueda sentarse sin ayuda alguna.
20. La silla con el pack de bebé está pensada para niños que pueden sentarse sin ayuda y hasta 3 años o con un peso máximo de 15 kg, lo que ocurra primero.

## Garantía del fabricante

El fabricante, Bugaboo International BV, con domicilio social en Ámsterdam (en adelante: “Bugaboo”), suministra los productos Bugaboo bajo garantía. Las condiciones de garantía completas se pueden encontrar en [bugaboo.com](http://bugaboo.com). Si has comprado tu producto directamente a Bugaboo, puedes contactar con nuestro equipo de Atención al Cliente a través de nuestro formulario de contacto online ([www.bugaboo.com/support](http://www.bugaboo.com/support)). Si has comprado tu producto en unos de nuestros puntos de venta oficiales, primero contacta con tu punto de venta para presentar una reclamación bajo la garantía de este fabricante.

## Servicio de atención al cliente

Si tienes alguna pregunta, es posible que encuentres la respuesta en nuestro sitio web, [www.bugaboo.com](http://www.bugaboo.com). Si tienes que ponerte en contacto con nuestro equipo de atención al cliente, estaremos encantados de atenderte. Estamos disponibles para responder a cualquier pregunta, preocupación o comentario que puedas tener en relación con nuestros productos y servicios. No dudes en ponerte en contacto con nosotros. Tus comentarios nos ayudarán a mejorar aún más nuestros productos y servicios.

Puedes contactar con nuestro equipo de Atención al Cliente utilizando nuestro formulario de contacto online ([www.bugaboo.com/support](http://www.bugaboo.com/support)).

La información de estas instrucciones puede modificarse sin previo aviso. Bugaboo International BV no se hace responsable de los errores técnicos u omisiones que contengan. El producto adquirido puede diferir del descrito en esta guía del usuario. Puedes solicitar la guía del usuario más reciente a nuestros departamentos de atención al cliente o en [www.bugaboo.com](http://www.bugaboo.com).

© 2023 Bugaboo International BV. BUGABOO, BUGABOO CAMELEON, BUGABOO BEE, BUGABOO DONKEY, BUGABOO FOX, BUGABOO TURTLE, BUGABOO ANT, BUGABOO LYNX, BUGABOO STARDUST, BUGABOO BUTTERFLY, BUGABOO OWL, BUGABOO DRAGONFLY, BUGABOO GIRAFFE y los logotipos Bugaboo son marcas comerciales registradas. Los cochecitos de Bugaboo® están patentados y su diseño está protegido.

# Ergonoomilise istumise juhend

Istet Bugaboo Giraffe ja selle jalatuge saab reguleerida ilma tööriistadeta, piisab lihtsalt klõpsamisest ja libistamisest.

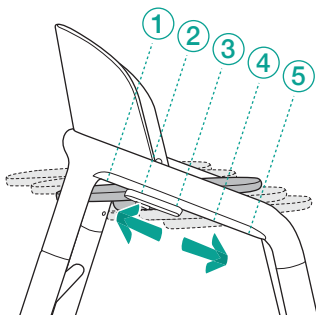
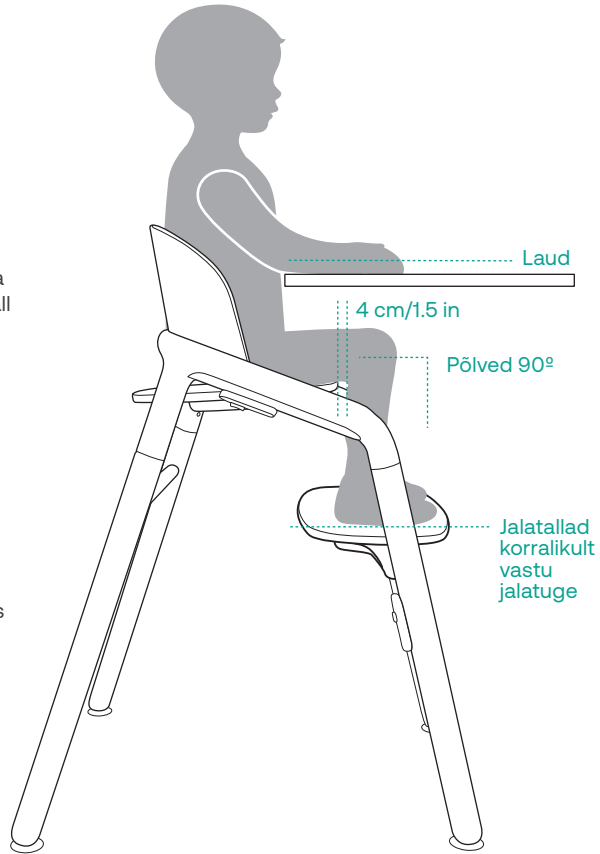
Ergonoomiline istumisasend tähendab:

- Istumine sirge seljaga vastu seljatuge
- Künarnukid puudutavad lauda
- Põlved kõverdatud 90° nurga all
- Jalatallad toetuvad korralikult vastu jalatuge
- Jalgade ja istme vahel on maksimaalse mugavuse tagamiseks veidi ruumi (4 cm)

*Reguleerige tooli ainult siis, kui sellel ei istuta!*

## Nõuanne

Kui jalad juba puudutavad istudes maad, saab jalatoe kõrgeimasse asendisse libistades rohkema jalaruumi saamiseks ära panna.



## Istme asendid

- 1 6 kuud - 3 aastat  
Bugaboo Giraffe beebikomplektiga
- 2-5 3-14 aastat
- 5 14+ aastat

Bugaboo Giraffe'i vastsündinu-komplekti saab toote Bugaboo Giraffe külge kinnitada olenemata sellest, mis asendis iste on.

# Puhastamise juhised

Kontrollige ja hooldage oma Bugaboo toodet korrapäraselt.

Hoidke toode kogu aeg puhtana.

- Puhastage riistvara osi pehme rätiku ja leige veega ning kuivatage liigne vesi kuiva lapiga.
- Bugaboo Giraffe'i beebikomplekt ja kandik on nõudepesumasinas pestavad kuni 65 °C juures.
- Olge värvilise toiduga ettevaatlik, sest see võib mõjutada beebikomplekti ja kandiku värvi.

**OLULINE:** enne pesemist kontrollige alati hooldussilti.

Kõik kangad on masinpestavad 30 °C juures.

- Veenduge, et kõik sulgurid oleksid kinnitatud.
- Pärast rihmade pesemist pühkige lukk ja selle klambrid lapiga üle.

Teatud tüüpi pörandad võivad olla hõõrdumistundlikud. Kasutaja vastutab selle eest, kas Bugaboo Giraffe sobib nende pörandakattel kasutamiseks.

## HOIATUSED ja muu kasutusala teave

**OLULINE: ENNE TOOTE KASUTAMIST LUGEGE NEID JUHISEID HOOLIKALT JA HOIDKE NEED EDASPIDISEKS ALLES.**

### TOOTEST ÜLDISELT

1. Bugaboo Giraffe ja selle osad on mõeldud kasutamiseks siseruumides.
2. Ärge kasutage toodet, kui kõik osad pole õigesti paigaldatud ja reguleeritud.
3. Kõiki ühenduselemente tuleb alati korralikult pingutada.
4. Olge teadlik lahtise tule ja muude kuumusallikate ohust toote läheduses.
5. Olge teadlik ümberkukkumisohtust, kui laps surub oma jalgu vastu lauda või mõnda muud eset.
6. HOIATUS! Ärge kasutage tooli, kui mõni selle osa on katki, rebenenud või kadunud.
7. Ärge kasutage muid tarvikuid või asendusosi, kui ainult neid, mis on tootja poolt heaks kiidetud.
8. Vigastuste vältimiseks hoidke lapsed tooli kokkupanemisel ja lahtivõtmisel eemal.
9. ÄRGE asetage seda toodet akna lähedusse, kuna laps võib kasutada seda astmena ja aknast välja kukkuda.
10. ÄRGE asetage seda toodet akna lähedusse, kus ruloode või kardinate nõõrid võivad last kähkistada.
11. Lisatarvikuteta tool vastab standardile EN17191:2021.
12. Lisatarvikuteta tool sobib lapsele vanuses 3 kuni 14 eluaastat.
13. Ärge kasutage tooli astmelauana.
14. Teatud tüüpi pörandad võivad olla hõõrdumistundlikud. Kasutaja vastutab selle eest, kas Bugaboo Giraffe sobib nende pörandakattel kasutamiseks.

## KASUTAMISEKS KOOS LISATARVIKUTEGA

15. Ärge jätke last kunagi järelevalveta.
16. KUKKUMISOHT: ärge laske oma lapsel tootele ronida.
17. Kasutage alati kinnitussüsteemi.
18. Lõpetage vastsündinukomplekti kasutamine, kui laps hakkab istukile tõusma.
19. Ärge kasutage tooli koos beebikomplektiga enne, kui laps on võimeline iseseisvalt istuma.
20. Beebikomplektiga tool on mõeldud lastele, kes suudavad iseseisvalt istuda ja on kuni 3-aastased või kaaluvad kuni 15 kg, olenevalt sellest, kumb saabub varem.

## Tootja garantii

Tootja Bugaboo International BV (edaspidi “Bugaboo”), kelle peamine tegevuskoht on Amsterdamis, tarnib Bugaboo toodet garantii alusel. Täielikud garantiitingimused leiате veebisaidilt [bugaboo.com](http://bugaboo.com). Kui ostate oma toote otse ettevõttelt Bugaboo, saate meie klienditeenindusega ühendust veebi kontaktvormi kaudu ([www.bugaboo.com/support](http://www.bugaboo.com/support)). Kui ostate oma toote ühest meie ametlikust esindusest, võtke esmalt ühendust edasimüüjaga, et esitada kaebus selle tootja garantii alusel.

## Klienditeenindus

Kui teil on küsimusi, siis võite vastuse leida meie veebilehelt [www.bugaboo.com](http://www.bugaboo.com). Kui teil on vaja võtta ühendust meie rahvusvahelis teenindustiimiga, siis aitame teid alati hea meelega. Oleme valmis vastama teie küsimustele, probleemidele ja märkustele, mis teil võib meie toodete ja teenuste kohta tekkida. Võtke meiega julgelt ühendust. Teie tagasiside aitab meil oma tooteid ja teenuseid veel täiustada.

Meie klienditeenindustiimiga saate võtta ühendust veebi kontaktvormi kaudu ([www.bugaboo.com/support](http://www.bugaboo.com/support)).

# Opas ergonomiseen istuma-asentoon

**Bugaboo Giraffe -istuimen ja sen jalkatuen asentoa voi muuttaa ilman työkaluja. Naksauta se irti ja liu'uta haluamaasi kohtaan.**

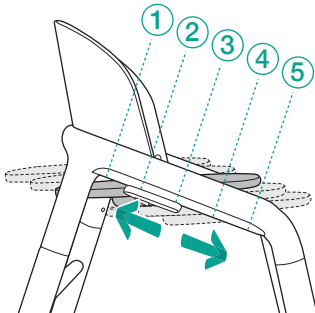
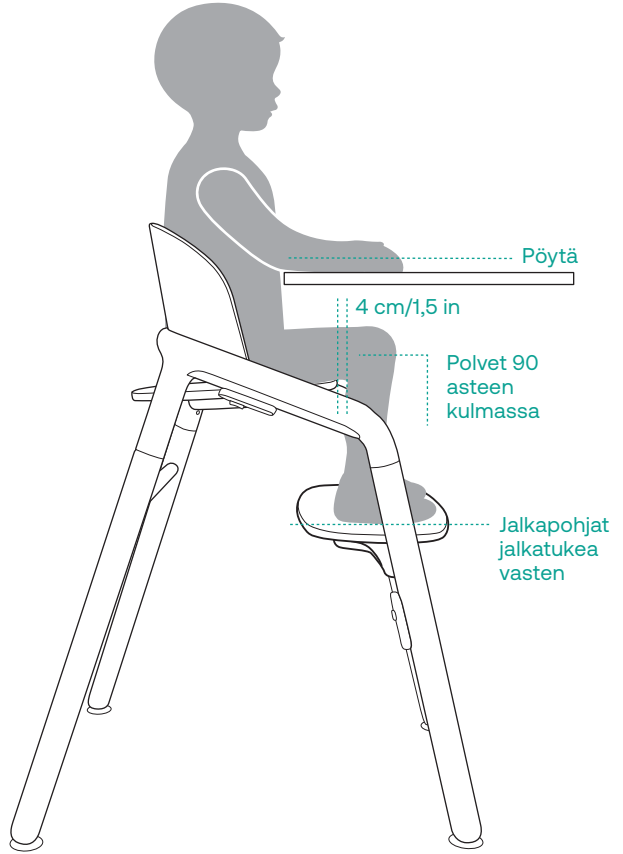
Ergonominen istuma-asento tarkoittaa:

- Lapsi istuu suorana selkänojaa vasten
- Kyynärpäät koskevat pöytää
- Polvet ovat 90 asteen kulmassa
- Jalkapohjat ovat jalkatukea vasten
- Jalkojen ja istuimen väliin jää tilaa (4 cm/1,5 in), jotta istumamukavuus on paras mahdollinen

*Muuta istuimen tai jalkatuen asentoa vain, kun kukaan ei istu tuolissa!*

## Vinkki

Jos jalat koskettavat lattiaa istuessa, voit piilottaa jalkalaudan työntämällä sen korkeimpaan asentoon ja luoda samalla lisää jalkatilaa.



## Istuimen asennot

- ① 6 kuukaudesta 3 vuoteen  
Bugaboo Giraffe baby -setin kanssa
- ②-⑤ 3-14 vuotta
- ⑤ 14+ vuotta

Bugaboo Giraffe newborn -setti voidaan kiinnittää Bugaboo Giraffeen istuimen asennosta riippumatta.

# Vinkkejä puhdistukseen ja kunnossapitoon

Tarkasta ja huolla Bugaboo-tuotteesi säännöllisesti.

Pidä tuote aina puhtaana.

- Puhdista tuotteen osat pehmeällä pyyhkeellä ja kädenlämpimällä vedellä ja pyyhi jäljelle jäävä vesi kuivalla liinalla.
- Bugaboo Giraffe -vauvasarja ja -tarjotin voidaan pestä astianpesukoneessa enintään 65°C lämpötilassa.
- Käsittele värikästä ruokaa varoen; sen väri voi tarttua babysset-lisäosaan ja tarjottimeen.

**TÄRKEÄÄ:** Tarkista aina pesumerkinnät ennen pesua.

- Kaikki tekstiilit kestävä 30°C konepesun.
- Varmista, että kaikki sulkimet ovat kiinni.
- Pestyäsi valjaat pyyhi solki ja sen kiinnikkeet pyyhkeellä.

Tietynlaiset lattiat voivat kulua herkästi. Käyttäjän vastuulla on päättää, sopiiko Bugaboo Giraffe hänen lattialleen.

## VAROITUKSET ja muuta käyttötietoa

**TÄRKEÄÄ — LUE OHJEET HUOLELLISESTI ENNEN KÄYTTÖÄ JA SÄILYTÄ NE TULEVAAN KÄYTTÖÄ VARTEN.**

### TUOTE YLEISESTI

1. Bugaboo Giraffe ja sen osat on tarkoitettu sisäkäyttöön.
2. Tuolia saa käyttää vain asianmukaisesti kootuna.
3. Kaikki kokoonpanon kiinnikekohdat on kiristettävä kunnolla.
4. Huomioi riskit, joita liittyy tuolin sijoittamiseen avotulen tai muiden voimakkaiden lämmönlähteiden läheisyyteen.
5. Kaatumisvaara: Tuoli saattaa kaatua, jos lapsi yletty työntämään jalkansa pöytää tai vastaavaa kiinteää esinettä vasten.
6. VAROITUS: Älä käytä tuolia, jos yksikään sen osa on rikki, revennyt tai kadonnut.
7. Älä käytä muita kuin valmistajan hyväksymiä lisävarusteita tai vaihto-osia.
8. Loukkaantumisten välttämiseksi pidä lapset kaukana, kun kokoat tai purat tuolia.
9. ÄLÄ aseta tätä tuotetta ikkunan lähelle, sillä lapsi saattaa nousta sen päälle ja pudota ikkunasta.
10. ÄLÄ aseta tätä tuotetta ikkunan lähelle, jossa verhojen tai sälekaih dinten narut voivat kuristaa lapsen.
11. Tuoli ilman lisävarusteita on yhdenmukainen standardin EN17191:2021 kanssa.

12. Tuoli ilman lisävarusteita sopii 3–14-vuotiaille lapsille.
13. Älä käytä tuolia jakkarana.
14. Tietynlaiset lattiat voivat kulua herkästi. Käyttäjän vastuulla on päättää, sopiiko Bugaboo Giraffe hänen lattialleen.

### LISÄVARUSTEIDEN KANSSA KÄYTETTYNÄ

15. Älä koskaan jätä lasta ilman valvontaa
16. Putoamisvaara: Pidä huolta, ettei lapsi yritä kiivetä tuoliin.
17. Käytä aina turvavaljaita
18. Lopeta vastasyntyneen sarjan käyttö siinä vaiheessa, kun lapsi pyrkii istumaan.
19. Käytä tuolia vauvasarjan kanssa vasta, kun lapsi kykenee istumaan ilman apua.
20. Vauvasarjalla varustettu tuoli on tarkoitettu lapsille, jotka kykenevät istumaan ilman apua ja enintään 3-vuotiaille tai enintään 15 kg painaville lapsille, kumpi tapahtuu ensin.

## Valmistajan takuu

Valmistaja, Bugaboo International BV (”Bugaboo”), jonka päätoimipaikka on Amsterdamissa, toimittaa takuun alaisen Bugaboo-tuotteen. Täydet takuehdot ovat sivustolla [bugaboo.com](http://bugaboo.com). Jos olet ostanut tuotteesi suoraan Bugaboolta, voit ottaa yhteyden asiakastukitiimiimme verkkolomakkeella ([www.bugaboo.com/support](http://www.bugaboo.com/support)). Jos olet ostanut tuotteesi virallisesta myyntipisteestämme, ota ensin yhteyttä jälleenmyyjäsi ja esitä valmistajan tämän takuun mukainen vaatimus.

## Asiakaspalvelu

Jos sinulla on kysyttävää, lisätietoja on sivustossamme [www.bugaboo.com](http://www.bugaboo.com). Jos haluat ottaa yhteyttä kansainväliseen huoltotiimiimme, autamme sinua mielellämme! Vastaamme kaikkiin tuotteitamme ja palveluitamme koskeviin kysymyksiin ja palautteeseen. Älä siis epäröi ottaa yhteyttä. Palautteesi auttaa meitä kehittämään tuotteitamme ja palveluitamme.

Voit ottaa yhteyden asiakastukitiimiimme verkkolomakkeellamme ([www.bugaboo.com/support](http://www.bugaboo.com/support)).

Tässä asiakirjassa esitettyjä tietoja voidaan muuttaa ilman erillistä ilmoitusta. Bugaboo International BV ei vastaa asiakirjassa olevista teknisistä virheistä tai puutteista. Ostettu tuote voi poiketa käyttöoppaassa kuvatusta tuotteesta. Uusimmat käyttöoppaat ovat pyynnöstä saatavilla palveluosastoltamme tai osoitteessa [www.bugaboo.com](http://www.bugaboo.com).

© 2023 Bugaboo International BV. BUGABOO, BUGABOO CAMELEON, BUGABOO BEE, BUGABOO DONKEY, BUGABOO FOX, BUGABOO TURTLE, BUGABOO ANT, BUGABOO LYNX, BUGABOO STARDUST, BUGABOO BUTTERFLY, BUGABOO OWL, BUGABOO DRAGONFLY, BUGABOO GIRAFFE ja Bugaboo-logot ovat rekisteröityjä tavaramerkkejä. Bugaboo®-lastenvaunut on patentoituja ja ne on suojattu mallioikeudella.



# Guide pour siège ergonomique

**Le siège et le repose-pieds du Bugaboo Giraffe sont réglables sans aucun outil : un cliqué-glissé suffit.**

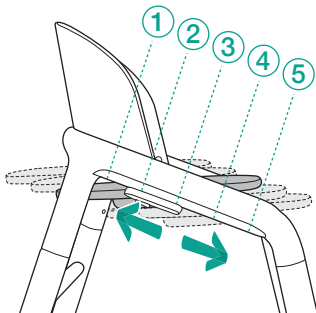
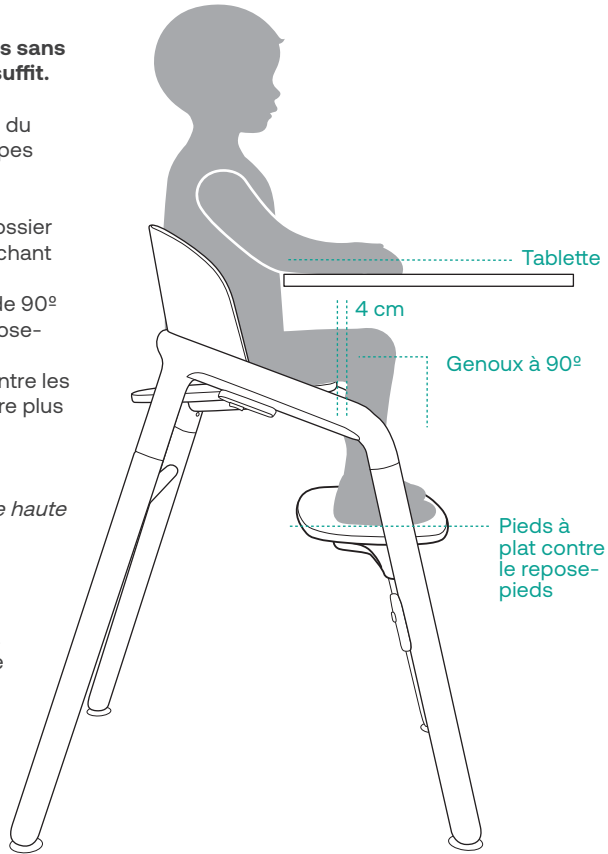
Pour une position ergonomique du siège, veuillez respecter les étapes suivantes :

- Une assise droite contre le dossier
- Une position des coudes touchant la tablette
- Les genoux pliés à un angle de 90°
- Les pieds à plat contre le repose-pieds
- Un espace (d'environ 4 cm) entre les jambes et le siège pour encore plus de confort

*Veuillez toujours régler la chaise haute à vide !*

## Conseil

Si les pieds touchent déjà le sol en position assise, vous pouvez camoufler le repose-pieds en le faisant glisser dans la position la plus haute afin d'augmenter l'espace pour les jambes.



## Positions du siège

- ① 6 mois - 3 ans  
avec le kit bébé Bugaboo Giraffe
- ②-⑤ 3 - 14 ans
- ⑤ 14 ans et +

Le kit nouveau-né Bugaboo Giraffe peut être fixé à la Bugaboo Giraffe quelle que soit la position du siège.

# Conseils d'entretien

Inspectez et entretenez régulièrement votre produit Bugaboo.

Toujours garder le produit propre.

- Nettoyez les pièces avec un chiffon doux et de l'eau tiède puis séchez-les avec un chiffon sec.
- Le kit et la tablette pour bébé Bugaboo Giraffe passent au lave-vaisselle jusqu'à 65°C.
- Veuillez faire attention aux aliments colorés ; la couleur du transat et de la tablette peut en être affectée.

**IMPORTANT:** Toujours vérifier l'étiquette d'entretien avant lavage.

- Tous les tissus sont lavables en machine à 30°C
- S'assurer que toutes les fermetures sont attachées.
- Après avoir nettoyé le harnais, veuillez essuyer la boucle et ses clips avec un chiffon doux.

Certains types de sols peuvent être vulnérables à l'abrasion. Il incombe à l'utilisateur de décider si la Bugaboo Giraffe convient à son revêtement de sol.

## AVERTISSEMENTS et autres informations d'utilisation

**IMPORTANT — READ THESE INSTRUCTIONS CAREFULLY BEFORE USE AND KEEP FOR FUTURE REFERENCE.**

### PRODUIT EN GÉNÉRAL

1. La Bugaboo Giraffe et ses composants sont destinés à être utilisés à l'intérieur.
2. Ne pas utiliser le produit tant que tous les éléments ne sont pas correctement ajustés et réglés.
3. Tous les raccords d'assemblage doivent toujours être serrés correctement.
4. Ne pas placer le produit à proximité d'une cheminée ou de toute source de chaleur importante pour éviter les risques de brûlure.
5. Risque de basculement si l'enfant a la possibilité d'appuyer ses pieds contre une table ou tout autre élément.
6. **AVERTISSEMENT:** N'utilisez pas la chaise haute si une pièce est cassée, abîmée ou manquante.
7. N'utilisez pas d'accessoires ou de pièces de rechange autres que celles approuvées par le fabricant.
8. Pour éviter les blessures, tenez les enfants éloignés lors du montage et du démontage de la chaise haute.
9. NE PAS placer ce produit près d'une fenêtre car l'enfant pourrait s'en servir comme marchepied et tomber par la fenêtre.
10. NE JAMAIS placer le produit à proximité d'une fenêtre où les cordons de stores ou de rideaux pourraient étrangler un enfant.
11. La chaise sans accessoires est conforme à la norme EN17191:2021.
12. La chaise sans accessoires convient à un enfant entre 3 à 14 ans.
13. N'utilisez pas la chaise haute comme marche-pieds.

14. Certains types de sols peuvent être vulnérables à l'abrasion. Il incombe à l'utilisateur de décider si la Bugaboo Giraffe convient à son revêtement de sol.

## À UTILISER AVEC NOS ACCESSOIRES

15. Ne jamais laisser votre enfant sans surveillance
16. Risque de chute: empêcher l'enfant de grimper sur le produit.
17. Toujours utiliser le système de retenue.
18. Cesser d'utiliser le kit nouveau-né lorsque l'enfant commence à essayer de se redresser.
19. N'utilisez pas la chaise haute avec le kit bébé avant que l'enfant puisse s'asseoir tout seul.
20. La chaise haute avec kit bébé est destinée aux enfants capables de s'asseoir tout seuls et jusqu'à 3 ans ou un poids maximum de 15 kg, selon la première occurrence.

## Garantie du fabricant

En sa qualité de fabricant, Bugaboo International BV, (« Bugaboo »), dont le siège se situe à Amsterdam, fournit les produits Bugaboo sous garantie. Les conditions de garantie complètes peuvent être trouvées sur [bugaboo.com](http://bugaboo.com). Si vous avez acheté le produit directement auprès de Bugaboo, vous pouvez contacter notre équipe du Service clientèle en utilisant notre formulaire de contact en ligne ([www.bugaboo.com/support](http://www.bugaboo.com/support)). Si vous avez acheté votre produit auprès de l'un de nos revendeurs officiels, contactez d'abord votre revendeur pour déposer une réclamation au titre de la garantie du fabricant.

## Service client

Si vous avez une question, vous trouverez peut-être la réponse sur notre site Web [www.bugaboo.com](http://www.bugaboo.com). Si vous avez besoin de contacter notre service client international, nous sommes à votre écoute ! Nous sommes à votre disposition pour répondre à vos questions, vos inquiétudes ou vos commentaires concernant nos produits et services. N'hésitez pas à nous contacter. Vos commentaires nous permettent d'améliorer nos produits et services.

Vous pouvez contacter notre Service clientèle en utilisant notre formulaire de contact en ligne ([www.bugaboo.com/support](http://www.bugaboo.com/support)).

# Ergonomski vodič za sjedenje

**Sjedalo i oslonac za noge Bugaboo Giraffe mogu se podesiti bez ikakvog alata, samo jednim klikom i klizanjem.**

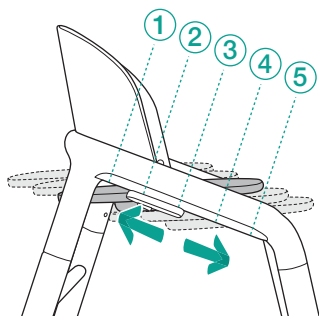
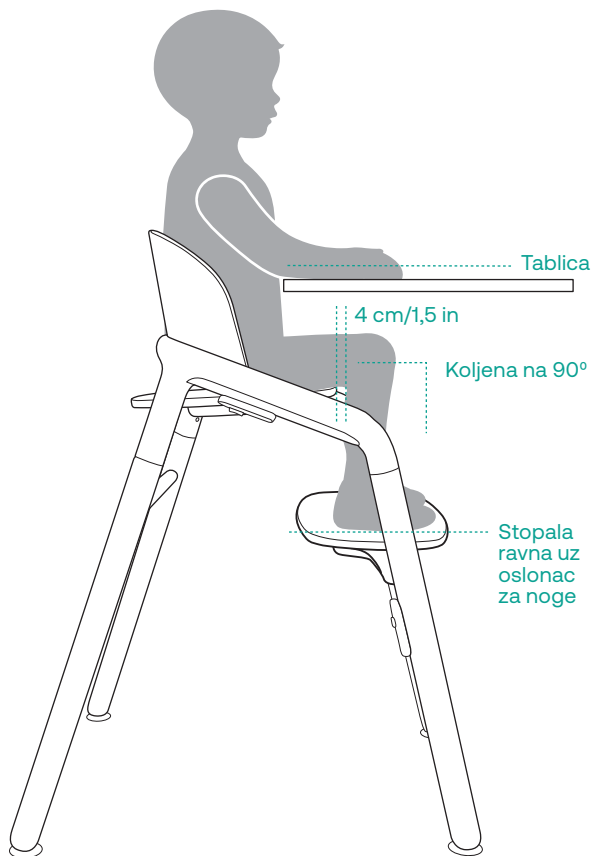
Ergonomski položaj sjedenja znači:

- Sjedeći uspravno uz naslon
- Laktovi koji dodiruju stol
- Koljena savijena pod kutom od 90°
- Stopala ravna uz oslonac za noge
- Prostor (4 cm/1,5 in) između nogu i sjedala za maksimalnu udobnost

*Namjestite stolicu samo kada na njoj nitko ne sjedi!*

## Savjet

Ako stopala već dodiruju tlo dok sjedite, oslonac za noge možete sakriti pomicanjem u najviši položaj kako biste stvorili više prostora za noge.



## Položaji sjedala

- 1 6 mjeseci-3 godine s Bugaboo Giraffe dječjim setom
- 2-5 3-14 godina
- 5 14+ godina

Bugaboo Giraffe set za novorođenčce može se pričvrstiti na Bugaboo Giraffe bez obzira na položaj u kojem je sjedalo.

# Upute za čišćenje

Redovito provjeravajte i održavajte svoj Bugaboo proizvod.

Držite proizvod uvijek čistim.

- Očistite hardverske dijelove mekim ručnikom i mlakom vodom i obrišite preostalu vodu suhom krpom.
- Bugaboo Giraffe dječji set i poslužavnik mogu se prati u perilici posuđa do 65°C/149 F.
- Budite oprezni s obojenom hranom; to može utjecati na boju dječjeg seta i poslužavnika.

**VAŽNO:** Prije pranja uvijek provjerite naljepnicu za njegu.

Sve tkanine mogu se prati u perilici rublja na 30°C/86 F.

- Provjerite jesu li svi zatvarači pričvršćeni.
- Nakon pranja pojasa, obrišite kopču i njegove kopče krpom.

Određene vrste podova mogu biti osjetljive na habanje. Odgovornost je korisnika da odluči je li Bugaboo Giraffe prikladan za njihov pod.

## UPOZORENJA i druge informacije o korištenju

**VAŽNO — PAŽLJIVO PROČITAJTE OVE UPUTE PRIJE UPORABE I SAČUVAJTE ZA BUDUĆU UPORABU.**

### PROIZVOD OPĆENITO

1. Bugaboo Giraffe i njegove komponente namijenjene su za korištenje u zatvorenom prostoru.
2. Nemojte koristiti proizvod ako sve komponente nisu ispravno postavljene i podešene.
3. Svi montažni spojevi moraju uvijek biti pravilno zategnuti.
4. Budite svjesni rizika od otvorene vatre i drugih izvora jake topline u blizini proizvoda.
5. Budite svjesni rizika od naginjanja kada vaše dijete može gurnuti stopala o stol ili bilo koju drugu strukturu.
6. UPOZORENJE: Ne koristite stolicu ako je bilo koji dio slomljen, poderan ili nedostaje.
7. Nemojte koristiti pribor ili zamjenske dijelove osim onih koje je odobrio proizvođač.
8. Kako biste izbjegli ozljede, držite djecu podalje kada sastavljate ili rastavljate stolicu.
9. NE stavljajte ovaj proizvod blizu prozora jer ga dijete može koristiti kao stepenicu i uzrokovati da dijete ispadne kroz prozor.
10. NEMOJTE stavljati ovaj proizvod blizu prozora gdje bi užad s roleta ili zavjesa mogla zadaviti dijete.
11. Stolica bez dodatka je u skladu s normom EN17191:2021.
12. Stolica bez dodatka je primjerena za dijete od 3 do 14 godina.
13. Nemojte koristiti stolicu kao stepenicu.

14. Određene vrste podova mogu biti osjetljive na habanje. Odgovornost je korisnika da odluči je li Bugaboo Giraffe prikladan za njihov pod.

### **ZA KORIŠTENJE S DODATNOM OPREMOM**

15. Nikada ne ostavljajte dijete bez nadzora.  
 16. **OPASNOST OD PADA:** Spriječite svoje dijete da se popne na proizvod.  
 17. Uvijek koristite sigurnosni sustav.  
 18. Prestanite upotrebljavati komplet za novorođenče kada dijete počne pokušavati sjesti.  
 19. Nemojte koristiti stolicu sa setom za bebe sve dok dijete ne može sjediti samo.  
 20. Stolica sa setom za bebe namijenjena je djeci koja mogu samostalno sjediti do 3 godine ili maksimalne težine od 15 kg, što god nastupi prije.

## **Jamstvo proizvođača**

Za sve pojedinosti o jamstvu posjetite [bugaboo.com](http://bugaboo.com). Ako ste proizvod kupili izravno od Bugabooa (trgovina robne marke ili [bugaboo.com](http://bugaboo.com)), obratite se Bugaboou radi jamstvenih zahtjeva. Ako ste proizvod kupili preko jednog od naših službenih prodavača, kontaktirajte ih za informacije o jamstvu i zahtjeve.

## **Službu**

Ako imate pitanje, možda ćete moći pronaći odgovor na našoj web stranici [www.bugaboo.com](http://www.bugaboo.com). Ako trebate kontaktirati naš međunarodni servisni tim, uvijek ćemo vam se rado javiti! Dostupni smo za sva pitanja, nedoumice ili komentare koje imate u vezi s našim proizvodima i uslugama. Nemojte se ustručavati kontaktirati nas. Vaše povratne informacije pomažu nam da dodatno poboljšamo naše proizvode i usluge.

Možete kontaktirati naš tim za korisničku podršku koristeći naš online kontakt obrazac ([www.bugaboo.com/support](http://www.bugaboo.com/support)).

Ovdje sadržane informacije podložne su promjenama bez prethodne najave. Bugaboo International BV neće biti odgovoran za tehničke pogreške ili propuste koje su ovdje sadržane. Kupljeni proizvod može se razlikovati od proizvoda opisanog u ovom korisničkom priručniku. Najnovije korisničke vodiče možete zatražiti u našim servisnim odjelima ili na [www.bugaboo.com](http://www.bugaboo.com).  
 © 2023 Bugaboo International BV. BUGABOO, BUGABOO CAMELEON, BUGABOO BEE, BUGABOO DONKEY, BUGABOO FOX, BUGABOO TURTLE, BUGABOO ANT, BUGABOO LYNX, BUGABOO STARDUST, BUGABOO BUTTERFLY, BUGABOO OWL, BUGABOO DRAGONFLY, BUGABOO GIRAFFE i Bugaboo logotipi registrirani su zaštitni znaci. Bugaboo® kolica su patentirana i njihov dizajn je zaštićen.

# Ergonomski vodič za sjedenje

**Sjedalo i oslonac za noge Bugaboo Giraffe mogu se podesiti bez ikakvog alata, samo jednim klikom i klizanjem.**

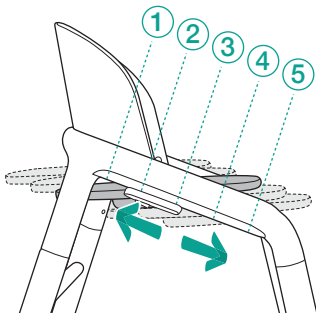
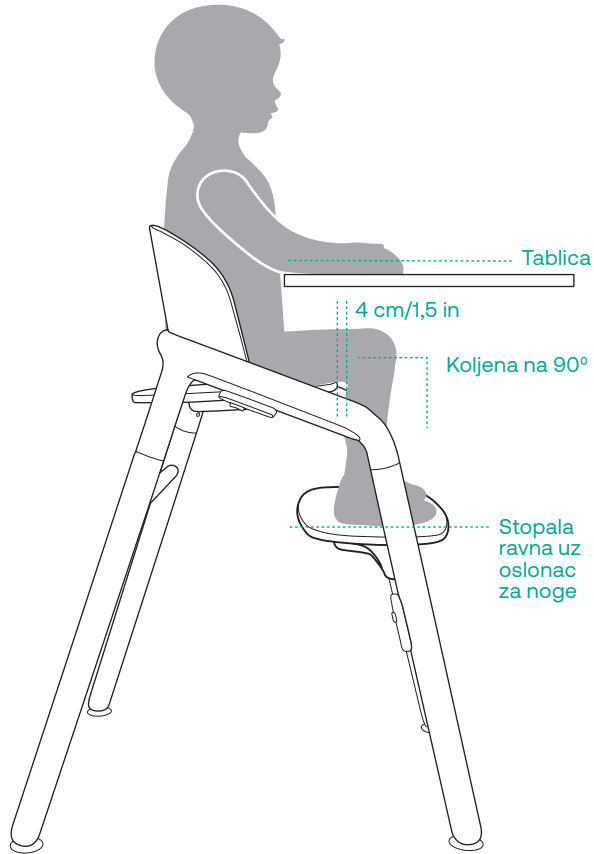
Ergonomski položaj sjedenja znači:

- Sjedeći uspravno uz naslon
- Laktovi koji dodiruju stol
- Koljena savijena pod kutom od 90°
- Stopala ravna uz oslonac za noge
- Prostor (4 cm/1,5 in) između nogu i sjedala za maksimalnu udobnost

*Namjestite stolicu samo kada na njoj nitko ne sjedi!*

## Savjet

Ako stopala već dodiruju tlo dok sjedite, oslonac za noge možete sakriti pomicanjem u najviši položaj kako biste stvorili više prostora za noge.



## Položaji sjedala

- 1 6 mjeseci-3 godine s Bugaboo Giraffe dječjim setom
- 2-5 3-14 godina
- 5 14+ godina

Bugaboo Giraffe set za novorođenče može se pričvrstiti na Bugaboo Giraffe bez obzira na položaj u kojem je sjedalo.

# Tisztítási utasítások

Rendszeresen ellenőrizze és tartsa karban Bugaboo termékét.

Mindig tartsa tisztán a terméket.

- A vázat és az alkatrészeket tisztítsa puha törülközővel és langyos vízzel, majd száraz ruhával törölje le róla a maradék vizet.
- A Bugaboo Giraffe babakészlet és tálcá 65°C/149 F-ig mosogatógépben tisztítható.
- Kérjük, legyen óvatos a színes ételekkel, mert azok elszínezhetik a babaszettet és a tálcát.

**FONTOS:** Mosás és tisztítás előtt mindig ellenőrizze az anyag címkéjét.

Minden szövet mosógépben mosható 30°C/86 F-on.

- Győződjön meg róla, hogy minden záróelem be van-e zárva.
- A heveder kimosása után, kérjük, törölje át a csatot és a kapcsokat egy ruhával.

Bizonyos típusú padlófelületek könnyen megsérülnek. A felhasználó felelőssége eldönteni, hogy a Bugaboo Giraffe alkalmas-e az adott padlón történő használatra.során.

## FIGYELMEZTETÉSEK és egyéb használati információk

**FONTOS - HASZNÁLAT ELŐTT FIGYELMESEN OLVASSA EL EZT A HASZNÁLATI ÚTMUTATÓT, ÉS ŐRIZZE MEG KÉSŐBBI FELHASZNÁLÁSRA.**

### A TERMÉKRŐL ÁLTALÁBAN

1. A Bugaboo Giraffe és annak részei beltéri használatra készültek.
2. Ne használja a terméket, amíg az összes eleme nincs megfelelően felszerelve és beállítva.
3. Minden szerelvényt mindig megfelelően meg kell húzni.
4. Ne feledje, hogy a termék közelében a nyílt tűz és más erős hőforrások balesetveszélyt jelentenek.
5. A termék megbillentése vagy döntése balesetveszélyes, mert a gyermek lába az asztalhoz vagy más szerkezethez nyomódhat.
6. FIGYELMEZTETÉS: Ne használja a széket, ha annak bármelyik része eltört, deformálódott vagy hiányzik.
7. Csak a gyártó által jóváhagyott tartozékokat vagy cserealkatrészeket használjon.
8. A sérülések elkerülése érdekében tartsa távol a gyermekeket a szék össze- vagy szétszerelésekor.
9. NE helyezze ezt a terméket ablak közelébe, mert a gyermek felmászhat rajta és kieshet az ablakon.
10. NE helyezze ezt a terméket olyan ablak közelébe, ahol a redőny- vagy függönyzsinórok megfojthatják a gyermeket.
11. A szék tartozékok nélkül megfelel az EN17191:2021 szabványnak.
12. A szék tartozékok nélkül 3 és 14 év közötti gyermek számára alkalmas.
13. Ne használja a széket fellépőként.



14. Bizonyos típusú padlófelületek könnyen megsérülnek. A felhasználó felelőssége eldönteni, hogy a Bugaboo Giraffe alkalmas-e az adott padlón történő használatra.

### HASZNÁLAT TARTOZÉKOKKAL

15. Soha ne hagyja felügyelet nélkül a gyermeket.  
16. **ESÉSVESZÉLY:** Ne engedje, hogy a gyermeke felmásszon a termékre.  
17. Mindig használja a rögzítőrendszert.  
18. Hagyja abba a termék használatát, amikor a gyermek megpróbál felállni.  
19. Ne használja a székét a babaszettel, amíg a gyermek nem tud önállóan felülni.  
20. A székét a babaszettel önállóan ülni tudó gyermekek használhatják legfeljebb 3 éves korig vagy 15 kg testtömegig, attól függően, hogy melyik következik be előbb.

## Gyártói garancia

A gyártó, a Bugaboo International BV, amelynek székhelye Amszterdamban található (a továbbiakban „Bugaboo”), a Bugaboo termékekre garanciát vállal. A részletes garanciális feltételek megtalálhatók a bugaboo.com oldalon. Ha Ön a terméket közvetlenül a Bugaboo-tól vásárolta, az ügyfélszolgálatunkkal az online kapcsolatfelvételi űrlapunkon keresztül ([www.bugaboo.com/support](http://www.bugaboo.com/support)) léphet kapcsolatba. Ha a terméket hivatalos értékesítési pontjaink egyikén vásárolta, a garanciaigény benyújtásához először forduljon a kiskereskedőhöz.

## Ügyfélszolgálat

Ha kérdése van, a választ valószínűleg megtalálhatja a [www.bugaboo.com](http://www.bugaboo.com) weboldalunkon. Ha nemzetközi szervizcsapatunkhoz kíván fordulni, mindig örömmel fogadjuk a megkeresését! Készséggel válaszolunk a termékeinkkel és szolgáltatásainkkal kapcsolatban esetleg felmerülő minden kérdésére, aggodalmára vagy észrevételére. Ne habozzon kapcsolatba lépni velünk, a visszajelzései segítenek a termékeink és szolgáltatásaink további fejlesztésében.

Ügyfélszolgálati munkatársainkkal az online kapcsolatfelvételi űrlapunkon keresztül ([www.bugaboo.com/support](http://www.bugaboo.com/support)) léphet kapcsolatba.

Az itt megadott információk előzetes értesítés nélkül változhatnak. A Bugaboo International BV nem vállal felelősséget az esetleges technikai hibákért vagy kihagyásokért. A megvásárolt termék eltérhet a jelen használati útmutatóban leírt terméktől. A legfrissebb felhasználói kézikönyveinket megkaphatja a szervizünkben vagy megtalálja a [www.bugaboo.com](http://www.bugaboo.com) oldalon.  
© 2023 Bugaboo International BV. BUGABOO, BUGABOO CAMELEON, BUGABOO BEE, BUGABOO DONKEY, BUGABOO FOX, BUGABOO TURTLE, BUGABOO ANT, BUGABOO LYNX, BUGABOO STARDUST, BUGABOO BUTTERFLY, BUGABOO OWL, BUGABOO DRAGONFLY, BUGABOO GIRAFFE és a Bugaboo logók bejegyzett védjegyek. A Bugaboo® babakocsi szabadalmi és formatervezési védelem alatt állnak.

# Guida alla seduta ergonomica

La seduta e il poggipiedi del Bugaboo Giraffe possono essere regolati senza attrezzi, con un semplice clic e scorrimento.

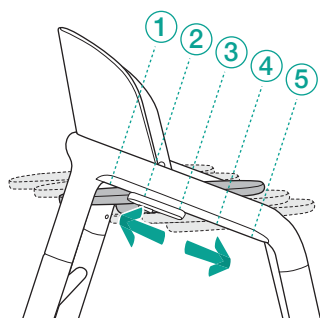
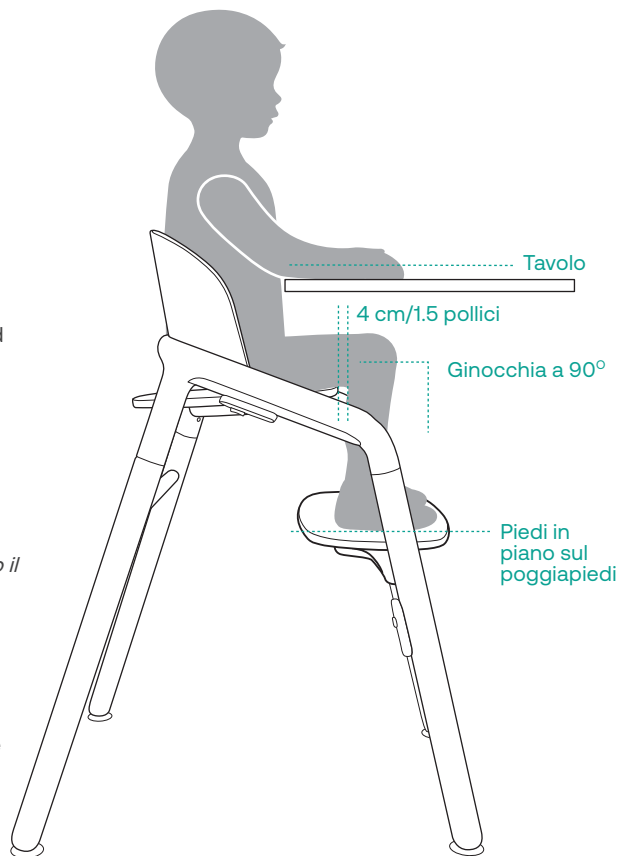
Una posizione di seduta ergonomica significa:

- Sedersi in posizione eretta contro lo schienale
- I gomiti toccano il tavolo
- Le ginocchia sono piegate ad un angolo di 90°
- I piedi sono in piano sul poggipiedi
- Spazio (4 cm/1,5 in) tra le gambe e la seduta per il massimo comfort

*Regolare la seduta solo quando il bambino non è seduto sopra!*

## Suggerimento

Se i piedi toccano già il suolo quando il bambino è seduto, è possibile nascondere il poggipiedi facendolo scorrere nella posizione più alta per creare più spazio per le gambe.



## Posizioni della seduta

- ① 6 mesi-3 anni  
con il set per bambini Bugaboo Giraffe
- ②-⑤ 3-14 anni
- ⑤ 14+ anni

Il set neonato Bugaboo Giraffe può essere fissato al Bugaboo Giraffe indipendentemente dalla posizione della seduta.

# Suggerimenti per la pulizia e la manutenzione

spezionare regolarmente e prenditi cura del tuo prodotto Bugaboo.

Mantenere il prodotto sempre pulito.

- Puoi pulire la struttura con un panno umido e acqua tiepida, poi asciugare con un panno.
- Il seggiolone Bugaboo Giraffe e il vassoio sono lavabili in lavastoviglie a temperature fino a 65°C.
- Fai attenzione con il cibo colorato; il colore del set per neonato e il vassoio potrebbero risentirne.

**IMPORTANTE:** Controllare sempre l'etichetta presente sul tessuto prima di lavare.

- Tutti i tessuti sono lavabili in lavatrice a 30°C
- Accertati che tutte le chiusure siano ben salde.
- Dopo aver lavato la cintura di sicurezza, pulire la fibbia e le clip con un panno.

Alcuni tipi di pavimenti potrebbero essere sensibili all'abrasione. Decidere se Bugaboo Giraffe sia adatto o meno al proprio pavimento è responsabilità dell'utilizzatore.

## AVVERTENZE e altre informazioni per l'uso

**IMPORTANTE - LEGGERE ATTENTAMENTE LE ISTRUZIONI PRIMA DELL'USO E CONSERVARLE PER RIFERIMENTO FUTURO.**

### PRODOTTO IN GENERALE

1. Bugaboo Giraffe e i suoi componenti sono stati concepiti per essere usati al chiuso.
2. Non utilizzare il prodotto a meno che tutti i componenti non siano correttamente agganciati e regolati.
3. Tutti i raccordi del montaggio devono essere sempre serrati correttamente.
4. Prestare attenzione al rischio generato da fiamme libere e altre fonti di forte calore nelle vicinanze del prodotto.
5. Prestare attenzione al rischio di ribaltamento del prodotto nel caso in cui il bambino si spinga con i piedi contro il tavolo o qualsiasi altra struttura.
6. **AVVISO:** Non usare la seduta se ci sono parti rotte, lacerate o mancanti.
7. Non usare accessori o parti di ricambio diverse da quelle approvate dal produttore.
8. Per evitare infortuni, tenere lontani i bambini durante il montaggio o lo smontaggio del seggiolone.
9. **NON** collocare il prodotto accanto a finestre, perché il bambino potrebbe usarlo come scala e cadere di sotto.
10. **NON** collocare il prodotto accanto a una finestra dove siano presenti corde o tende che possano strangolare un bambino.
11. La seduta senza accessori è conforme alla norma EN17191:2021.
12. La seduta senza accessori è adatta per bambini dai 3 ai 14 anni.
13. Non usare il seggiolino come sgabello.

14. Alcuni tipi di pavimenti potrebbero essere sensibili all'abrasione. Decidere se Bugaboo Giraffe sia adatto o meno al proprio pavimento è responsabilità dell'utilizzatore.

### **DA USARE CON GLI ACCESSORI**

15. Non lasciare mai il bambino incustodito
16. Pericolo di caduta: non lasciare che il bambino si arrampichi sul prodotto.
17. Utilizzare sempre la cintura di sicurezza
18. Interrompere l'uso del set neonato quando il bambino inizia a mettersi seduto.
19. Non usare la seduta con il set per bambini finché il bambino non è in grado di rimanere seduto da solo.
20. La seduta con il set per bambino è stata concepita per bambini che stanno seduti da soli e fino a 3 anni di età o che pesano al massimo 15 kg, a seconda della condizione che si verifica prima.

## **Garanzia del produttore**

Il produttore, Bugaboo International BV, con sede principale ad Amsterdam ("Bugaboo"), fornisce il prodotto Bugaboo con garanzia. Le condizioni di garanzia complete sono visionabili su [bugaboo.com](http://bugaboo.com). Se hai acquistato il prodotto direttamente da Bugaboo, puoi contattare il nostro Servizio Clienti utilizzando il nostro modulo di contatto online ([www.bugaboo.com/support](http://www.bugaboo.com/support)). Se hai acquistato il prodotto presso uno dei nostri punti vendita ufficiali, contatta prima il tuo rivenditore per presentare un reclamo ai sensi della garanzia del produttore.

## **Servizio clienti**

In caso di domande, potresti trovare la risposta nel nostro sito Web, [www.bugaboo.com](http://www.bugaboo.com). Se desideri contattare il servizio clienti internazionale, il nostro personale sarà felice di aiutarti, rispondendo a eventuali domande, dubbi o commenti in relazione ai nostri prodotti e servizi. Non esitare a contattarci. Il tuo feedback ci aiuta a migliorare ulteriormente i nostri prodotti e servizi.

Puoi contattare il nostro Servizio clienti utilizzando il nostro modulo di contatto online ([www.bugaboo.com/support](http://www.bugaboo.com/support)).

Le informazioni contenute nel presente documento sono soggette a modifiche senza preavviso. Bugaboo International BV non è responsabile per errori tecnici o omissioni nel presente documento. Il prodotto acquistato può essere diverso da quello descritto nella presente guida all'uso. È possibile richiedere le guide più recenti al servizio clienti o sul sito [www.bugaboo.com](http://www.bugaboo.com).  
© 2023 Bugaboo International BV. BUGABOO, BUGABOO CAMELEON, BUGABOO BEE, BUGABOO DONKEY, BUGABOO FOX, BUGABOO TURTLE, BUGABOO ANT, BUGABOO LYNX, BUGABOO STARDUST, BUGABOO BUTTERFLY, BUGABOO OWL, BUGABOO DRAGONFLY, BUGABOO GIRAFFE e il logo Bugaboo sono marchi registrati. I passeggini Bugaboo® sono brevettati e il design è protetto.

# Ergonomiškas kėdutės kreiptuvas

„Bugaboo Giraffe“ kėdutė ir pėdų atrama gali būti reguliuojamos be jokių įrankių, tik paprasčiausiai spustelėjus ir pastūmus.

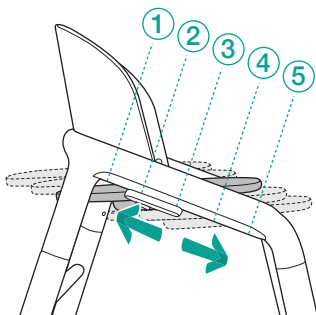
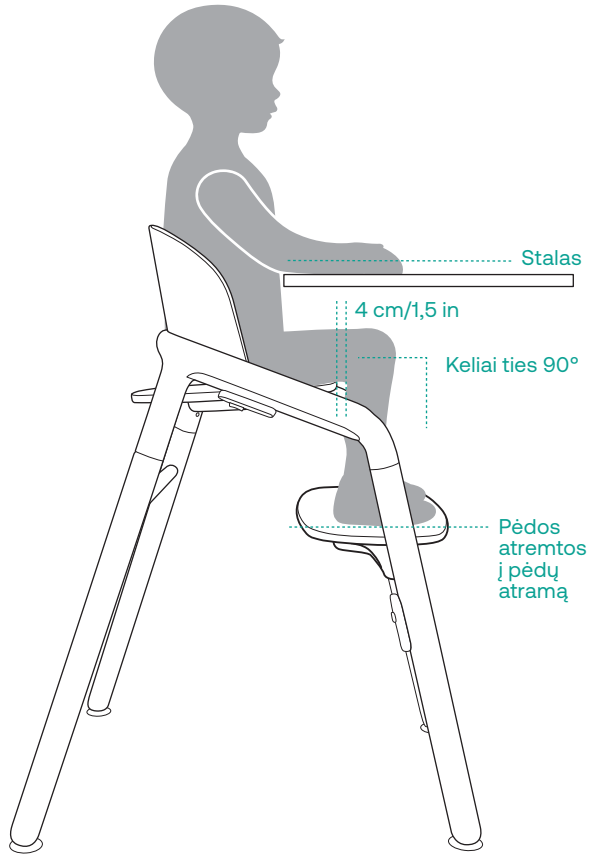
Ergonomiška kėdutės padėtis reiškia:

- Sėdima tiesiai atsirėmus į nugaros atlošą
- Alkūnės liečia stalą
- Keliai sulenkti 90° kampu
- Pėdas atremtos į pėdų atramą
- Tarpas (4 cm/1,5 in) tarp kojų ir kėdutės maksimaliam komfortui

*Kėdutę reguliuokite tik tada, kai niekas ant jos nesėdi!*

## Patarimas

Jei sėdint kojos jau liečia žemę, pėdų atramą galite paslėpti pastumdami ją į aukščiausią padėtį, kad sukurtumėte daugiau vietos kojoms.



## Kėdutės padėtys

- 1 6 mėnesių – 3 metai su „Bugaboo Giraffe“ komplektu kūdikiai
- 2-5 3–14 metų
- 5 14+ metų

„Bugaboo Giraffe“ komplektas naujagimiui gali būti tvirtinamas prie „Bugaboo Giraffe“ nepriklausomai nuo to, kurioje padėtyje yra kėdutė.

# Plovimo instrukcijos

Nuolat tikrinkite ir prižiūrėkite savo „Bugaboo“ produktą.

Pasirūpinkite, kad produktas visada būtų švarus.

- Nuvalykite techninės įrangos dalis minkštu rankšluosčiu ir drungnu vandeniu bei nuvalykite likusį vandenį sausa šluoste.
- „Bugaboo Giraffe“ komplektas kūdikiai ir dėklas yra tinkami plauti indaplovėje iki 65 °C/149 °F temperatūroje.
- Būkite atsargūs su spalvotu maistu; tai gali turėti įtakos kūdikio komplekto ir dėklo spalvai.

**SVARBU:** prieš plaudami visada peržiūrėkite priežiūros etiketę.

- Visi audiniai yra tinkami plauti skalbyklėje 30 °C/86 °F temperatūroje.
- Įsitinkinkite, kad visi užsegimai yra pritvirtinti.
- Išskalbę diržus, nuvalykite sagtį ir jos spaustukus šluoste.

Tam tikrų rūšių grindys gali būti jautrios subraižymui. Naudotojas pats turi nuspręsti, ar „Bugaboo Giraffe“ yra tinkama jo grindims.

## ĮSPĖJIMAI ir kita naudojimo informacija

**SVARBU – PRIEŠ NAUDODAMI ATIDŽIAI PERSKAITYKITE ŠIAS INSTRUKCIJAS IR SAUGOKITE, KAD GALĖTUMĖTE PERŽIURĖTI ATEITYJE.**

### BENDRAS PRODUKTAS

1. „Bugaboo Giraffe“ ir jo komponentai turi būti naudojami viduje.
2. Produktą naudokite tik tada, jei visi komponentai yra tinkamai sumontuoti ir sureguliuoti.
3. Visos montavimo jungiamosios detalės turėtų visada būti tinkamai priveržtos.
4. Atkreipkite dėmesį į atviros ugnies riziką ir į kitus stipraus karščio šaltinius netoli produkto.
5. Atkreipkite dėmesį į apvirtimo riziką, kai vaikas gali pastumti savo kojas į stalą ar kokią nors kitą konstrukciją.
6. ĮSPĖJIMAS: nenaudokite kėdės, jei kuri nors dalis sulūžusi, nulaužta arba jos trūksta.
7. Nenaudokite priedų arba atsarginių dalių, kurių nepatvirtino gamintojas.
8. Kad išvengtumėte sužalojimo, saugokite vaikus nuo kėdės sumontavimo arba išmontavimo vietos.
9. NEDĖKITE šio produkto arti lango, nes jį vaikas gali panaudoti kaip pakopą ir vaikas gali iškristi pro langą.
10. NEDĖKITE šio produkto arti lango, kur dieninių ar naktinių užuolaidų virvelėmis vaikas galėtų pasismaugti.
11. Kėdutė be priedų atitinka EN17191:2021.
12. Kėdutė be priedų yra tinkama 3–14 metų vaikui.
13. Nenaudokite kėdutės kaip laiptelio.

14. Tam tikrų rūšių grindys gali būti jautrios subraižymui. Naudotojas pats turi nuspręsti, ar „Bugaboo Giraffe“ yra tinkama jo grindims.

### NAUDOJIMAS SU PRIEDAIS

15. Niekada nepalikite vaiko be priežiūros.  
 16. NUKRITIMO PAVOJUS: apsaugokite, kad vaikas neliptų ant produkto.  
 17. Visada naudokite tvirtinimo sistemą.  
 18. Nebenaudokite rinkinio naujagimiui, kai vaikas pradeda bandyti atsistoti.  
 19. Nenaudokite kėdutės su komplektu kūdikiui tol, kol vaikas sugebės atsistoti be pagalbos.  
 20. Kėdutė su komplektu kūdikiui yra skirta vaikams, sugebantiems atsistoti be pagalbos arba iki 3 metų arba daugiausiai 15 kg svorio, atsižvelgiant į tai, kas įvyksta pirmiau.

## Gamintojo garantija

Gamintojas „Bugaboo International BV“, kurio pagrindinė verslo vieta yra Amsterdamė („Bugaboo“) tiekia „Bugaboo“ produktą su garantija. Visas garantijos sąlygas galite rasti svetainėje bugaboo.com. Jei įsigijote produktą tiesiai iš „Bugaboo“, galite susisiekti su mūsų klientų aptarnavimo komanda naudodami mūsų internetinę kontaktinę formą ([www.bugaboo.com/support](http://www.bugaboo.com/support)). Jei produktą įsigijote vienoje iš mūsų oficialių pardavimo vietų, pirmiausia susisiekite su pardavimo atstovu, kad pateiktumėte reikalavimą pagal šią gamintojo garantiją.

## Klientų aptarnavimas

Jei turite klausimų, atsakymą galite rasti mūsų interneto svetainėje [www.bugaboo.com](http://www.bugaboo.com). Jei turite susisiekti su mūsų tarptautine aptarnavimo komanda, mums visada bus malonu iš jūsų išgirsti! Su malonumu atsakysime į jūsų klausimus, susirūpinimus arba komentarus apie mūsų produktus ir paslaugas. Nedvejodami kreipkitės į mus. Jūsų atsiliepinimas padės mums dar labiau pagerinti mūsų produktus ir paslaugas.

Su mūsų klientų aptarnavimo komanda galite susisiekti naudodami mūsų internetinę kontaktinę formą ([www.bugaboo.com/support](http://www.bugaboo.com/support)).

Čia pateikta informacija gali būti pakeista be perspėjimo. „Bugaboo International BV“ nebus atsakinga už čia esančias technines klaidas ar praleidimus. Įsigytas produktas gali skirtis nuo produkto, aprašyto šiame vartotojo vadove. Mūsų naujausių vartotojo vadovų galima paprašyti mūsų aptarnavimo skyriuose arba adresu [www.bugaboo.com](http://www.bugaboo.com).

© 2023 Bugaboo International BV, BUGABOO, BUGABOO CAMELEON, BUGABOO BEE, BUGABOO DONKEY, BUGABOO FOX, BUGABOO TURTLE, BUGABOO ANT, BUGABOO LYNX, BUGABOO STARDUST, BUGABOO BUTTERFLY, BUGABOO OWL, BUGABOO DRAGONFLY, BUGABOO GIRAFFE ir „Bugaboo“ logotipai yra registruoti prekiniai ženklai. „Bugaboo“ vežimėliai yra patentuoti ir jų dizainas saugomas.

# Ceļvedis ergonomiskai sēdekļa izmantošanai

**Bugaboo Giraffe sēdekli un pēdu balstu var regulēt bez instrumentiem, vienkārši noklikšķinot un pabīdot tos.**

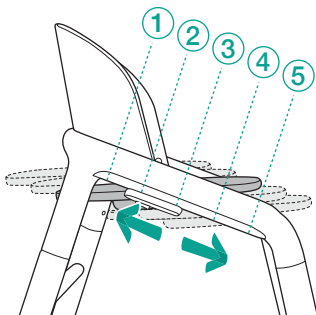
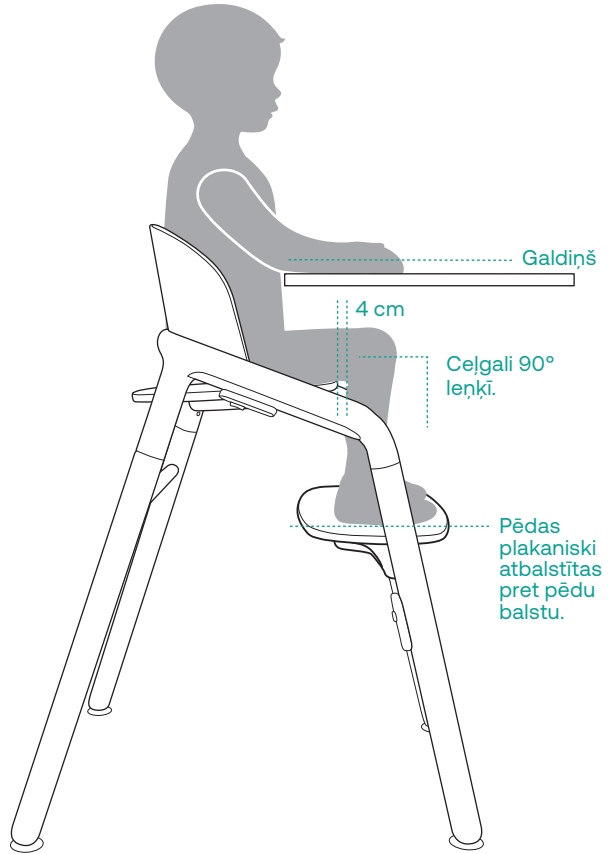
Nosacījumi ergonomiskai sēdekļa pozīcijai:

- Atrašanās sēdus pozīcijā attiecībā pret atzveltni.
- Elkoņi pieskaras pie galdiņa.
- Ceļgali saliekti 90° leņķī.
- Pēdas plakaniski atbalstītas pret pēdu balstu.
- Maksimālam komfortam starp kājām un sēdekli atstāta brīva vieta (4 cm).

*Veiciet krēslīņa regulēšanu vienīgi tad, kad tajā nav viens nesēž!*

## Padoms

Ja sēžot pēdas jau pieskaras grīdai, jūs varat paslēpt pēdu balstu, iebīdot to augstākajā pozīcijā, lai kājām būtu vairāk vietas.



## Sēdekļa pozīcijas

- ① 6 mēneši - 3 gadi ar Bugaboo Giraffe mazuļu komplektu
- ②-⑤ 3-14 gadi
- ⑤ 14+ gadi

Bugaboo Giraffe jaundzimušo komplektu var piestiprināt Bugaboo Giraffe šedeklim jebkurā sēdekļa pozīcijā.



# Tīrīšanas instrukcijas

Pegulāri pārbaudiet un apkopiet Bugaboo produktu.

Vienmēr turiet produktu tīru.

- Notīriet korpusa daļas ar mīkstu dvieli un remdenu ūdeni un noslaukiet atlikušo ūdeni ar sausu drānu.
- Bugaboo Giraffe mazuļu komplektu un paliktni var mazgāt trauku mazgājamajā mašīnā temperatūrā, kas nepārsniedz 65°C.
- Lūdzu, esiet uzmanīgi ar pārtiku izteiktās krāsās; mazuļu komplekts un paliktnis var iekrāsoties.

**SVARĪGI:** Pirms mazgāšanas vienmēr pārbaudiet norādes uz kopšanas etiķetes.

- Visus audumus var mazgāt veļas mazgājamajā mašīnā temperatūrā līdz 30°C.
- Pārlicinieties, lai visi aizdares elementi būtu nostiprināti.
- Pēc jostas mazgāšanas noslaukiet ar drānu sprādzi un tās skavas.

Atsevišķi grīdas seguma veidi var noberzties. Tā ir lietotāja atbildība izlemt, vai Bugaboo Giraffe produkts ir piemērots konkrētajam grīdas segumam.

## BRĪDINĀJUMI un cita lietošanas informācija

**SVARĪGI — PIRMS LIETOŠANAS UZMANĪGI IZLASIET ŠĪS NORĀDES UN SAGLABĀJIET TURPMĀKAI UZZIŅAI.**

### PRODUKTA VISPĀRĒJA INFORMĀCIJA

1. Bugaboo Giraffe un tā komponenti ir paredzēti izmantošanai iekštelpās.
2. Izmantojiet produktu vienīgi tādā gadījumā, ja visi tā komponenti ir pareizi piestiprināti un noregulēti.
3. Visiem konstrukcijas stiprinājumiem vienmēr ir jābūt atbilstoši nostiprinātiem.
4. Jāapzinās riski, kas saistīti ar produkta izmantošanu atklātas liesmas un citu spēcīga karstuma avotu tuvumā.
5. Jāapzinās saskaršanās risks, ja bērns spēj atspiest kājas pret galdiņu vai citu konstrukcijas elementu.
6. **BRĪDINĀJUMS:** Nelietojiet sēdekli, ja kāda tā daļa ir salauzta, saplēsta vai trūkst.
7. Nelietojiet aksesuārus vai rezerves daļas, ja tās nav apstiprinājis ražotājs.
8. Lai izvairītos no traumām, sēdekliša salikšanu vai izjaukšanu veiciet no bērniem drošā attālumā.
9. **NEIZMANTOJIET** šo produktu loga tuvumā, jo bērns uz tā var pakāpties un izkrist pa logu.
10. **NEIZMANTOJIET** šo produktu loga tuvumā, kur bērns var nožņaugties žālūziju vai aizkaru auklās.
11. Sēdekliētis bez aksesuāriem atbilst EN17191:2021 standartam.
12. Sēdekliētis bez aksesuāriem ir piemērots bērniem no 3 līdz 14 gadu vecumam.
13. Neizmantojiet sēdeklieti, lai uz tā pakāptos.

14. Atsevišķi grīdas seguma veidi var noberzties. Tā ir lietotāja atbildība izlemt, vai Bugaboo Giraffe produkts ir piemērots konkrētajam grīdas segumam.

### IZMANTOŠANAI AR AKSESUĀRIEM

15. Nekad neatstājiet bērnu bez uzraudzības.  
 16. **NOKRIŠANAS RISKS:** Neļaujiet bērnam rāpties uz produkta.  
 17. Vienmēr izmantojiet ierobežotājsistēmu.  
 18. Pārtrauciet lietot šo jaundzimušo komplektu, kad bērns sāk mēģināt piecelties sēdus.  
 19. Neizmantojiet šo sēdekli ar mazuļu komplektu, līdz bērns spēj sēdēt bez palīdzības.  
 20. Sēdeklis ar mazuļu komplektu ir paredzēts bērniem, kuri spēj sēdēt bez palīdzības un ir vecumā līdz 3 gadiem vai sver ne vairāk par 15 kg, atkarībā no tā, kurš nosacījums tiek izpildīts pirmais.

## Ražotāja garantija

Ražotājs Bugaboo International BV, kura galvenā uzņēmējdarbības vieta atrodas Amsterdamā ("Bugaboo"), piegādā Bugaboo produktus ar garantiju. Pilnus garantijas nosacījumus skatiet vietnē bugaboo.com. Ja esat iegādājies savu produktu tieši no Bugaboo, varat sazināties ar mūsu klientu atbalsta komandu, izmantojot mūsu tiešsaistes saziņas veidlapu ([www.bugaboo.com/support](http://www.bugaboo.com/support)). Ja iegādājāties produktu kādā no mūsu oficiālajām tirdzniecības vietām, vispirms sazinieties ar mazumtirgotāju, lai iesniegtu pretenziju atbilstoši šai ražotāja garantijai.

## Klientu apkalpošana

Ja jums ir jautājumi, iespējams, atbildi var atrast mūsu vietnē [www.bugaboo.com](http://www.bugaboo.com). Ja sazināties ar mūsu starptautisko klientu atbalsta komandu, mēs vienmēr priecāsimies jums palīdzēt! Mēs esam gatavi atbildēt uz visiem jautājumiem, kļūdēt šaubas un konsultēt par mūsu produktiem un pakalpojumiem. Nevilcinieties sazināties ar mums. Jūsu atsauksmes palīdz mums vēl vairāk uzlabot mūsu produktus un pakalpojumus.

Jūs varat sazināties ar mūsu klientu atbalsta komandu, izmantojot mūsu tiešsaistes saziņas veidlapu ([www.bugaboo.com/support](http://www.bugaboo.com/support)).

Šeit ietvertā informācija var tikt mainīta bez brīdinājuma. Bugaboo International BV neuzņemas atbildību par šeit ietvertajām tehniskajām kļūdām vai izlaidumiem. Iegādātais produkts var atšķirties no produkta, kā aprakstīts šajā pamācībā. Mūsu jaunākās pamācības var pieprasīt mūsu klientu atbalsta nodaļās vai vietnē [www.bugaboo.com](http://www.bugaboo.com).  
 © 2023 Bugaboo International BV. BUGABOO, BUGABOO CAMELEON, BUGABOO BEE, BUGABOO DONKEY, BUGABOO FOX, BUGABOO TURTLE, BUGABOO ANT, BUGABOO LYNX, BUGABOO STARDUST, BUGABOO BUTTERFLY, BUGABOO OWL, BUGABOO DRAGONFLY, BUGABOO GIRAFFE un Bugaboo logotipi ir reģistrētas preču zīmes. Bugaboo® ratīņi ir patentēti un dizains ir aizsargāts.

# Richtlijn voor ergonomische stoelpositie

De stoel en voetensteun van de Bugaboo Giraffe kunnen zonder gereedschap worden versteld. Je kunt gewoon klikken en schuiven.

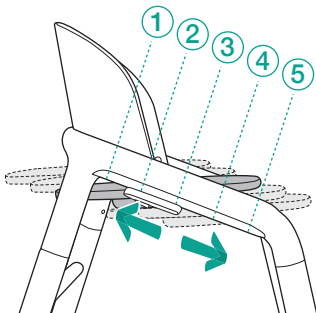
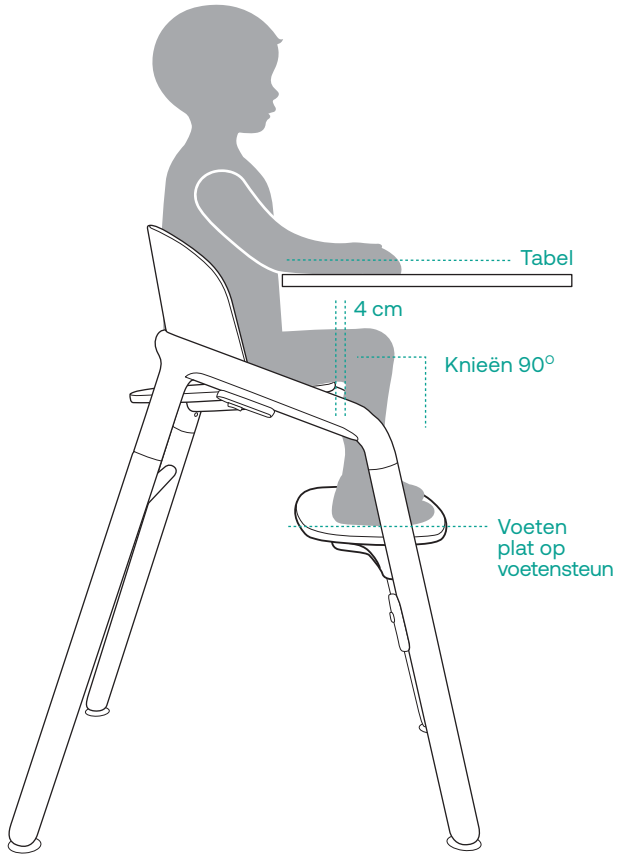
Een ergonomische stoelpositie betekent:

- Rechtop zitten tegen de rugleuning
- Ellebogen op tafel
- Knieën gebogen in een hoek van  $90^\circ$
- Voeten plat op de voetensteun
- Ruimte (4 cm) tussen de benen en stoel voor maximaal comfort

*Verstel de stoel alleen als er niemand op zit!*

## Tip

Als de voeten de grond raken tijdens het zitten, kun je de voetensteun verwijderen door deze naar de hoogste stand te verschuiven om meer beenruimte te creëren.



## Stoelposities

- 1 6 maanden - 3 jaar met Bugaboo Giraffe babyset
- 2-5 3-14 jaar
- 5 14+ jaar

De Bugaboo Giraffe newborn set kan aan de Bugaboo Giraffe worden bevestigd, in welke positie de stoel ook staat.

# Tips voor reiniging en onderhoud

Inspecteer en onderhoud je Bugaboo product regelmatig.

Houd het product te allen tijde schoon.

- Maak de harde onderdelen schoon met een zachte doek en lauw water en verwijder overgebleven druppels met een droge doek.
- De Bugaboo Giraffe babyset en tray mogen in de vaatwasser op maximaal 65°C.
- Wees voorzichtig met gekleurd eten; de babyset en tray kunnen hierdoor verkleuren.

**BELANGRIJK:** Controleer de wasvoorschriften op het label voordat je de bekleding wast.

- Alle materialen kunnen op 30°C worden gewassen in de wasmachine.
- Zorg ervoor dat alle sluitingen zijn bevestigd.
- Na het wassen van de gordel kun je de gesp en klemmen schoonmaken met een doek.

Sommige vloeren zijn gevoelig voor krassen of beschadigingen. Het is de verantwoordelijkheid van de gebruiker om te bepalen of de Bugaboo Giraffe geschikt is voor hun vloer.

## **WAARSCHUWINGEN en andere gebruiksinformatie**

**BELANGRIJK — LEES DEZE GEBRUIKSAANWIJZING ZORGVULDIG DOOR EN BEWAAR DEZE VOOR LATER GEBRUIK.**

### **GEHELE PRODUCT**

1. De Bugaboo Giraffe en de bijbehorende onderdelen zijn bedoeld voor gebruik binnenshuis.
2. Het product alleen gebruiken als alle onderdelen op de juiste manier zijn bevestigd en afgesteld.
3. Alle montagedelen moeten goed worden vastgedraaid.
4. Pas op voor open vuur of andere hittebronnen in de nabijheid van dit product.
5. Wees je bewust van het risico dat het product kan kantelen wanneer je kind zich met zijn voeten afzet tegen een tafel of een ander voorwerp.
6. **WAARSCHUWING:** gebruik de stoel niet als een van de onderdelen kapot of gescheurd is of ontbreekt.
7. Gebruik **GEEN** accessoires of vervangende onderdelen die niet zijn goedgekeurd door de fabrikant.
8. Voorkom ongelukken en houd kinderen uit de buurt als je de stoel monteert of demonteert.
9. Plaats dit product **NIET** in de buurt van een raam omdat kinderen op het product kunnen klimmen of het product als trap kunnen gebruiken en uit het raam zouden kunnen vallen.
10. Plaats dit product **NIET** in de buurt van een raam met trekkoorden van gordijnen of jaloezieën in verband met wurgingsgevaar voor kinderen.
11. De stoel zonder accessoires voldoet aan EN17191:2021.

12. De stoel zonder accessoires is geschikt voor kinderen van 3 tot 14 jaar oud.
13. Gebruik de stoel niet om op te staan.
14. Sommige vloeren zijn gevoelig voor krassen of beschadigingen. Het is de verantwoordelijkheid van de gebruiker om te bepalen of de Bugaboo Giraffe geschikt is voor hun vloer.

### **TE GEBRUIKEN MET ACCESSOIRES**

15. Nooit het kind zonder toezicht laten.
16. Valgevaar: voorkom het klimmen op het product .
17. Altijd het veiligheidstuigje gebruiken.
18. Stop met het gebruik van de newbornset wanneer het kind probeert te gaan zitten.
19. Gebruik de stoel niet met de babyset totdat het kind zelfstandig rechtop kan zitten.
20. De stoel met babyset is bedoeld voor kinderen die zelfstandig rechtop kunnen zitten en maximaal 3 jaar oud zijn of 15 kg wegen, afhankelijk wat eerder is.

## **Fabrieksgarantie**

Bugaboo International BV, gevestigd te Amsterdam (hierna: 'Bugaboo'), levert als fabrikant Bugaboo producten met garantie. De volledige garantievoorwaarden staan op [bugaboo.com](http://bugaboo.com). Als je het product rechtstreeks bij Bugaboo hebt gekocht, kun contact opnemen met ons Customer Support Team via ons online contactformulier ([www.bugaboo.com/support](http://www.bugaboo.com/support)). Als je je product bij een van onze officiële verkooppunten hebt gekocht, neem dan eerst contact op met de retailer om een claim in te dienen die onder deze fabrieksgarantie valt.

## **Klantenservice**

Als je vragen hebt, vind je mogelijk het antwoord op onze website [www.bugaboo.com](http://www.bugaboo.com). Wil je contact opnemen met ons internationale serviceteam, dan horen we graag van je. We staan voor je klaar om vragen te beantwoorden of in te gaan op mogelijke zorgen en opmerkingen over onze producten of services. Aarzel niet om contact met ons op te nemen. Met jouw feedback kunnen wij onze producten en services nog beter maken.

Vragen? Neem contact op met onze klantenservice via het online contactformulier ([www.bugaboo.com/support](http://www.bugaboo.com/support)).

# Ergonomisk sitteguide

**Bugaboo Giraffes sete og fotstøtte kan justeres uten verktøy, det er bare et enkelt klikk og skyv som skal til.**

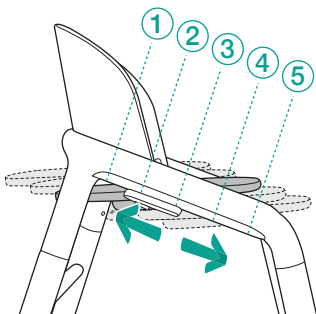
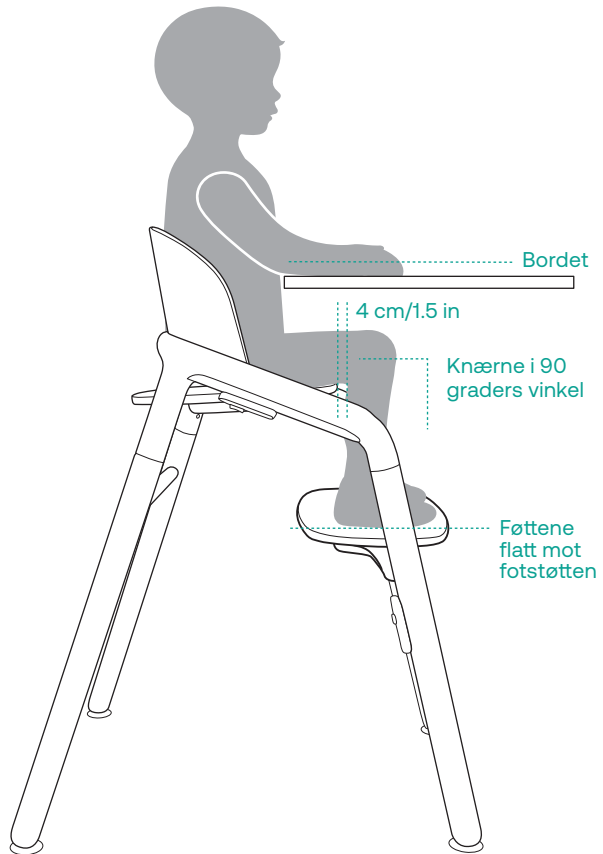
En ergonomisk sittestilling vil si:

- Å sitte oppreist inntil ryggstøtten
- La albue berøre bordet
- Knærne i 90 graders vinkel
- Føttene flatt mot fotstøtten
- Avstand (4 cm/1,5 in) mellom bena og setet for maksimal komfort

*Stolen skal bare justeres når ingen sitter på den!*

## Tips

Hvis føttene berører bakken når du sitter, kan du skjule fotstøtten ved å skyve den til høyeste posisjon for å gi mer plass til bena.



## Seteposisjon

- 1 6 måneder til 3 år med Bugaboo Giraffe babysett
- 2-5 3-14 år
- 5 14+ år

Bugaboo Giraffe-settet for nyfødte kan festes til Bugaboo Giraffe uansett hvilken posisjon setet er i.

# Tips for rengjøring og vedlikehold

Undersøk og vedlikehold ditt Bugaboo-produkt regelmessig.

Hold produktet rent til enhver tid.

- Rengjør med en myk klut og lunkent vann, og tørk av overflødig væske med en tørr klut.
- Bugaboo Giraffe babysett og brett kan vaskes i oppvaskmaskin på opptil 65°C.
- Vær forsiktig med fargetilsatt mat da fargen på babysettet og brettet kan bli misfarget av det.

**VIKTIG:** Sjekk alltid vaskelappen før vask.

- Alle stoffer er vaskbare ved 30°C.
- Påse at alle lukkene er festet.
- Etter å ha vasket selen, vennligst tørk av spennen og klipsen med en klut.

Enkelte typer gulv kan være mer utsatt for slitasje. Det er brukerens ansvar å avgjøre om Bugaboo Giraffe er egnet for gulvet deres.

## ADVARSLER og annen informasjon om bruk

**VIKTIG – LES DISSE INSTRUKSJONENE NØYE FØR BRUK, OG OPPBEVAR DEM FOR FREMTIDIG REFERANSE.**

### PRODUKTET GENERELT

1. Bugaboo Giraffe og delene som hører til er ment å brukes innendørs.
2. Ikke bruk produktet dersom ikke alle delene er korrekt montert og justert.
3. Alle monteringsbeslag må alltid være godt tilstrammet.
4. Vær oppmerksom på risikoen dersom det finnes åpen ild eller andre varmekilder i nærheten av produktet.
5. Vær oppmerksom på faren for at produktet kan velte om barnet ditt trykker føttene mot et bord eller andre gjenstander.
6. **ADVARSEL:** Ikke bruk stolen dersom en del er ødelagt, slitt eller mangler.
7. Ikke bruk tilbehør eller reservedeler som ikke er godkjent av produsenten.
8. For å unngå skader, hold barn unna når stolen skal monteres eller demonteres.
9. **PLASSER IKKE** dette produktet nær et vindu, da barnet kan bruke det som trapp og risikere å falle ut av vinduet.
10. Plasser ikke dette produktet nær et vindu hvor snorer fra persienner eller gardiner kan kvele barnet.
11. Stolen uten tilbehør overholder EN17191:2021.
12. Stolen uten tilbehør er egnet for barn i alderen 3 til 14 år.
13. Ikke bruk stolen som krakk.
14. Enkelte typer gulv kan være mer utsatt for slitasje. Det er brukerens ansvar å avgjøre om Bugaboo Giraffe er egnet for gulvet deres.

## FOR BRUK MED TILBEHØR

15. Aldri etterlat barnet uten tilsyn.
16. Fallrisiko: Hindre barnet ditt fra å klatre på produktet.
17. Bruk alltid sikringsselen
18. Når barnet prøver å sitte, må du ikke lenger bruke nyfødte-settet.
19. Ikke bruk stolen med babysett før barnet kan sitte oppreist på egen hånd.
20. Barnestolen med babysett er ment for barn under 3 år eller 15 kg – avhengig av hva som inntreffer først – som er i stand til å sitte oppreist uten hjelp.

## Produsentgaranti (bare for europa)

Produsenten, Bugaboo International BV, med hovedkontor i Amsterdam (“Bugaboo”), leverer Bugaboo-produktet med garanti. Fullstendige garantibetingelser finnes på [bugaboo.com](http://bugaboo.com). Hvis du har kjøpt produktet ditt direkte fra Bugaboo, kan du kontakte vårt kundesenter ved å bruke vårt online kontaktskjema ([www.bugaboo.com/support](http://www.bugaboo.com/support)). Hvis du har kjøpt produktet hos et av våre offisielle utsalgssteder, må du først kontakte forhandleren for å sende inn et krav på forhandlerens garanti.

## Kundeservice

Hvis du har et spørsmål, finner du kanskje svaret på nettstedet vårt [www.bugaboo.com](http://www.bugaboo.com). Hvis du trenger å komme i kontakt med vårt internasjonale serviceteam, blir vi alltid glade over å høre fra deg. Vi kan svare på spørsmål, løse problemer og ta imot kommentarer du måtte ha om produktene og tjenestene våre. Ikke nøl med å ta kontakt – dine tilbakemeldinger gjør at vi kan forbedre produktene og tjenestene våre.

Du kan kontakte kundestøtten vår via kontaktskjemaet på [www.bugaboo.com/support](http://www.bugaboo.com/support).



# Wskazówki dotyczące ergonomicznego korzystania z siedziska

Siedzisko i podnóżek Bugaboo Giraffe mogą być regulowane bez użycia jakichkolwiek narzędzi. Wystarczy kliknąć i wsunąć.

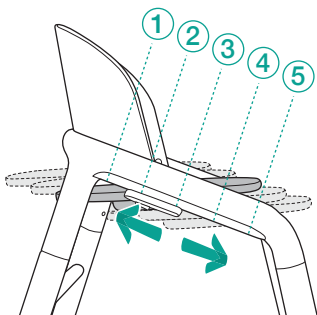
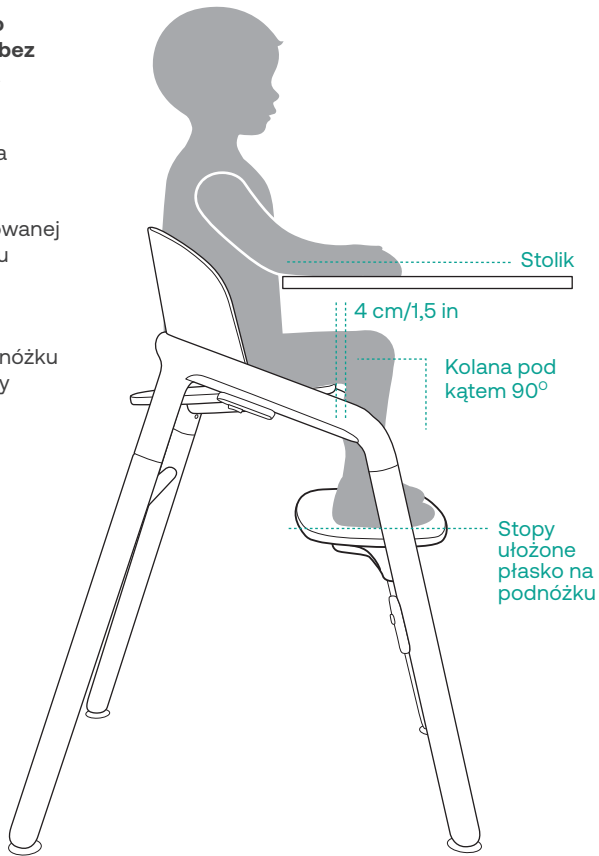
Ergonomiczna pozycja siedziska oznacza:

- Siedzenie w pozycji wyprostowanej z plecami opartymi na oparciu krzesła
- Łokcie dotykają stolika
- Kolana zgięte pod kątem 90°
- Stopy ułożone płasko na podnóżku
- Odstęp (4 cm/1,5 in) pomiędzy nogami a siedziskiem dla zapewnienia maksymalnego komfortu

*Krzeszko należy regulować wyłącznie wtedy, gdy dziecko w nim nie siedzi!*

## Wskazówka

Jeśli stopy dziecka sięgają już do podłogi podczas siedzenia, podnóżek można schować, przesuwanąc go do najwyższej pozycji, aby uzyskać więcej miejsca na nogi.



## Pozycje siedziska

- 1 6 miesięcy do 3 lat z zestawem dla małego dziecka Bugaboo Giraffe
- 2-5 3-14 lat
- 5 Powyżej 14 lat

Zestaw dla noworodków Bugaboo Giraffe można przymocować do Bugaboo Giraffe bez względu na pozycję siedziska.

# Wskazówki dotyczące czyszczenia i konserwacji

Produkt Bugaboo należy regularnie sprawdzać i konserwować.

Utrzymuj produkt w czystości przez cały czas.

- Części ramy należy czyścić miękkim ręcznikiem i ciepłą wodą, a następnie osuszyć suchą ściereczką.
- Zestaw dla małego dziecka i tacę Bugaboo Giraffe można myć w zmywarce w temperaturze do 65 °C.
- Należy unikać kontaktu z silnie barwiącymi produktami spożywczymi; mogą spowodować odbarwienie zestawu dla dziecka i tacki.

**WAŻNE!** Przed praniem należy zawsze sprawdzić materiałową etykietę.

- Wszystkie materiały można prać w pralce w temperaturze 30 °C.
- Zapiąć wszystkie zapięcia.
- Po umyciu pasów bezpieczeństwa klamrę i klipsy należy przetrzeć szmatką.

Niektóre rodzaje podłóg mogą być szczególnie podatne na ścieranie. Użytkownik jest odpowiedzialny za decyzję, czy Bugaboo Giraffe może być używane na danej podłodze.

## **OSTRZEŻENIA** inne informacje dotyczące użytkowania

**WAŻNE — PRZED UŻYTKOWANIEM DOKŁADNIE PRZECZYTAĆ NINIEJSZĄ INSTRUKCJĘ I ZACHOWAĆ JĄ NA PRZYSZŁOŚĆ.**

### OGÓLNE INFORMACJE O PRODUKCIE

1. Bugaboo Giraffe i jego elementy są przeznaczone do użytku wewnątrz.
2. Nie używaj produktu, jeżeli wszystkie elementy nie są prawidłowo zamontowane i wyregulowane.
3. Wszystkie elementy mocujące powinny być zawsze prawidłowo zamocowane.
4. Miej świadomość ryzyka przewrócenia, jeżeli dziecko potrafi odepchnąć się stopami od stołu lub jakiegokolwiek innej konstrukcji.
5. Miej świadomość ryzyka przewrócenia, jeżeli dziecko potrafi odepchnąć się stopami od stołu lub jakiegokolwiek innej konstrukcji.itp.
6. **OSTRZEŻENIE!** Nie używać krzesła, jeżeli którakolwiek część jest zepsuta, zniszczona lub nieobecna.
7. Nie używać akcesoriów ani części zamiennych niezatwierdzonych przez producenta.
8. Aby uniknąć obrażeń w czasie rozkładania lub składania produktu należy zadbać, aby dzieci znajdowały się w odpowiedniej odległości od krzesła.
9. **NIE UMIESZCZAJ** tego produktu w pobliżu okna, ponieważ może zostać użyty przez dziecko jako stopień i spowodować, że dziecko wypadnie z okna.

10. NIE UMIESZCZAJ tego produktu w pobliżu okna, gdzie sznurki rolet lub zasłon mogą udusić dziecko.
11. Krzesło bez akcesoriów jest zgodne z wymaganiami normy EN17191:2021.
12. Krzesło bez akcesoriów jest przeznaczone dla dziecka w wieku od 3 do 14 lat.
13. Nie używaj krzeselka jako stołka.
14. Niektóre rodzaje podłóg mogą być szczególnie podatne na ścieranie. Użytkownik jest odpowiedzialny za decyzję, czy Bugaboo Giraffe może być używane na danej podłodze.

### DO UŻYWANIA Z AKCESORIAMI

15. Nigdy nie zostawiaj dziecka bez opieki
16. Zagrożenie upadkiem: Nie dopuść, aby dziecko wspinało się na produkt.
17. Zawsze używaj systemu zapięć.
18. Nie należy używać zestawu dla noworodka, jeśli dziecko podejmuje próby samodzielnego siedzenia.
19. Nie używać krzeselka z zestawem dla małego dziecka do czasu, gdy twoje dziecko będzie umieć samodzielnie siedzieć.
20. Krzesło z zestawem dla małego dziecka jest przeznaczone dla dzieci w wieku do lat 3, które potrafią samodzielnie siedzieć lub o maksymalnej wadze 15 kg, bez względu na to, co nastąpi wcześniej.

## Gwarancja producenta (tylko europa)

Producent, firma Bugaboo International BV z siedzibą główną działalności w Amsterdamie („Bugaboo”), dostarcza produkt Bugaboo w ramach gwarancji. Pełne warunki gwarancji można znaleźć na stronie [bugaboo.com](http://bugaboo.com). Jeśli produkt został zakupiony bezpośrednio od Bugaboo, możesz skontaktować się z naszym zespołem obsługi klienta za pośrednictwem formularza kontaktowego online ([www.bugaboo.com/support](http://www.bugaboo.com/support)). Jeżeli produkt został zakupiony w jednym z naszych oficjalnych punktów sprzedaży, skontaktuj się najpierw ze sprzedawcą, aby złożyć reklamację w ramach gwarancji tego producenta.

## Serviço de apoio ao cliente

Jeśli masz pytania, możesz znaleźć odpowiedzi na naszej stronie [www.bugaboo.com](http://www.bugaboo.com). Jeśli potrzebujesz kontaktu z naszym międzynarodowym zespołem obsługi, z przyjemnością pomożemy. Jesteśmy gotowi na wszystkie Twoje pytania, obawy i komentarze dotyczące naszych produktów i usług. Odzywaj się do nas bez wahania. Twoje opinie pomogą nam ulepszyć przyszłe produkty i usługi.

Możesz skontaktować się z naszym zespołem obsługi klienta za pośrednictwem formularza kontaktowego online ([www.bugaboo.com/support](http://www.bugaboo.com/support)).

Informacje zawarte w niniejszym dokumencie podlegają zmianom bez uprzedniego zawiadomienia. Bugaboo International BV nie ponosi odpowiedzialności za błędy techniczne lub pominięte w niniejszym dokumencie. Zakupiony produkt może różnić się od produktu opisanego w niniejszej instrukcji użytkownika. Aktualne instrukcje użytkownika można uzyskać w dziale usług lub na stronie [www.bugaboo.com](http://www.bugaboo.com). © 2023 Bugaboo International BV. BUGABOO, BUGABOO CAMELEON, BUGABOO BEE, BUGABOO DONKEY, BUGABOO FOX, BUGABOO TURTLE, BUGABOO ANT, BUGABOO LYNX, BUGABOO STARDUST, BUGABOO BUTTERFLY, BUGABOO OWL, BUGABOO DRAGONFLY, BUGABOO GIRAFFE oraz logo Bugaboo to zastrzeżone znaki towarowe. Wózek Bugaboo® zostały opatentowane, a ich wzory podlegają ochronie.

# Guia para sentar ergonomicamente

O assento e o apoio para os pés do Bugaboo Giraffe podem ser ajustados sem ferramentas, somente com um simples clicar e deslizar.

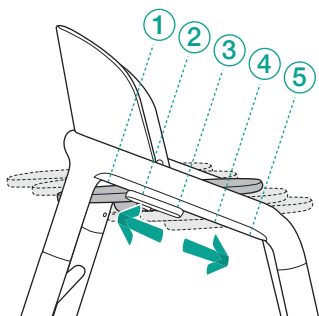
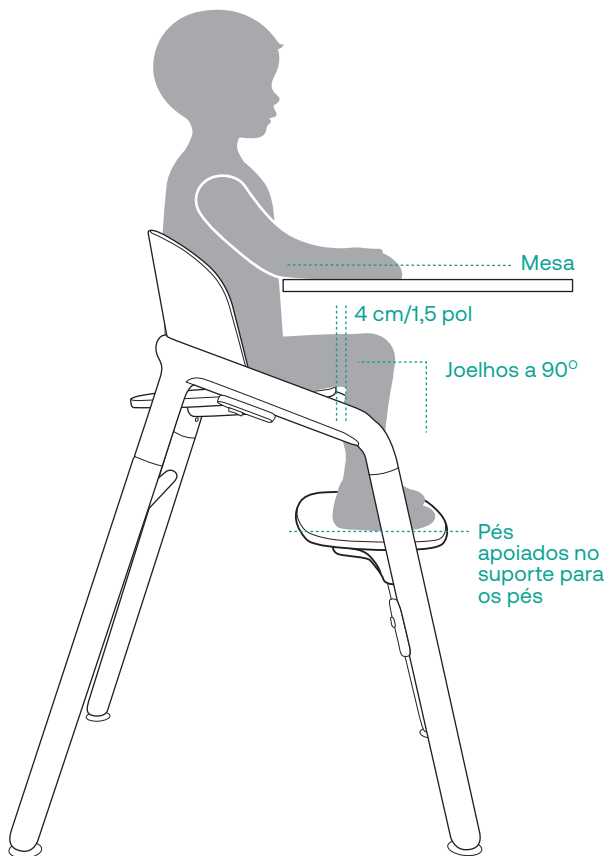
Uma posição de sentar ergonômica significa:

- Sentar ereto apoiado no encosto
- Cotovelos tocando a mesa
- Joelhos dobrados a um ângulo de 90°
- Pés apoiados no suporte para os pés
- Espaço (4 cm/1,5 pol) entre as pernas e o assento para o máximo conforto

*Somente ajustar a cadeira quando ninguém estiver sentado nela!*

## Dica

Se os pés já estiverem tocando o chão ao sentar, você pode ocultar o suporte para os pés deslizando-o para a posição mais alta de modo a criar mais espaço para as pernas.



## Posições para sentar

- 1 6 meses-3 anos com o conjunto para bebês Bugaboo Giraffe
- 2-5 3-14 anos
- 5 Mais de 14 anos

O conjunto para recém-nascidos Bugaboo Giraffe pode ser fixado ao Bugaboo Giraffe em qualquer posição que o assento esteja.

# Sugestões de limpeza e manutenção

Inspeccione e faça uma manutenção regular do seu produto Bugaboo.

Mantenha o produto sempre limpo.

- Limpe as peças fixas com um tecido macio e água quente e limpe a água restante com um pano seco.
- O conjunto de bebé e o tabuleiro Bugaboo Giraffe podem ser lavados à máquina até 65°C.
- Tenha cuidado com alimentos coloridos; poderão alterar a cor do conjunto da cadeira e do tabuleiro.

**IMPORTANTE:** Verifique sempre a etiqueta do tecido antes de lavar.

- Todos os tecidos são laváveis à máquina a 30°C.
- Certifique-se de que todos os fechos estão apertados.
- Depois de lavar o cinto, limpe com um pano as peças da fivela.

Alguns tipos de pavimentos podem ser sensíveis à abrasão. É da responsabilidade do utilizador decidir se Bugaboo Giraffe é adequado para o seu tipo de pavimento.

## AVISOS e outras informações de utilização

**IMPORTANTE – LER CUIDADOSAMENTE AS INSTRUÇÕES ANTES DE USAR E GUARDÁ-LAS PARA FUTURA REFERÊNCIA.**

### PRODUTO NO GERAL

1. O Bugaboo Giraffe e os seus componentes destinam-se a ser utilizados em espaços interiores.
2. Utilize o produto somente com todos os componentes corretamente colocados e ajustados.
3. Todos os adaptadores de montagem devem ser sempre devidamente apertados.
4. Esteja ciente do risco de lume sem proteção e de outras fontes de calor intenso na proximidade do produto.
5. Esteja atento ao risco de queda quando a criança empurra os pés contra a mesa ou outra estrutura.
6. AVISO: não use a cadeira com qualquer peça partida, torcida ou em falta.
7. Não use acessórios nem peças de substituição não aprovados pelo fabricante.
8. Para evitar lesões, mantenha as crianças afastadas enquanto monta ou desmonta a cadeira.
9. NÃO coloque este produto junto a uma janela, pois pode ser usado como degrau e a criança cair da janela.
10. NÃO coloque o produto junto a uma janela onde os fios das cortinas ou estores possam representar um perigo de asfixia.
11. A cadeira sem os acessórios está em conformidade com a norma EN17191:2021.

12. A cadeira sem os acessórios é adequada para crianças dos 3 aos 14 anos.
13. Não usar a cadeira como banquinho.
14. Alguns tipos de pavimentos podem ser sensíveis à abrasão. É da responsabilidade do utilizador decidir se Bugaboo Giraffe é adequado para o seu tipo de pavimento.

### **PARA UTILIZAÇÃO COM ACESSÓRIOS**

15. Nunca deixe a criança abandonada
16. Perigo de queda: Não permita que a criança suba sozinha.
17. Utilize o cinto de segurança sempre que o seu filho estiver no assento
18. Pare de utilizar o produto quando o bebé começar a sentar-se.
19. Não use a cadeira com o conjunto de bebé antes de a criança se conseguir sentar sozinha sem ajuda.
20. A cadeira com conjunto de bebé destina-se a crianças que se conseguem sentar sozinhas e até aos 3 anos de idade ou com peso máximo de 15 kg, consoante o que se verificar primeiro.

## **Garantia do fabricante**

O fabricante, a Bugaboo International BV, com sede principal em Amesterdão (“Bugaboo”), fornece o produto Bugaboo com garantia. As condições completas da garantia podem ser consultadas em [bugaboo.com](http://bugaboo.com). Caso tenha comprado o seu produto diretamente à Bugaboo, pode contactar a nossa Equipa de Atendimento ao Cliente usando o nosso formulário de contacto online ([www.bugaboo.com/support](http://www.bugaboo.com/support)). Caso tenha comprado o seu produto num dos nossos pontos de vendas oficiais, contacte primeiro o revendedor para que o mesmo submeta uma reclamação sob a garantia do fabricante.

## **Serviço de apoio ao cliente**

Se tiver uma dúvida, poderá encontrar a resposta para a mesma no nosso website [www.bugaboo.com](http://www.bugaboo.com). Se precisar de contactar a nossa equipa internacional de apoio ao cliente, teremos todo o prazer em atendê-lo. Estamos disponíveis para responder às suas perguntas, preocupações ou comentários sobre os nossos produtos e serviços. Não hesite em contactar-nos. As suas opiniões ajudam-nos a melhorar os nossos produtos e serviços.

Pode contactar a nossa Equipa de Atendimento ao Cliente usando o nosso formulário de contacto online ([www.bugaboo.com/support](http://www.bugaboo.com/support)).

As informações aqui contidas estão sujeitas a alterações sem aviso prévio. A Bugaboo International BV não se responsabiliza por erros ou omissões e é única aqui contida. O produto adquirido pode diferir do produto conforme descrito neste manual do utilizador. Os nossos manuais do utilizador mais recentes podem ser solicitados nos nossos departamentos de assistência ou em [www.bugaboo.com](http://www.bugaboo.com).  
© 2023 Bugaboo International BV. BUGABOO, BUGABOO CAMELEON, BUGABOO BEE, BUGABOO DONKEY, BUGABOO FOX, BUGABOO TURTLE, BUGABOO ANT, BUGABOO LYNX, BUGABOO STARDUST, BUGABOO BUTTERFLY, BUGABOO OWL, BUGABOO DRAGONFLY, BUGABOO GIRAFFE e os logótipos Bugaboo são marcas registadas. Os carrinhos de bebé Bugaboo® são patenteados e o design é protegido.

**Поднять или опустить сиденье Bugaboo Giraffe и подножку можно без инструментов.**

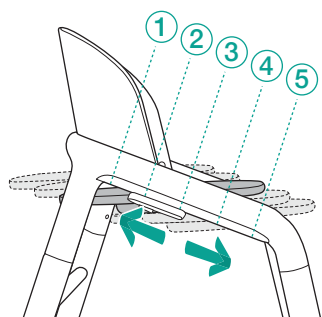
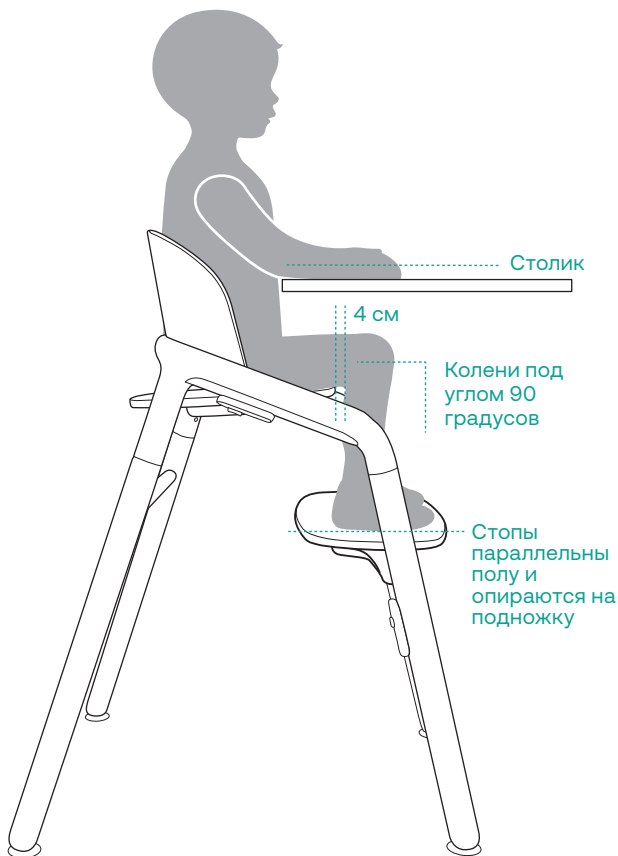
Эргономичное положение сиденья означает:

- Спина расположена вертикально и опирается на спинку стульчика
- Локти лежат на столе
- Колени согнуты под углом 90 градусов
- Стопы параллельны полу и опираются на подножку
- Расстояние (4 см) между ногами и сиденьем для максимального комфорта

*Регулировать положение частей стульчика можно только тогда, когда в нем нет ребенка.*

## Совет

Если стопы касаются пола, подножку можно спрятать, подняв ее максимально высоко и получив таким образом больше места для ног.



## Положения сиденья

- 1 6 месяцев–3 года с комплектом для младенца Bugaboo Giraffe
- 2–5 3–14 лет
- 5 14+ лет

Комплект для новорожденного Bugaboo Giraffe можно прикрепить к стульчику Bugaboo Giraffe независимо от того, в каком положении находится сиденье.

# Рекомендации по чистке и обслуживанию

Регулярно осматривайте и обслуживайте изделие Bugaboo.

Изделие необходимо содержать в чистоте.

- Протрите компоненты мягкой тканью, смоченной в теплой воде, а затем вытрите насухо.
- Столик для перекуса и комплект для младенца Bugaboo Giraffe можно мыть в посудомоечной машине при температуре до 65°C.
- Будьте осторожны: цветная еда может окрасить комплект для малыша и столик для перекуса.

**Важная информация:** Перед стиркой обязательно проверьте инструкции, содержащиеся на ярлыке тканевой части.

- Все ткани можно стирать в машине при температуре 30°C
- Убедитесь, что все застёжки закрыты.
- После стирки ремня высушите пряжку и зажимы сухим полотенцем.

Некоторые виды половых покрытий менее устойчивы к истиранию. Решение использовать стульчик Bugaboo Giraffe на конкретном половом покрытии - ответственность владельца продукта.

## ПРЕДУПРЕЖДЕНИЯ и информация об эксплуатации

**ВАЖНО! ПРЕЖДЕ ЧЕМ ИСПОЛЬЗОВАТЬ КОЛЯСКУ, ВНИМАТЕЛЬНО ИЗУЧИТЕ ДАННУЮ ИНФОРМАЦИЮ И СОХРАНИТЕ ЕЕ ДЛЯ ИСПОЛЬЗОВАНИЯ В БУДУЩЕМ.**

### ТОВАР В ЦЕЛОМ

1. Bugaboo Giraffe и его компоненты предназначены для использования в помещении.
2. Использовать изделие можно только с правильно установленными и отрегулированными компонентами.
3. Все крепежные детали должны быть надежно зафиксированы.
4. Держать вдали от открытого пламени и источников высокой температуры.
5. Осторожно: стульчик может перевернуться, если ребенок оттолкнется ногами от стола или другого предмета.
6. **ВНИМАНИЕ!** Не используйте стульчик, если какая-либо часть сломана, порвана или отсутствует.
7. **НЕ ИСПОЛЬЗУЙТЕ** принадлежности и запасные части, не разрешенные производителем.
8. Во избежание травм во время сборки и разборки стульчика рядом не должно быть детей.
9. **ЗАПРЕЩАЕТСЯ** размещать продукт около окна: ребенок может на него забраться и выпасть в окно.
10. Во избежание удушья ребенка шнурами от жалюзи или занавесок **ЗАПРЕЩАЕТСЯ** размещать продукт около окна.



11. Стульчик без аксессуаров соответствует требованиям стандарта EN17191:2021.
12. Стульчик без аксессуаров можно использовать для детей от 3 до 14 лет.
13. Использовать стульчик в качестве стремянки запрещено!
14. Некоторые виды половых покрытий менее устойчивы к истиранию. Решение использовать стульчик Bugaboo Giraffe на конкретном половом покрытии - ответственность владельца продукта.

### **ДЛЯ ИСПОЛЬЗОВАНИЯ С АКСЕССУАРАМИ**

15. Никогда не оставляйте ребенка без присмотра.
16. **ОПАСНОСТЬ ПАДЕНИЯ:** следите, чтобы ребенок не залезал на изделие.
17. Всегда пользуйтесь ремнями безопасности.
18. Прекратите использование комплекта для новорожденного, если ребенок начинает предпринимать попытки приподняться самостоятельно.
19. Использовать стульчик с комплектом для младенца можно только, если ребенок может самостоятельно сидеть.
20. Стульчик с комплектом для младенца предназначен для детей, которые могут сидеть самостоятельно, в возрасте до 3 лет и весом не более 15 кг.

## **Гарантия производителя**

Производитель, Bugaboo International BV, чей главный офис находится в Амстердаме (далее именуемый «Bugaboo»), поставляет продукцию Bugaboo с предоставлением гарантии. С полными условиями гарантии можно ознакомиться на сайте [bugaboo.com](http://bugaboo.com). Если вы приобрели товар непосредственно у Bugaboo, вы можете обратиться в нашу службу клиентской поддержки, используя онлайн-форму ([www.bugaboo.com/support](http://www.bugaboo.com/support)). Если вы приобрели товар в одном из наших официальных пунктов продаж, сначала свяжитесь с дистрибьютором для подачи претензии в соответствии с гарантией производителя.

## **Служба поддержки клиентов**

Если у вас есть вопросы, возможно, вы найдете ответы на них на нашем сайте [www.bugaboo.com](http://www.bugaboo.com). Если вам нужно связаться с нашей международной службой поддержки клиентов, мы всегда рады вашим обращениям! Мы с готовностью ответим на все ваши вопросы и выслушаем все соображения и комментарии, связанные с нашими продуктами и услугами. Ваши комментарии помогают нам их совершенствовать.

Вы можете обратиться в нашу службу поддержки клиентов, используя онлайн-форму ([www.bugaboo.com/support](http://www.bugaboo.com/support)).

Указанная здесь информация может меняться без предупреждения. Bugaboo International BV не отвечает за технические ошибки или упущения в этом документе. Купленный продукт может отличаться от продукта, описанного в этой инструкции по эксплуатации. Самые новые инструкции по эксплуатации можно получить в нашей службе поддержки клиентов или на сайте [www.bugaboo.com](http://www.bugaboo.com).  
© 2023 Bugaboo International BV, BUGABOO, BUGABOO CAMELEON, BUGABOO BEE, BUGABOO DONKEY, BUGABOO FOX, BUGABOO TURTLE, BUGABOO ANT, BUGABOO LYNX, BUGABOO STARDUST, BUGABOO BUTTERFLY, BUGABOO OWL, BUGABOO DRAGONFLY, BUGABOO GIRAFFE и логотипы Bugaboo являются зарегистрированными торговыми марками. Коляски Bugaboo® запатентованы с защищенным промышленным образцом.

# Sprievodca ergonomickým sedením

**Sedadlo a opierka nôh kočíka Bugaboo Giraffe sa dajú nastaviť bez použitia náradia, len jednoduchým klikom a posunutím.**

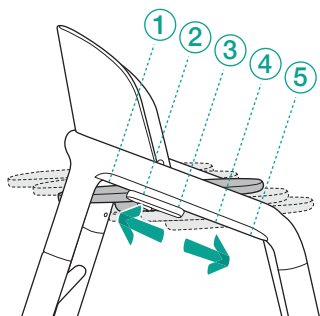
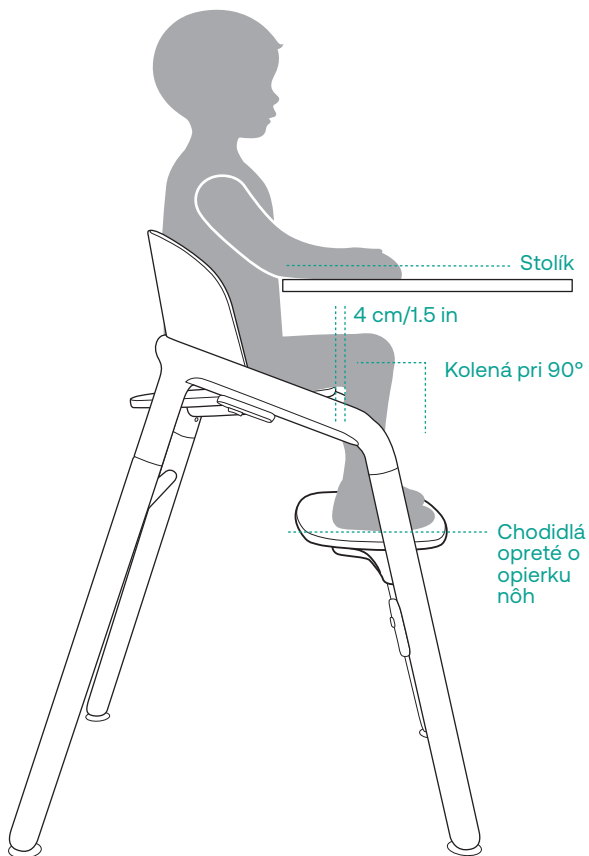
Ergonomická poloha sedenia znamená:

- Sedenie vzpriamene oproti operadlu
- Dotýkanie sa stola lakťami
- Kolená ohnuté v uhle 90°
- Chodidlá opreté o opierku nôh
- Priestor (4 cm/1,5 palca) medzi nohami a sedadlom pre maximálne pohodlie

*Sedačku nastavujte len vtedy, keď na nej nikto nesedí!*

## Tip

Ak sa nohy pri sedení už dotýkajú zeme, opierku nôh môžete skryť tak, že ju posuniete do najvyššej polohy, aby ste pre nohy vytvorili viac priestoru.



## Sedacie polohy

- 1 6 mesiacov - 3 roky s detskou súpravou Bugaboo Giraffe
- 2-5 2-5 3-14 rokov
- 5 14+ rokov

Novorodenecká súprava Bugaboo Giraffe sa dá pripojiť k autosedačke Bugaboo Giraffe bez ohľadu na to, v akej polohe sa nachádza.

# Návod na čistenie

Svoj výrobok Bugaboo pravidelne kontrolujte a udržiajte.

Výrobok udržiavajte vždy v čistote.

- Kovové časti očistite mäkkou utierkou a vlažnou vodou a zvyšky vody utrite suchou handričkou.
- Detskú súpravu Bugaboo Giraffe a vaničku je možné umývať v umývačke riadu do 65 °C/149 F.
- Dávajte pozor na farebné potraviny; môžu ovplyvniť farbu detskej súpravy a vaničky.

**DÔLEŽITÉ:** Pred práním vždy skontrolujte štítok s údajmi týkajúcimi sa starostlivosti.

- Všetky tkaniny je možné prať v práčke pri teplote 30 °C/86 F.
- Skontrolujte, či sú všetky uzávery upevnené.
- Po umytí postroja utrite pracku a jej spony handričkou.

Niektoré typy povrchov môžu byť citlivé na odieranie. Používateľ nesie zodpovednosť za rozhodnutie, či je Bugaboo Giraffe vhodný pre jeho podlahu.

## UPOZORNENIA a ďalšie informácie týkajúce sa používania

**IDÔLEŽITÉ - PRED POUŽITÍM SI POZORNE PREČÍTAJTE TENTO NÁVOD A UCHOVAJTE SI HO PRE ĎALŠIE POUŽITIE V BUDÚCNOSTI.**

### VÝROBOK VO VŠEOBECNOSTI

1. Bugaboo Giraffe a jeho komponenty sú určené na používanie v interiéri.
2. Výrobok nepoužívajte, pokiaľ nie sú všetky komponenty správne namontované a nastavené.
3. Všetko montážne príslušenstvo by malo byť vždy riadne utiahnuté.
4. Vyvarujte sa riziku otvoreného ohňa a iných zdrojov silného tepla v blízkosti výrobku.
5. Vyvarujte sa riziku naklonenia, keď dieťa dokáže tlačiť nohami o stôl alebo inú konštrukciu.
6. **VAROVANIE:** Stoličku nepoužívajte, ak je niektorá časť poškodená, roztrhnutá alebo chýba.
7. Nepoužívajte iné príslušenstvo alebo náhradné diely ako tie, ktoré boli schválené výrobcom.
8. Aby ste predišli zraneniu, pri montáži alebo demontáži stoličky držte deti mimo dosahu.
9. **NEUMIESTŇUJTE** tento výrobok do blízkosti okna, pretože ho dieťa môže použiť ako schodík a z okna vypadnúť.
10. **NEUMIESTŇUJTE** tento výrobok do blízkosti okna, kde by šnúry od žalúzií alebo závesov mohli uškrtiť dieťa.
11. Stolička bez príslušenstva je v súlade s normou EN17191:2021.
12. Stolička bez príslušenstva je vhodná pre dieťa od 3 do 14 rokov.
13. Stoličku nepoužívajte ako stupienok.

14. Niektoré typy povrchov môžu byť citlivé na odieranie. Používateľ nesie zodpovednosť za rozhodnutie, či je Bugaboo Giraffe vhodný pre jeho podlahu.

## NA POUŽITIE S PRÍSLUŠENSTVOM

15. Dieťa nikdy nenechávajte bez dozoru.  
 16. NEBEZPEČENSTVO PÁDU: Zabráňte dieťaťu, aby na výrobok liezlo.  
 17. Vždy používajte záchytný systém.  
 18. Keď sa dieťa začne pokúšať posadiť, novorodeneckú súpravu prestaňte používať.  
 19. Stoličku s detskou súpravou nepoužívajte, kým dieťa nedokáže samostatne sedieť.  
 20. Stolička s detskou súpravou je určená pre deti schopné sedieť bez pomoci a do 3 rokov alebo do maximálnej hmotnosti 15 kg, v závislosti od podmienky, ktorá nastane ako prvá.

## Záruka výrobcu

Výrobca, ktorým je spoločnosť Bugaboo International BV, so sídlom v Amsterdame (ďalej len "Bugaboo"), dodáva výrobok Bugaboo v rámci záruky. Úplné záručné podmienky nájdete na [bugaboo.com](http://bugaboo.com). Ak ste si výrobok zakúpili priamo od spoločnosti Bugaboo, môžete kontaktovať náš tím zákazníckej podpory prostredníctvom online kontaktného formulára ([www.bugaboo.com/support](http://www.bugaboo.com/support)). Ak ste výrobok zakúpili na jednom z našich oficiálnych predajných miest, ak chcete podať reklamáciu v rámci záruky výrobcu, najprv sa obráťte na svojho predajcu.

## Zákaznícky servis

Ak máte nejakú otázku, možno nájdete odpoveď na našej webovej stránke [www.bugaboo.com](http://www.bugaboo.com). Ak potrebujete kontaktovať náš medzinárodný servisný tím, vždy sa vám radi ozve! Sme vám k dispozícii, aby sme vám odpovedali na akékoľvek otázky, záujmy alebo pripomienky týkajúce sa našich produktov a služieb. Neváhajte nás kontaktovať. Vaša spätná väzba nám pomáha ďalej naše produkty a služby zlepšovať.

Náš tím zákazníckej podpory môžete kontaktovať prostredníctvom online kontaktného formulára ([www.bugaboo.com/support](http://www.bugaboo.com/support)).

# Vodič za ergonomsko sedenje

**Sedež in stopničko za noge Bugaboo Giraffe je mogoče povsem enostavno prilagoditi brez uporabe orodja, z enostavnim pomikom in zaskočitvijo.**

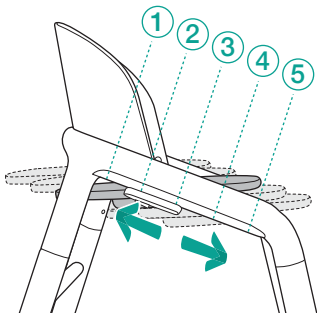
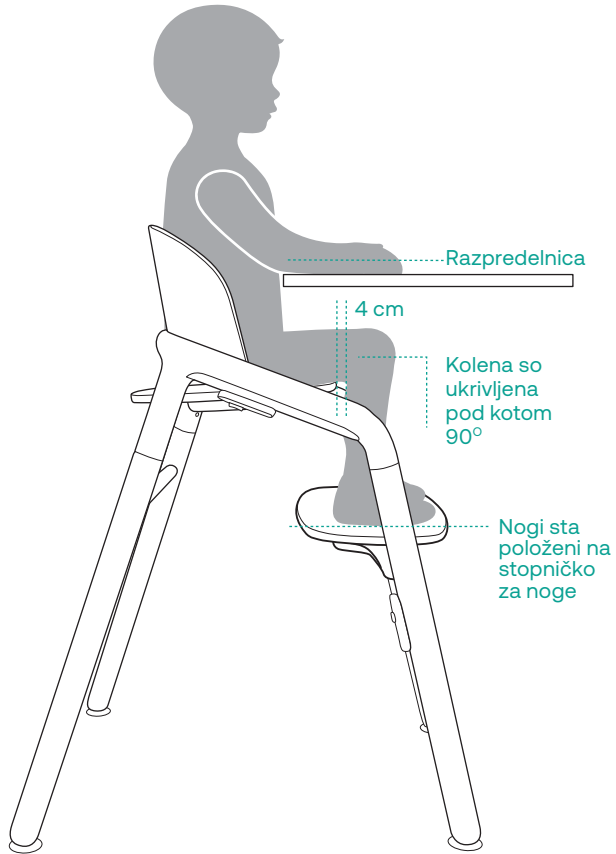
Ergonomski način sedenja zajema naslednje:

- Pri sedenju pokončna drža ob naslonjalu;
- Komolci se dotikajo mize;
- kolena so ukrivljena pod kotom  $90^\circ$
- Nogi sta položeni na stopničko za noge;
- Razmak (4 cm) med nogama in sedežem za največjo mero udobja.

*Stol prilagajajte le, ko v njem nihče ne sedi.*

## Nasvet

Če se med sedenjem stopala že dotikajo tal, lahko stopničko za noge skrijete tako, da jo potisnete v najvišji položaj in s tem zagotovite več prostora za noge. position to create more leg space.



## Sedeči položaji

- 1 Starost: 6 mesecev do 3 let s kompletom za dojenčke Bugaboo Giraffe
- 2-5 3-14 let
- 5 14+ let

Komplet za novorojenčke Bugaboo Giraffe je mogoče povezavi z Bugaboo Giraffe, ne glede na to, v kakšnem položaju je sedež.

# Nasveti za čiščenje in vzdrževanje

Redno pregledujte in vzdržujte svoj izdelek Bugaboo.

Poskrbite, da je izdelek vedno čist.

- Očistite dele strojne opreme z mehko brisačo in mlačno vodo ter preostanek vode obrišite s suho krpo.
- Komplet za dojenčka Bugaboo Giraffe in pladenj je mogoče prati v pomivalnem stroju pri 65°C.
- Bodite previdni pri obarvani hrani; lahko vpliva na barvo otroškega kompleta in pladnja.

**POMEMBNO:** Pred pranjem vedno preverite, kaj piše na oznaki o tkanini.

- Vse tkanine so pralne pri 30°C.
- Preverite, ali so vse zadrge zapete.
- Po pranju varnostnega pasu obrišite zaponko in njene sponke s krpo.

Nekatere vrste tal so lahko občutljive na obrabo. Odgovornost uporabnika je, da se odloči, ali je Bugaboo Giraffe primeren za njihova tla.

## OPOZORILA in druge informacije o uporabi

**POMEMBNO – PRED UPORABO POZORNO PREBERITE NAVODILA IN JIH SHRANITE KOT NAPOTEK ZA V PRIHODNJE.**

### IZDELEK NA SPLOŠNO

1. Izdelek Bugaboo Giraffe in njeni sestavni deli so namenjeni uporabi v notranjih prostorih.
2. Izdelka ne uporabljaj, če vsi sestavni deli niso ustrezno nameščeni in pričvrščeni.
3. Vse montažne armature je treba vedno pravilno zategniti.
4. V bližini izdelka ne uporabljaj odprtega ognja ali drugih virov zelo močne toplote.
5. Izdelek se lahko nagne, če se otrok opre z nogami ob mizo ali katerikoli drug predmet.
6. OPOZORILO: Stola ne uporabljajte, če je kateri koli njegov del zlomljen, natrgan ali manjkajoč.
7. Ne uporabljajte dodatkov ali nadomestnih delov, ki jih ni odobril proizvajalec.
8. Z namenom izogiba poškodbam naj otroci pri sestavljanju in razstavljanju izdelka ne sodelujejo.
9. Izdelka NE POSTAVLJAJTE blizu okna, saj ga lahko otrok uporabi kot stopnice in posledično spleza in celo pade skozi okno.
10. Izdelka NE POSTAVLJAJTE v bližino okna, kjer so vrvice od žaluzij ali zavese, saj bi se s tem lahko otrok zadavil.
11. Stol brez dodatkov je skladen s standardom EN17191:2021.
12. Stol brez dodatkov je ustrezen za otroke v starosti med 3 in 14 let.
13. Stola ne uporabljajte kot pručke.

14. Nekatere vrste tal so lahko občutljive na obrabo. Odgovornost uporabnika je, da se odloči, ali je Bugaboo Giraffe primeren za njihova tla.

## ZA UPORABO S PRIPOMOČKI

15. Otroka nikoli ne puščajte nenadzorovanega  
 16. Nevarnost padca: Otrokom prepreči plezanje na izdelek.  
 17. Vedno uporabljajte sistem držal.  
 18. Ta izdelek prenehajte uporabljati takoj, ko se otrok začne dvigovati.  
 19. Stola ne uporabljajte v povezavi s kompletom za otroka, dokler otrok ni sposoben samostojnega sedenja.  
 20. Visoki stol s kompletom za dojenčke je namenjen samostojnemu in vzravnemu sedenju otrok v starosti do 3 let oz. s težo do 15 kg, kar koli nastopi prej.

## Proizvajalčeva garancija

Proizvajalec, Bugaboo International BV, ki ima svoj glavni kraj poslovanja v Amsterdamu ("Bugaboo"), dobavlja Bugaboo izdelek pod garancijo. Vsi garancijski pogoji so na voljo na spletni strani bugaboo.com. Če ste svoj izdelek kupili neposredno pri Bugaboo, se lahko obrnete na našo ekipo za podporo strankam s pomočjo našega spletnega kontaktnega obrazca ([www.bugaboo.com/support](http://www.bugaboo.com/support)). Če ste izdelek kupili na enem od naših uradnih prodajnih mest, se najprej obrnite na prodajalca, da pod garancijo tega proizvajalca oddate zahtevek.

## Pomoč strankam

Če imate vprašanje, lahko odgovor poiščete na našem spletnem mestu [www.bugaboo.com](http://www.bugaboo.com). Če se želite obrniti na našo mednarodno skupino za pomoč, bomo vedno veseli vaših vprašanj. Na voljo smo vam za odgovore na morebitna vprašanja, pomisleke ali pripombe, ki jih imate glede naših izdelkov in storitev. Obrnite se na nas. Povratne informacije so nam v pomoč pri nadaljnjem izboljševanju naših izdelkov in storitev.

Prek spletnega kontaktnega obrazca ([www.bugaboo.com/support](http://www.bugaboo.com/support)) lahko kontaktirate našo ekipo za pomoč strankam.

# Uputstvo za ergonomsko sedenje

**Bugaboo Giraffe sedište i oslonac za stopala mogu se podešavati bez alata, samo jednostavnim klikom i klizačem.**

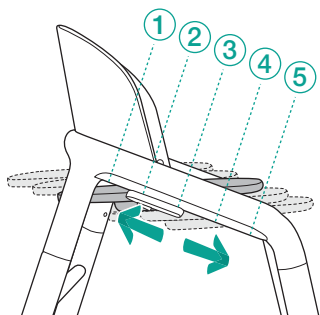
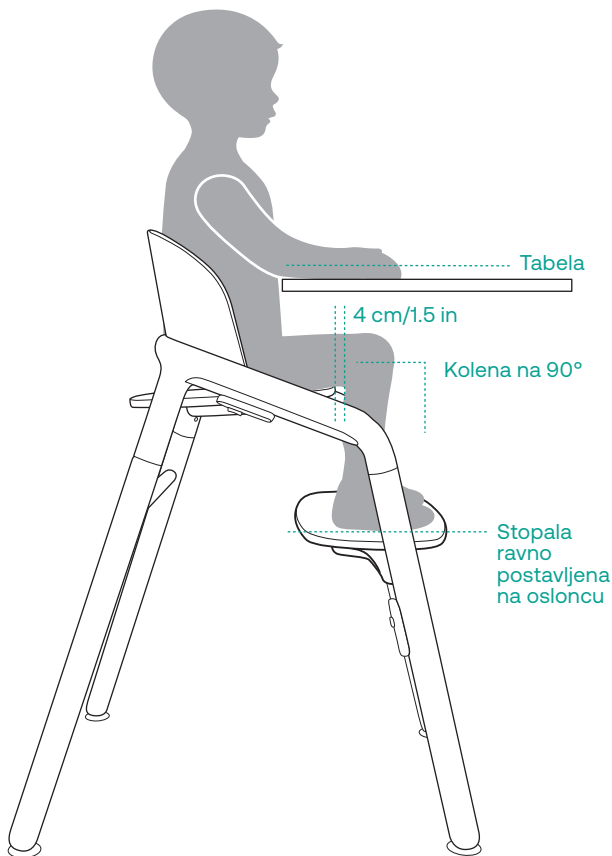
Pozicija ergonomskog sedenja znači:

- Uspravno sedenje sa osloncem za leđa
- Laktovi dodiruju sto
- Kolena savijena pod uglom od 90 stepeni
- Stopala ravno postavljena na osloncu
- Prostor (4 cm/1,5 in) između nogu i sedišta za maksimalni komfor

*Podešavajte stolicu samo kada niko ne sedi na njoj!*

## Savet

Ako stopala već dodiruju tlo prilikom sedenja, možete skloniti oslonac tako što ćete ga pomeriti u najviši položaj da biste stvorili više prostora za noge.



## Pozicije sedenja

- ① 6 meseci-3 godine sa Bugaboo Giraffe kompletom za bebe
- ②-⑤ 3-14 godina
- ⑤ 14+ godina

Komplet za novorođenčad Bugaboo Giraffe može biti povezan sa Bugaboo Giraffe sistemom bez obzira u kojoj poziciji se sedište nalazi.



# Uputstvo za čišćenje

Rutinski pregledajte i održavajte svoj Bugaboo proizvod.

Uvek održavajte proizvod čistim.

- Očistite delove hardvera mekim peškirom i mlakom vodom i obrišite preostalu vodu suvom krpom.
- Komplet za bebe i tačna Bugaboo Giraffe mogu da se peru u mašini za pranje posuđa na temperaturi do 65°C/149 F.
- Budite pažljivi sa obojenom hranom; to može uticati na boju tačne i kompleta za bebe.

**VAŽNO:** Uvek proverite etiketu za održavanje pre pranja.

- Svi materijali mogu da se peru u mašini na temperaturi 30°C/86 F.
- Proverite da li su svi spojevi pričvršćeni.
- Nakon pranja pojasa, obrišite krpom kopču i njene steznike.

Određene vrste podova mogu biti osetljive na grebanje. Odgovornost je korisnika da odluči da li je proizvod Bugaboo Giraffe pogodan za njihov pod.

## UPOZORENJA i druge informacije o korišćenju

**VAŽNO — PAŽLJIVO PROČITAJTE OVA UPUTSTVA PRE UPOTREBE I SAČUVAJTE ZA BUDUĆU REFERENCU.**

### OPŠTI PODACI O PROIZVODU

1. Proizvod Bugaboo Giraffe i njegove komponente namenjeni su za upotrebu u zatvorenom prostoru.
2. Ne koristite proizvod ako sve komponente nisu pravilno postavljene i podešene.
3. Svi montažni spojevi uvek treba da budu pravilno zategnuti.
4. Budite svesni rizika od otvorene vatre i drugih izvora jake toplote u blizini proizvoda.
5. Budite svesni rizika od naginjanja kada vaše dete može da se odgurne nogom o sto ili bilo koju drugu strukturu.
6. **UPOZORENJE:** Ne koristite stolicu ako je bilo koji deo polomljen, pocepan ili nedostaje.
7. Ne koristite dodatnu opremu ili zamenske delove koje nije odobrio proizvođač.
8. Da biste izbegli povrede, držite decu podalje kada sastavljate ili rastavljate stolicu.
9. **NEMOJTE** postavljati ovaj proizvod blizu prozora jer dete može da ga koristi kao stepenicu i na taj način da padne kroz prozor.
10. **NEMOJTE** postavljati ovaj proizvod blizu prozora gde kablovi od roletni ili zavesa mogu da dovedu do davljenja deteta.
11. Stolica bez dodatne opreme je usaglašena sa Uredbom EN17191:2021.
12. Stolica bez dodatne opreme je pogodna za decu starosti od 3 do 14 godina.

13. Nemojte koristiti stolicu kao stepenicu.
14. Određene vrste podova mogu biti osetljive na grebanje. Odgovornost je korisnika da odluče da li je proizvod Bugaboo Giraffe pogodan za njihov pod.

## **ZA UPOTREBU SA DODATNOM OPREMOM**

15. Nikada ne ostavljajte dete bez nadzora.
16. **OPASNOST OD PADANJA:** Sprečite da se dete penje na proizvod.
17. Uvek koristite sigurnosni sistem.
18. Prestanite da koristite komplet za novorođenče kada dete počne da pokušava da sedne.
19. Nemojte da koristite stolicu sa kompletom za bebe dok dete ne može da sedi bez pomoći.
20. Stolica sa setom za bebe namenjena je deci koja mogu da sede samostalno i do 3 godine starosti ili maksimalne težine do 15 kg, šta god nastupi prvo.

## **Garancija proizvođača**

Proizvođač Bugaboo International BV, čije je glavno sedište poslovanja u Amsterdamu („Bugaboo“), isporučuje Bugaboo proizvod pod garancijom. Kompletne uslove garancije možete pronaći na [bugaboo.com](http://bugaboo.com). Ako ste proizvod kupili direktno od Bugaboo-a, našem timu za korisničku podršku možete se obratiti putem onlajn formulara za kontakt ([www.bugaboo.com/support](http://www.bugaboo.com/support)). Ako ste proizvod kupili na nekom od naših zvaničnih prodajnih mesta, prvo kontaktirajte prodavca i podnesite zahtev u skladu sa ovom garancijom proizvođača.

## **Korisnički servis**

Ako imate pitanje, možda ćete moći da pronađete odgovor na našoj veb stranici [www.bugaboo.com](http://www.bugaboo.com). Ako želite da kontaktirate naš međunarodni tim za podršku, biće nam zadovoljstvo da nam se obratite! Na raspolaganju smo da odgovorimo na sva pitanja, nedoumice ili komentare koje imate u vezi sa našim proizvodima i uslugama. Ne oklevajte da nas kontaktirate. Vaše povratne informacije nam pomažu da dodatno poboljšamo naše proizvode i usluge.

Našem timu za korisničku podršku možete se obratiti putem našeg onlajn obrasca za kontakt ([www.bugaboo.com/support](http://www.bugaboo.com/support)).

Ovde navedene informacije podložne su promenama bez prethodnog upozorenja. Kompanija Bugaboo International BV neće biti odgovorna za tehničke greške ili propuste sadržane u ovom dokumentu. Kupljeni proizvod može se razlikovati od proizvoda opisanog u ovom uputstvu za upotrebu. Naša najnovija korisnička uputstva možete zatražiti u našim odeljenjima za korisničku podršku ili na [www.bugaboo.com](http://www.bugaboo.com).  
© 2023 Bugaboo International BV. BUGABOO, BUGABOO CAMELEON, BUGABOO BEE, BUGABOO DONKEY, BUGABOO FOX, BUGABOO TURTLE, BUGABOO ANT, BUGABOO LYNX, BUGABOO STARDUST, BUGABOO BUTTERFLY, BUGABOO OWL, BUGABOO DRAGONFLY, BUGABOO GIRAFFE i Bugaboo logotipi su registrovani žigovi. The Bugaboo® kolica za decu su patentirani proizvodi izproizvodi zaštićenog dizajna.

**Bugaboo Giraffe-sitsen och -fotstödet kan justeras utan verktyg. Du kan helt enkelt klicka och skjuta.**

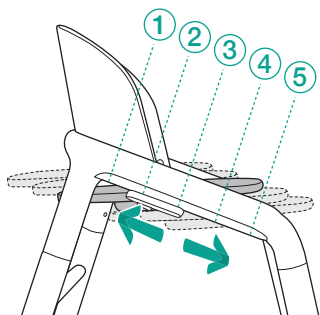
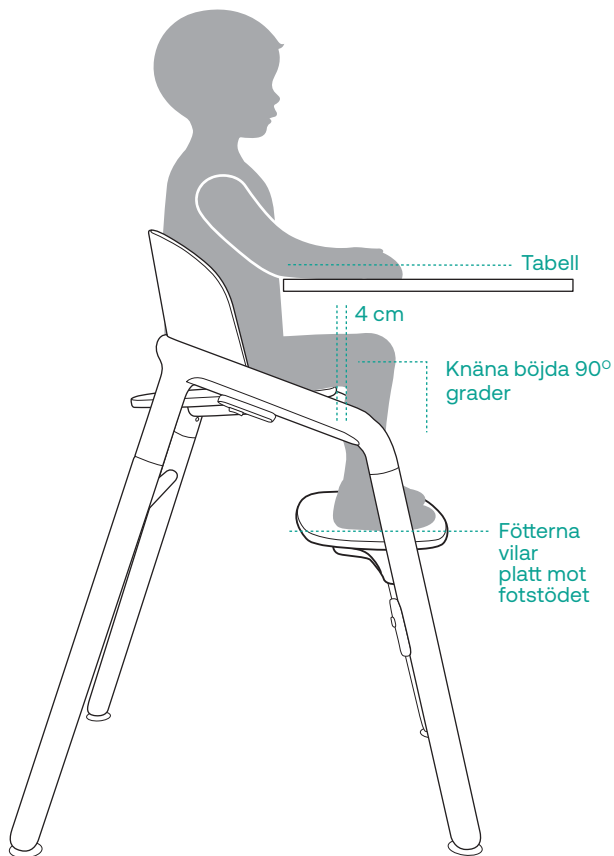
En ergonomisk sittande position innebär:

- Att sitta rakt mot ryggstödet
- Att armbågarna kan vila på bordet
- Att knäna böjs 90 grader
- Att fötterna vilar platt på fotstödet
- Utrymme (4 cm) mellan benen och sitsen för maximal komfort

*Stolen ska endast justeras när ingen sitter i den!*

## Tips

Om fötterna redan vilar på golvet i sittande position kan du dölja fotstödet genom att skjuta det till högsta möjliga position för att frigöra mer utrymme för benen.



## Sitsens positioner

- ① 6 månader till 3 år med Bugaboo Giraffe-babyset
- ②-⑤ 3 till 14 år
- ⑤ 14+ år

Bugaboo Giraffe-setet för nyfödd kan fästas på Bugaboo Giraffe oberoende av sitsens position.

# Tips om rengöring och underhåll

Inspektera och underhåll din Bugaboo-produkt regelbundet.

Håll alltid produkten ren.

- Rengör basen med en mjuk handduk och ljummet vatten. Torka sedan av resterande vatten med en torr trasa.
- Bugaboo Giraffe-babysset och -bricka kan diskas i diskmaskin upp till 65°C.
- Var försiktig med färgade livsmedel. Färgen på barnstolen och brickan kan påverkas av det.

**VIKTIGT:** Kontrollera alltid tvättråden före tvätt.

- Alla tyger kan tvättas i tvättmaskin vid 30°C.
- Se till att alla spännen är fastspända.
- När du har tvättat selen måste spännet och klämmorna torkas med en trasa.

Vissa typer av golv kan vara känsliga för repor. Det är användarens ansvar att avgöra om Bugaboo Giraffe lämpar sig för golvet där den används.

## **VARNINGAR** och övrig användarinformation

**VIKTIGT – LÄS ANVISNINGARNA NOGA FÖRE ANVÄNDNING. SPARA DEM FÖR FRAMTIDA BRUK.**

### PRODUKTEN I ALLMÄNHET

1. Bugaboo Giraffe och dess komponenter ska användas inomhus.
2. Använd inte produkten om inte alla delar är korrekt monterade och justerade.
3. Vid montering ska alla komponenter dras åt ordentligt.
4. Var uppmärksam på risken om öppen eld eller andra heta värmekällor finns i närheten av produkten.
5. Var uppmärksam på risken för att produkten kan välta om ditt barn trycker fötterna mot ett bord eller något annat föremål.
6. **VARNING:** Använd inte stolen om någon del är trasig, skadad eller saknas.
7. Använd inte tillbehör eller reservdelar som inte har godkänts av tillverkaren.
8. För att undvika skada bör du montera eller ta isär stolen utom räckhåll för barn.
9. PLACERA EJ produkten nära ett fönster då barnet kan använda stolen som en stega och falla ut från fönstret.
10. PLACERA EJ produkten nära ett fönster med rullgardins- eller gardinsnören som kan strypa barnet.
11. Stolen utan tillbehör uppfyller standard EN17191:2021.
12. Stolen utan tillbehör lämpar sig för barn från 3 till 14 år.
13. Använd inte stolen som fotpall.
14. Vissa typer av golv kan vara känsliga för repor. Det är användarens ansvar att avgöra om Bugaboo Giraffe lämpar sig för golvet där den används.

## VID ANVÄNDNING MED TILLBEHÖR

15. Lämna aldrig barnet utan uppsikt
16. Fallrisk: Hindra ditt barn från att klättra på produkten.
17. Använd alltid bältesystemet
18. Sluta använda setet för nyfödda när barnet börjar försöka sitta upp.
19. Använd inte stolen med setet för bebis innan barnet kan sitta upp utan stöd.
20. Stolen med set för bebis har designats för barn som kan sitta upp utan stöd, upp till 3 år eller 15 kg i vikt (det som inträffar först).

## Begränsad tillverkargaranti

Tillverkaren, Bugaboo International BV ("Bugaboo"), med sin huvudsakliga verksamhet i Amsterdam, tillhandahåller Bugaboo-produkten med garanti. Kompletta garantivillkor kan läsas på [bugaboo.com](http://bugaboo.com). Om du har köpt din produkt direkt från Bugaboo, kan du kontakta vår kundtjänst genom vårt kontaktformulär på nätet ([www.bugaboo.com/support](http://www.bugaboo.com/support)). Om du har köpt din produkt från ett av våra officiella försäljningsställen, ska du först kontakta din återförsäljare för att lämna in ditt anspråk under denna återförsäljares garanti.

## Kundtjänst

Om du har en fråga kan du ofta hitta svaret på vår hemsida [www.bugaboo.com](http://www.bugaboo.com).

Om du behöver ytterligare hjälp är du varmt välkommen att kontakta vårt internationella serviceteam, vi bara glada över att höra av dig! Vi hanterar alla frågor, bekymmer och kommentarer du kan ha om våra produkter och tjänster, tveka inte att kontakta oss. Era kommentarer hjälper oss att förbättra våra produkter och tjänster ännu mer.

Du kan kontakta vår kundsupport genom att använda vårt onlinekontaktformulär ([www.bugaboo.com/support](http://www.bugaboo.com/support)).

# Ergonomik oturma kılavuzu

**Bugaboo Giraffe'in koltuğu ve ayak dayanağı, herhangi bir alet kullanılmadan, sadece basit bir tıklama ve kaydırma ile ayarlanabilir.**

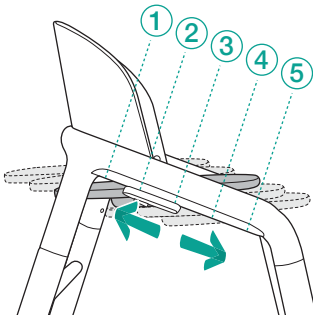
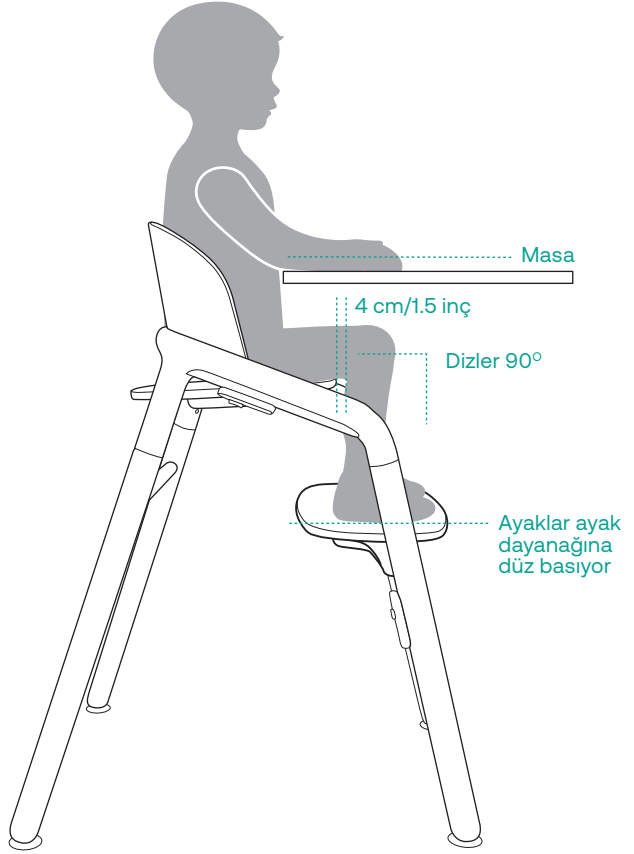
Ergonomik bir oturma pozisyonu şu anlama gelir:

- Sırtlığa dayanarak dik oturmak
- Dirsekler masa ile temas halinde
- Dizler 90° katlanmış
- Ayaklar ayak dayanağına düz basıyor
- Maksimum konfor için bacaklar ve koltuk arasındaki boşluk (4 cm / 1.5 inç)

*Sandalyeyi sadece üzerinde kimse oturmadığında ayarlayın!*

## Pratik bilgi

Otururken ayaklar zaten yere değiyorsa, daha fazla bacak alanı oluşturmak için ayaklığı en yüksek konuma kaydırarak gizleyebilirsiniz.



## Oturma pozisyonları

- 1 6 ay - 3 yaş  
Bugaboo Giraffe bebek seti ile
- 2-5 3 ila 14 yaş
- 5 14 yaş ve üzeri

Bugaboo Giraffe yenidoğan seti, koltuk hangi konumda olursa olsun Bugaboo Giraffe'a takılabilir.

# Temizlik ve bakım ipuçları

Bugaboo ürününüzü düzenli olarak kontrol edin ve bakımını yapın.

Ürünü her zaman temiz tutun.

- Donanım parçalarını yumuşak bir havlu ve ılık suyla temizleyin ve kalan suyu kuru bir bezle silin.
- Bugaboo Zürafa bebek seti ve tepsisi, 65 °C'ye kadar bulaşık makinesinde yıkanabilir.
- Renkli besin maddelerine dikkat edin; bebek takımı ve tepsinin rengi etkilenebilir.

**ÖNEMLİ:** Yıkamadan önce daima kumaş etiketini kontrol edin.

- Tüm kumaşlar 30 °C'de çamaşır makinesinde yıkanabilir.
- Tüm bağlantı noktalarının kapalı olduğundan emin olun.
- Kemerli yıkadıktan sonra lütfen tokayı ve klipslerini bir bezle silin.

Bazı zemin türleri aşınmaya karşı hassas olabilir. Bugaboo Giraffe'in döşemeleri için uygun olup olmadığına karar vermek kullanıcının sorumluluğundadır.

## UYARILARI ve diğer kullanım bilgileri

**ÖNEMLİ — KULLANIMDAN ÖNCE BU TALİMATLARI DİKKATLİCE OKUYUN VE İLERİDE BAŞVURMAK ÜZERE SAKLAYIN.**

### ÜRÜNÜN GENEL ÖZELLİKLERİ

1. Bugaboo Zürafa ve bileşenleri iç mekanlarda kullanılmak üzere tasarlanmıştır.
2. Tüm bileşenler doğru şekilde takılmadan ve ayarlanmadan ürünü kullanmayın.
3. Tüm montaj parçaları her zaman uygun şekilde sıkılmalıdır.
4. Ürünün yakınında çıplak ateş ve diğer güçlü ısı kaynaklarının yarattığı riski unutmayın.
5. Çocuğunuz ayaklarını bir masaya veya başka bir yapıya yaslayıp ittiğinde devrilme riski olduğunu unutmayın.
6. UYARI: Herhangi bir parçası kırık, yırtık veya eksik ise sandalyeyi kullanmayın.
7. Üretici tarafından onaylanmamış aksesuarları veya yedek parçaları kullanmayınız.
8. Yaralanmaları önlemek için sandalyeyi monte ederken veya sökerken çocukları uzak tutun.
9. Çocuk tarafından basamak olarak kullanılabilmesi ve çocuğun camdan düşmesine neden olabileceği için bu ürünü pencere yakınına KOYMAYIN.
10. Bu ürünü, jaluzi veya perde iplerinin çocuğun boğulmasına neden olabileceği bir pencere yakınına KOYMAYIN.
11. Aksesuarsız sandalye EN17191:2021 ile uyumludur.
12. Aksesuarsız sandalye 3-14 yaş arası çocuklar için uygundur.
13. Sandalyeyi basamak olarak kullanmayın.

14. Bazı zemin türleri aşınmaya karşı hassas olabilir. Bugaboo Giraffe'in döşemeleri için uygun olup olmadığına karar vermek kullanıcının sorumluluğundadır.

### **AKSESUARLAR İLE KULLANIM İÇİN**

15. Asla çocuğunuzu gözetimsiz bırakmayın  
16. DÜŞME TEHLİKESİ: Çocuğunuzun ürüne tırmanmasını önleyin.  
17. Daima emniyet kemeri sistemini kullanın  
18. Çocuk oturmaya çalışmaya başladığında yenidoğan setini kullanmayı bırakın.  
19. Bebek setli sandalyeyi çocuk yardımsız oturabilecek duruma gelene kadar kullanmayın.  
20. Bebek setli sandalye, hangisinin önce gerçekleştiğine bağlı olarak 3 yaşına kadar veya en fazla 15 kg ağırlığa kadar yardımsız oturabilen çocuklar için tasarlanmıştır.

## **Üretici garantisi (yalnızca avrupa için)**

Ana merkezi Amsterdam'da ("Bugaboo") bulunan üretici Bugaboo International BV, Bugaboo ürününü garanti kapsamında tedarik etmektedir. Tam garanti koşulları bugaboo.com'da yer almaktadır. Ürününüzü doğrudan Bugaboo üzerinden satın aldıysanız, çevrimiçi iletişim formumuzu ([www.bugaboo.com/support](http://www.bugaboo.com/support)) kullanarak Müşteri Destek Ekibimizle iletişime geçebilirsiniz. Ürününüzü resmi satış noktalarımızdan birinden satın aldıysanız, bu üretici garantisi kapsamında bir talepte bulunmak için, önce satıcınızla iletişime geçmenizi rica ederiz.

## **Müşteri hizmetleri**

Sorularınızın cevapları için [www.bugaboo.com](http://www.bugaboo.com) web sitemizi ziyaret edebilirsiniz. İnternet sitemiz çocuk arabalarımız ve aksesuarlarımız ile ilgili talimatları ve diğer bilgileri (video) içerir. Uluslararası servis ekibimize ulaşmaya ihtiyaç duyarsanız, sizi dinlemekten daima mutlu oluruz. Ürünlerimize ve hizmetlerimize ilişkin sorularınızı, merak ettiklerinizi veya görüşlerinizi almayı bekliyoruz. Dilediğiniz zaman bizimle iletişime geçebilirsiniz. Geri bildiriminiz, ürünlerimizi ve hizmetlerimizi daha da geliştirmemize yardımcı olacaktır.

Çevrimiçi iletişim formumuzu ([www.bugaboo.com/support](http://www.bugaboo.com/support)) kullanarak Müşteri Destek Ekibimizle iletişime geçebilirsiniz.

Burada bulunan bilgiler, bildirim yapılmaksızın değıştirilebilir. Bugaboo International BV, burada bulunan teknik hatalardan veya ihmallerden sorumlu tutulamaz. Satın alınan ürünün, bu kullanıcı kılavuzunda tanımlanan biçimden farklılık gösterebilir. En güncel kullanıcı kılavuzlarımız hizmet departmanımızdan veya [www.bugaboo.com](http://www.bugaboo.com) adresinden talep edilebilir.

© 2023 Bugaboo International BV. BUGABOO, BUGABOO CAMELEON, BUGABOO BEE, BUGABOO DONKEY, BUGABOO FOX, BUGABOO TURTLE, BUGABOO ANT, BUGABOO LYNX, BUGABOO STARBUCKS, BUGABOO BUTTERFLY, BUGABOO OWL, BUGABOO DRAGONFLY, BUGABOO GIRAFFE ve Bugaboo logoları, tescilli ticari markalardır. Bugaboo® bebek arabaları patentlidir ve tasarımları korumalıdır.



20. הכסא עם הערכה לתינוקות נועד לילדים שמסוגלים לשבת בכוחות עצמם – עד גיל 3 או עד משקל מרבי של 15 ק"ג, המוקדם ביניהם.

## אחריות היצרן

היצרנית, חברת Bugaboo International BV, אשר המטה הראשי שלה ממוקם באמסטרדם ("Bugaboo"), מספקת את מוצרי Bugaboo תחת אחריות. תנאי האחריות המלאים זמינים באתר [bugaboo.com](http://bugaboo.com). אם המוצר נרכש ישירות מ-Bugaboo, ניתן לפנות לצוות תמיכת הלקוחות שלנו באמצעות הטופס המקוון ליצירת קשר ([www.bugaboo.com/support](http://www.bugaboo.com/support)). אם המוצר נרכש מאחת מנקודות המכירה הרשמיות שלנו, כדי להגיש תביעה במסגרת אחריות יצרן זו, תחילה יש לפנות למשווק.

## שירות לקוחות

אם יש לכם שאלות, ייתכן שהתשובה נמצאת באתר האינטרנט שלנו [www.bugaboo.com](http://www.bugaboo.com). אם עליכם ליצור קשר עם צוות השירות הבינלאומי, תמיד נשמח לעזור! אנחנו זמינים לענות על כל שאלה, בעיה או הערה לגבי המוצרים והשירותים שלנו. אל תהססו לפנות אלינו. המשוב שלכם עוזר לנו להמשיך לשפר את המוצרים והשירותים שלנו.

ניתן לפנות לצוות תמיכת לקוחות שלנו באמצעות הטופס המקוון ליצירת קשר ([www.bugaboo.com/support](http://www.bugaboo.com/support)).

5. היו מודעים לסכנה של הטיית הכסא במקום שילדכם יכול לדחוף ברגלים כנגד שולחן או מבנה אחר.
6. אזהרה: אין להשתמש בכסא אם חלק כלשהו שבו, קרוע או חסר.
7. אין להשתמש באביזרים או חלקים חלופיים אשר לא אושרו על ידי היצרן.
8. על מנת למנוע פציעה, יש להרחיק את הילדים מהמקום במהלך ההרכבה או הפירוק של הכסא.
9. אין להציב את המוצר ליד חלון, משום שילדים עלולים להשתמש בו לטיפוס, מה שעלול להוביל לנפילה מהחלון.
10. אין להציב את המוצר ליד חלון שילדים עלולים להיחנק מחוטים של תריסי הצללה או וילונות שמותקנים עליו.
11. הכסא ללא אביזרים תואם לתקן EN17191:2021.
12. הכסא ללא אביזרים מתאים לשימוש של ילדים בני 3 עד 14.
13. אין להשתמש בכיסא בתור סולם.
14. סוגים מסוימים של ריצוף עשויים להיות רגישים לשריטות. באחריות המשתמשים לקבוע אם ה-Bugaboo Giraffe מתאים לשימוש עם הריצוף שלהם.

### לשימוש עם אביזרים

15. בשום מקרה, אין להשאיר את הילד ללא השגחה.
16. סכנת נפילה: אין לאפשר לילד לטפס על המוצר.
17. יש להשתמש במערכת הריסון.
18. יש להפסיק את השימוש בערכת הילודים כשהילד מתחיל לנסות להתיישב.
19. אין להשתמש בכסא עם הערכה לתינוקות לפני שהילד מסוגל לשבת בכוחות עצמו.

# טיפים לניקוי ותחזוקה

כבדקו ותחזקו באופן שגרתי את מוצר Bugaboo שברשותכם.

יש לשמור על נקיון המוצר בכל עת.

- יש לנקות את החלקים הקשיחים במגבת רכה ומים פושרים ולנגב שרידי מים כלשהם במטלית יבשה.
- הערכה לתינוקות והמגש של Bugaboo Giraffe מתאימים לשיטה במדיח כלים, עד טמפרטורה של 65°C.
- אנא היו זהירים כאשר מדובר באוכל צבעוני שכן הוא עלול להשפיע על הצבע של ערכת התינוק והמגש.

חשוב: יש לבדוק תמיד את תווית הבד לפני הכביסה.

- ניתן לכבס את כל הבדים במכונה בטמפרטורה של 30 מעלות צלזיוס.
- יש לוודא שכל התפסנים מחוברים.
- אחרי שטיפת הריתמה, אנא נגבו את האבזם ואת הקליפים שלו במטלית.
- סוגים מסוימים של ריצוף עשויים להיות רגישים לשריטות. באחריות המשתמשים לקבוע אם ה-Bugaboo Giraffe מתאים לשימוש עם הריצוף שלהם.

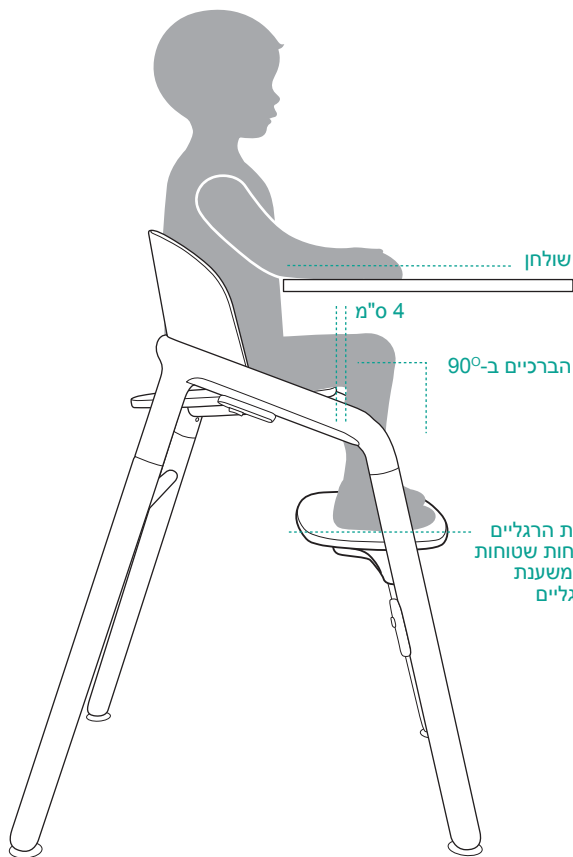
## ⚠ אזהרות ומידע נוסף לגבי השימוש

חשוב! יש לקרוא בקפידה ולשמור לשימוש עתידי.

המוצר באופן כללי

1. כסא Bugaboo Giraffe ורכיביו נועדו לשימוש בתוך מבנים סגורים.
2. יש להשתמש במוצר רק אחרי שכל הרכיבים הורכבו והותאמו בצורה נכונה.
3. תמיד יש להדק כהלכה את כל חלקי המכלול.
4. היו מודעים לסכנה של אש פתוחה ומקורות אחרים של חום גבוה בקרבת המוצר.

# מדריך לישיבה ארגונומית



אפשר לכוון את המושב ומשענת הרגליים של Bugaboo Giraffe ללא צורך בכלים מיוחדים, באמצעות לחיצה והחלקה בלבד.

מנח ישיבה ארגונומי משמעותי:

- ישיבה זקופה בצמוד למשענת הגב
- המרפקים נוגעים בשולחן
- הברכיים מכופפות בזווית של  $90^\circ$
- כפות הרגליים מונחות שטוחות על משענת הרגליים
- יש רווח (4 ס"מ) בין הרגליים והמושב, לנחות מרבית

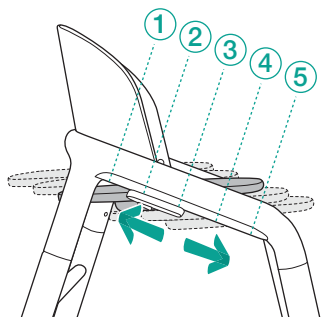
כוון הכיסא יתבצע רק כשהוא ריק!

## טיפ

אם כפות הרגליים כבר נוגעות בקרקע כשיושבים בכיסא, אפשר להסתיר את משענת הרגליים על-ידי הסתתה למיקום הגבוה ביותר, ליצירת יותר מקום לרגליים.

## מיקומי המושב

- 1 6 חודשים עד 3 שנים עם ערכת Bugaboo Giraffe לתינוקות
  - 2-5 3-14 שנים
  - 5 14 שנים ומעלה
- אפשר לחבר את ערכת Bugaboo Giraffe לילודים לכיסא Bugaboo Giraffe ללא תלות במנח של המושב.



- יש להיות מודעים לסיכון של התנדנדות כשהילד יכול לדחוף את רגליו כנגד השולחן או כנגד כל מבנה אחר
- אין להשתמש במוצר עד שהילד יוכל להתיישב ללא עזרה
- אין להשתמש במוצר אם חלק כלשהו שבור, קרוע או חסר.
- המוצר מיועד לילדים המסוגלים לשבת ללא סיוע ועד 3 שנים או משקל מקסימלי של 15 ק"ג

# חשוב ! יש לקרוא בקפידה ולשמור לשימוש עתידי.

## אזהרה

- אין להשאיר את הילד ללא השגחה
- יש להשתמש תמיד במערכת הריסון  
(לדוגמא חגורת בטיחות)
- סכנת נפילה: יש למנוע מהילד לטפס  
על המוצר
- אין להשתמש במוצר אלא אם כל  
הרכיבים הותקנו וכווננו כראוי
- יש להיות מודעים לסיכון של אש  
גלויה ושל מקורות חום חזקים אחרים  
בקרבת המוצר



**Bugaboo Europe & Asia**

Bugaboo International B.V.  
Paasheuvelweg 9 a-b  
1105 BE Amsterdam  
The Netherlands

**Bugaboo UK Limited (07785001)**

Unit 3 & 4 Riverside Barns  
Remenham Lane  
Remenham, Henley-On-Thames  
RG9 3DB  
England

**Bugaboo Australia Pty Ltd.**

Level 10, 68 Pitt Street,  
Sydney NSW 2000  
Australia

**Bugaboo Russia**

ООО Бугабу Рус, 121471,  
улица Рябиновая, дом 26, стр.1  
город Москва

יצרן: בוגבו אינטרנשיונל- הולנד

מיוצר בסין.  
יבואן: אי.בי.בי.ג'י בע"מ.  
משכית 14 הרצליה

[www.bugaboo.com](http://www.bugaboo.com)